

Parts Catalog

FARMTRAC

TRACTOR FARMTRAC 25G AG 4WD

Escorts Agri Machinery

TABLE INDEX

Sr No.	Table Name	Table No.	Page No.
1	FRONT AXLE SUBASSEMBLY	1	1-2
2	FRONT AXLE ASSEMBLY	2	3-4
3	HOUSING ASSEMBLY SWIVEL FRONT AXLE RH WITH HARDWARE SUBASSEMBLY (4WD COMPACT)	3	5-8
4	HOUSING ASSEMBLY SWIVEL FRONT AXLE LH WITH HARDWARE SUBASSEMBLY (4WD COMPACT)	4	9-12
5	PILLOW BLOCK SUBASSEMBLY FRONT	5	13-14
6	PILLOW BLOCK SUBASSEMBLY REAR	6	15-16
7	HOUSING ASSEMBLY FRONT AXLE CENTER BEAM SUBASSEMBLY	7	17-18
8	AXLE FRONT WITH CYLINDER AND LINK ASSEMBLY	8	19-20
9	COVER ASSEMBLY GUARD STEERING CYLINDER	9	21-22
10	TUBING POWER STEERING SUBASSEMBLY	10	23-24
11	WHEEL STEERING AND UNIT STEERING SUBASSEMBLY	11	25-26
12	COVER AND SUPPORT FRONT AXLE SUB ASSEMBLY	12	27-28
13	WHEEL AND TYRE ASSEMBLY FRONT 5.20x14 (M/s BKT DEEP LUG)	13	29-30
14	LINKAGE ASSEMBLY THROTTLE CONTROL	14	31-32
15	HOUSING TRANSMISSION ASSEMBLY ELECTRIC	15	33-34
16	PLATE AND RETAINER ASSEMBLY INPUT TRANSMISSION	16	35-36
17	DRIVE TRAIN INPUT ASSEMBLY	17	37-38
18	SHAFT DRIVING SECONDARY CONSTANT MESH ASSEMBLY	18	39-40
19	DRIVE TRAIN OUTPUT ASSEMBLY	19	41-42
20	DRIVE TRAIN 4WD ASSEMBLY ELECTRIC	20	43-44
21	CLUTCH WET PTO SUBASSEMBLY ELECTRIC	21	45-46
22	PLATE INTERMEDIATE TRANSMISSION ASSEMBLY (Z-24)	22	47-48
23	GEAR DRIVE TRAIN RANGE ASSEMBLY (9+3)	23	49-50
24	RANGE GEAR SHIFTING ASSEMBLY (COMPACT)	24	51-52
25	HOUSING REAR AXLE CENTRE SUBASSEMBLY (9+3)	25	53-54
26	GEAR AND DIFFERENTIAL REAR AXLE SUBASSEMBLY	26	55-56
27	DIFFERENTIAL LOCK SUBASSEMBLY	27	57-58
28	RETAINER BEARING DIFFERENTIAL SUBASSEMBLY LH	28	59-60
29	RETAINER BEARING DIFFERENTIAL SUBASSEMBLY RH	29	61-62
30	HOUSING REAR AXLE RH SUBASSEMBLY	30	63-66

TABLE INDEX

Sr No.	Table Name	Table No.	Page No.
31	HOUSING REAR AXLE LH SUBASSEMBLY	31	67-68
32	DRIVE TRAIN PTO AND SHIFTING SUBASSEMBLY	32	69-70
33	TRANSMISSION ASSEMBLY DRESSED UP (REAR PTO)	33	71-72
34	HARDWARE BUCKLE UP TRANSMISSION AND REAR AXLE SUBASSEMBLY	34	73-74
35	HARDWARE BUCKLE UP MOTOR HOUSING AND SPEED HOUSING SUBASSEMBLY	35	75-76
36	LINKAGE ASSEMBLY DIFFERENTIAL LOCK CONTROL	36	77-78
37	LEVER PTO GEAR SHIFT SUBASSEMBLY	37	79-80
38	LEVER POSITION CONTROL SUBASSEMBLY	38	81-82
39	LEVER DRAFT CONTROL SUBASSEMBLY	39	83-84
40	LEVER CONTROL 2WD 4WD SUBASSEMBLY	40	85-86
41	LEVER RANGE HIGH LOW MEDIUM GEAR SHIFT SUBASSEMBLY	41	87-88
42	SHAFT PROPELLER AND COUPLING ASSEMBLY (4WD COMPACT ELECTRIC)	42	89-90
43	GUARD PROPELLER SHAFT SUBASSEMBLY	43	91-92
44	BRAKE LINKAGE SUBASSEMBLY	44	93-96
45	WHEEL AND TYRE ASSEMBLY REAR 8x18 (M/s BKT DEEP LUG)	45	97-98
46	HYDRAULIC CONTROL SUBASSEMBLY	46	99-100
47	CYLINDER PISTON AND VALVE SUBASSEMBLY (COMPACT)	47	101-102
48	POWER TRANSFER SUBASSEMBLY (COMPACT)	48	103-104
49	DRAFT SENSING SUBASSEMBLY (COMPACT)	49	105-106
50	CONTROL LINKAGES SUBASSEMBLY (COMPACT)	50	107-108
51	QUADRANT SUBASSEMBLY (COMPACT)	51	109-110
52	COVER HYDRAULIC SUBASSEMBLY (COMPACT)	52	111-112
53	PUMP HYDRAULIC LIFT AND MOTOR SUBASSEMBLY	53	113-114
54	TUBING HYDRAULIC SUCTION SUBASSEMBLY	54	115-116
55	TUBING HYDRAULIC PRESSURE SUBASSEMBLY	55	117-118
56	SPOOL VALVE ASSEMBLY (COMPACT ELECTRIC HST)	56	119-120
57	LINKAGE THREE POINT SUBASSEMBLY	57	121-122
58	SWINGING DRAWBAR SUB ASSEMBLY	58	123-124
59	HARDWARE BUCKLE UP ADAPTOR PLATE & BACKEND SUBASSEMBLY	59	125-126
60	BOX ELECTRONIC AND CONTROLLER SUBASSEMBLY	60	127-130

TABLE INDEX

Sr No.	Table Name	Table No.	Page No.
61	BOX BATTERY AND GUIDE RAIL SUBASSEMBLY	61	131-132
62	BATTERY CUTOFF SUBASSEMBLY	62	133-134
63	DASHBOARD LOWER AND BATTERY SIDE COVER SUB ASSEMBLY	63	135-136
64	ACCESSORIES SUBASSEMBLY (USA)	64	137-138
65	ELECTRICAL SUB ASSEMBLY	65	139-140
66	COVER CHARGER SUBASSEMBLY	66	141-142
67	HARNESS SUBASSEMBLY COMPACT ELECTRIC (USA)	67	143-144
68	SOCKET NORMAL CHARGING ASSEMBLY EU	69	145-146
69	LIGHT REAR SUB ASSEMBLY(USA)	70	147-148
70	MOTOR AND HOUSING SUBASSEMBLY	71	149-150
71	PLATE AND GUIDE RAIL ASSEMBLY BATTERY BOX	72	151-152
72	HOOD FRONT SUBASSEMBLY	73	153-156
73	FRAME HOOD FRONT ASSEMBLY	74	157-158
74	LATCH ASSEMBLY HOOD FRONT	75	159-160
75	HOOD REAR SUB ASSEMBLY	76	161-162
76	STRUT BONNET OPENING ASSEMBLY	77	163-164
77	FENDER SUBASSEMBLY	78	165-166
78	ROPS FOLDABLE SUBASSEMBLY COMPACT	79	167-168
79	BOARD RUNNING RH AND LH SUBASSEMBLY	80	169-170
80	SEAT DRIVER SUBASSEMBLY (EXPORT)	81	171-172
81	HANGER FRONT WEIGHT AND BOLT ASSEMBLY	82	173-174
82	DECAL AND BADGES MODEL IDENTIFICATION ASSEMBLY ELECTRIC (ALL VARIANTS)	83	175-176
83	DECAL AND BADGES (REAR PTO WITH AGRI TYRE 8*18)	84	177-178
84	DECAL AND BADGES MODEL IDENTIFICATION ASSEMBLY ELECTRIC (SOLETRACT-USA)	85	179-180
85	DECAL AND BADGES MODEL IDENTIFICATION ASSEMBLY ELECTRIC (USA)	86	181-182
86	DECAL AND BADGES MODEL IDENTIFICATION ASSEMBLY ELECTRIC (REAR SPOOL VALVE)	87	183-184
87	HYDRAULIC LIFT SUBASSEMBLY (COMPACT TRACTOR)	90	185-186

TABLE-1
FRONT AXLE SUBASSEMBLY

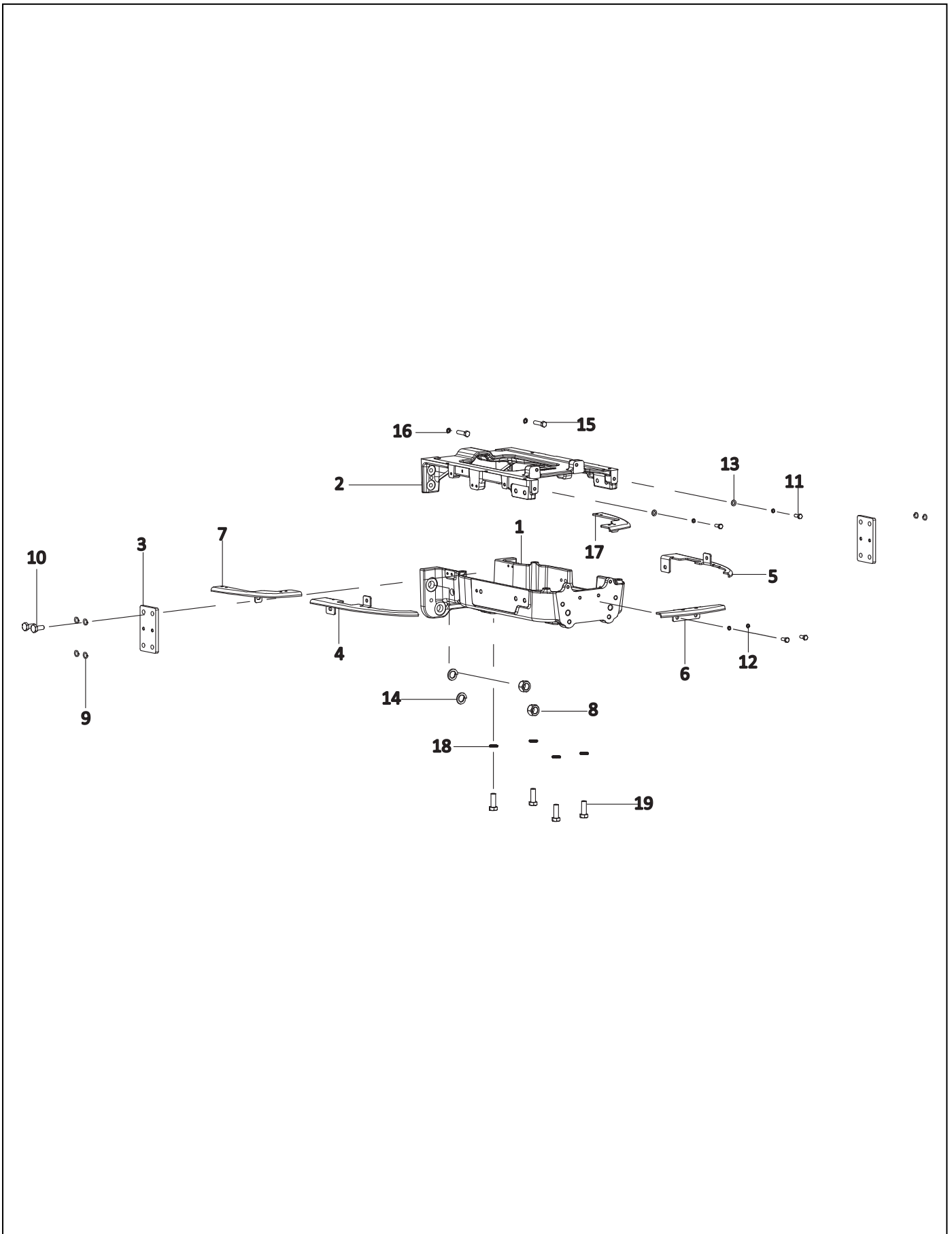


TABLE-1
FRONT AXLE SUBASSEMBLY

Fig. No.	Part No.	Description	Qty
1	D10916410AB.9	SUPPORT FRONT AXLE	1
2	D10916390AB.9	FRAME BATTERY BOX SUPPORT	1
3	D10916430AA.9	PLATE BATTERY BOX FRONT FRAME MOUNTING	2
4	D10916460AA.9	PLATE BONNET MOUNTING RH SUPPORT FRONT AXLE LOWER	1
5	D10916450AA.9	PLATE BONNET MOUNTING LH SUPPORT FRONT AXLE LOWER	1
6	D10916440AA.9	PLATE BONNET MOUNTING FRONT SUPPORT FRONT AXLE	1
7	D10916500AA.9	PLATE BONNET MOUNTING RH SUPPORT FRONT AXLE UPPER	1
8	D83500150.9	NUT M20X1.50-6P HEX	4
9	D86500020.9	WASHER M12 SPRING LOCK	8
10	D81501910.9	BOLT M12X1.75X30-10.9 HEX HEAD	8
11	D82500040.9	SCREW M8X1.25X20-8.8 HEX HEAD	8
12	D86500030AC.9	WASHER M8 SPRING LOCK	8
13	D85500050.9	WASHER M8 FLAT	4
14	D86500080.9	WASHER M20 SPRING LOCK	4
15	D81500610.9	BOLT M10X1.50X40-8.8 HEX HEAD	4
17	D10916510AA.9	PLATE BONNET MOUNTING RH SUPPORT FRONT AXLE UPPER	1
18	D85500520.9	WASHER M14 LOCK (NORD TYPE)	4
19	D81501630.9	BOLT M14X2.00X40-10.9 HEX HEAD	4

TABLE-2
FRONT AXLE ASSEMBLY

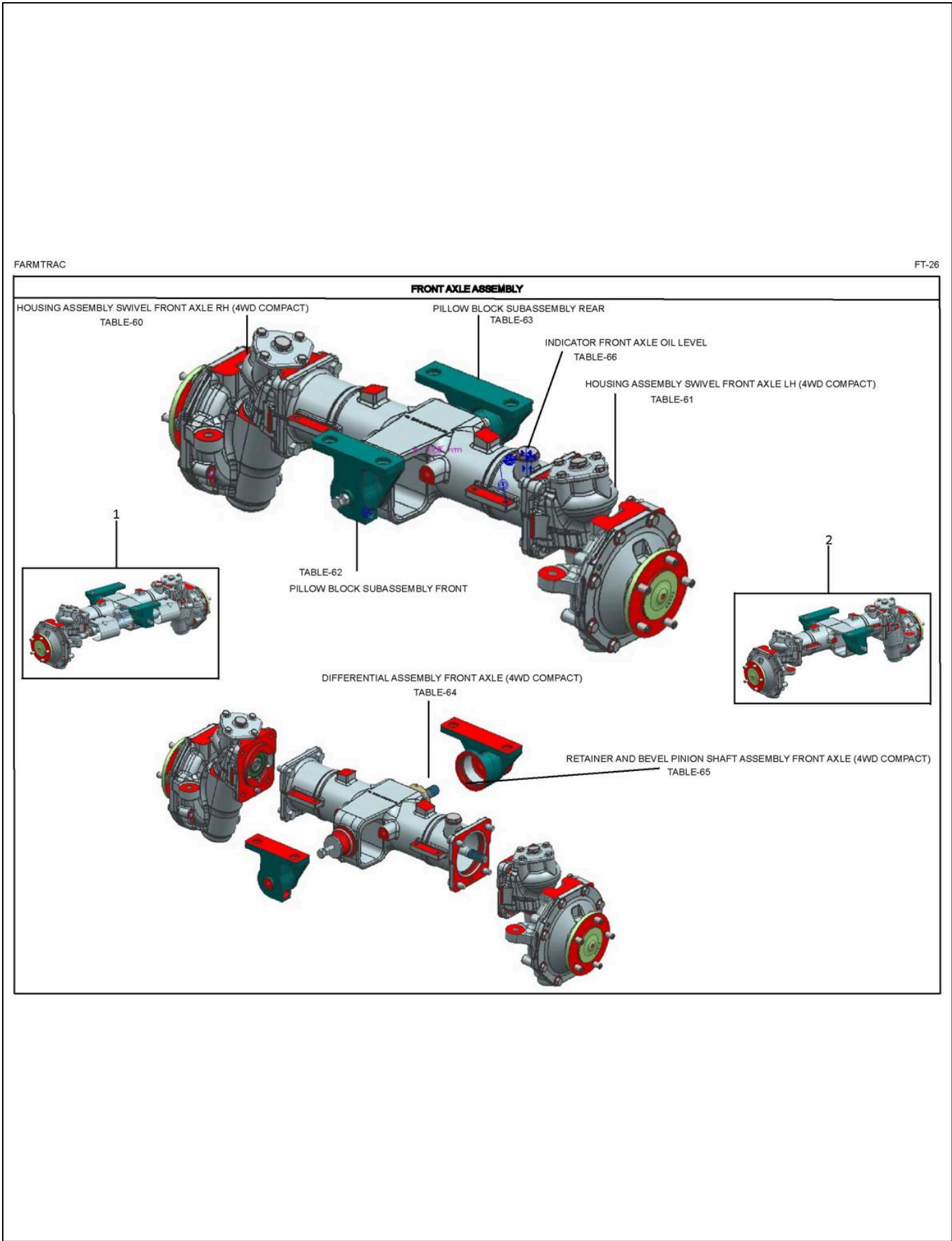


TABLE-2
FRONT AXLE ASSEMBLY

Fig. No.	Part No.	Description	Qty
1	D10471030.9	FRONT AXLE ASSEMBLY WITH CYLINDER AND GUARD ASSEMBLY(4WD COMPACT)	1
2	D10564460.9	AXLE FRONT ASSEMBLY 4WD COMPACT	1

TABLE-3
HOUSING ASSEMBLY SWIVEL FRONT AXLE RH WITH HARDWARE SUBASSEMBLY (4WD COMPACT)

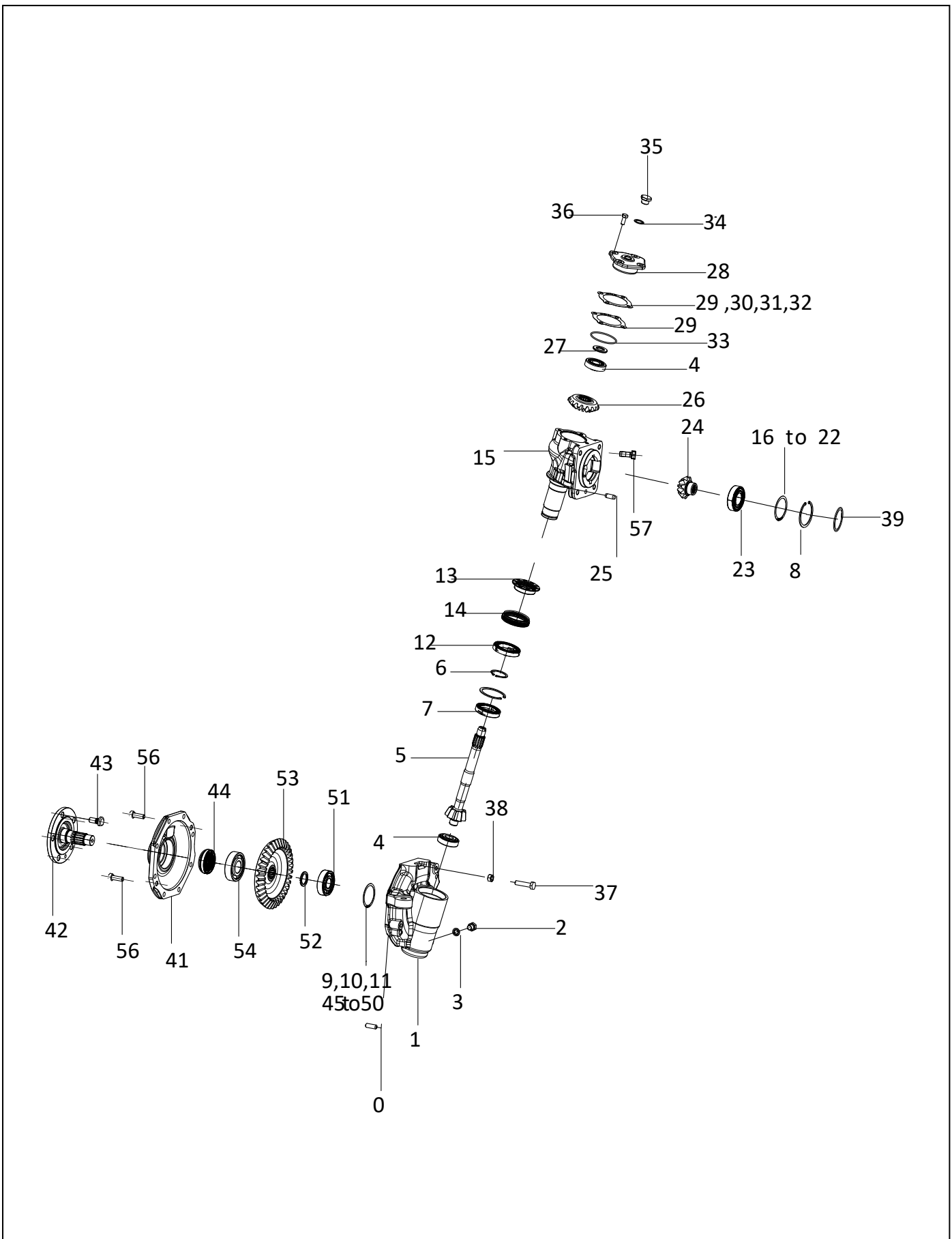


TABLE-3**HOUSING ASSEMBLY SWIVEL FRONT AXLE RH WITH HARDWARE SUBASSEMBLY (4WD COMPACT)**

Fig. No.	Part No.	Description	Qty
1	D10528120.9	HOUSING SWIVEL FRONT AXLE RH	1
2	D82501210.9	SCREW M12X1.75X12-8.8 HEX HEAD	1
3	D10161480.9	WASHER 12.0X22.0 SCREW RAIL	1
4	D10533270.9	BEARING TAPER ROLLER 30304	2
5	D10528100.9	SHAFT DRIVER BEVEL GEAR Z-9	1
6	D90000660.9	CIRCLIP A40X2.5 H	1
7	D10538670.9	BEARING BALL 6908	1
8	D90500410.9	CIRCLIP B62X2.0 N (IS 3075 PART-II)	2
9	D10542380.9	SHIM 60X50 (0.075 MM)	1
10	D10542390.9	SHIM 60X50 (0.2285 MM)	1
11	D10542400.9	SHIM 60.X50 (0.4065 MM)	1
12	D10538680.9	BEARING BALL 6909	1
13	D10550290.9	SLEEVE OIL SEAL SWIVEL HOUSING	1
14	D10550300.9	SEAL OIL SWIVEL HOUSING 52X70X10	1
15	D10528130.9	HOUSING KNUCKLE FRONT AXLE	1
16	D10542310.9	SHIM 61.8X51 (0.2285 MM)	1
17	D10542320.9	SHIM 61.8X51 (0.4065 MM)	1
18	D10542330.9	SHIM 61.8X51 (0.5335 MM)	1
19	D10542340.9	SHIM 61.8X51 (0.7875 MM)	1
20	D10542350.9	SHIM 61.8X51 (1 MM)	1
21	D10542360.9	SHIM 61.8X51 (1.2 MM)	1
22	D10542370.9	SHIM 61.8X51 (1.5 MM)	1
23	D10170200.9	BEARING BALL 6206	1
24	D11015950AA.9	GEAR DRIVER BEVEL KNUCKLE Z-10	1
25	D10159950.9	DOWEL POSITIONING 10X25	3
26	D11015940AA.9	GEAR DRIVEN BEVEL KNUCKLE Z-16	1
27	D85500450.9	WASHER 36.0X20.0X3.0	1
28	D10542450.9	COVER KNUCKLE HOUSING	1
29	D10544670.9	SHIM COVER KNUCKLE (0.075 MM)	1
30	D10544680.9	SHIM COVER KNUCKLE (0.125 MM)	1
31	D10544690.9	SHIM COVER KNUCKLE (0.2285 MM)	1
32	D10544700.9	SHIM COVER KNUCKLE (0.4065 MM)	1
33	D93601100.9	SEAL O RING 2.62X62.00	1
34	D10005880.9	WASHER M18 FLAT COPPER	1
35	D10006500.9	PLUG M18X1.5X12-6.8 HEX HEAD	1
36	D81500110.9	BOLT M8X1.25X20-8.8 HEX HEAD	4
37	D81503330.9	BOLT M10X1.50X45-8.8 HEX HEAD WITH ROUNDED TOP	1
38	D83500090.9	NUT M10X1.50-8 HEX	1
39	D10547400.9	SEAL O RING 3.53X95.0	1
40	D95000410.9	LOCTITE 574	AR

TABLE-3
HOUSING ASSEMBLY SWIVEL FRONT AXLE RH WITH HARDWARE SUBASSEMBLY (4WD COMPACT)

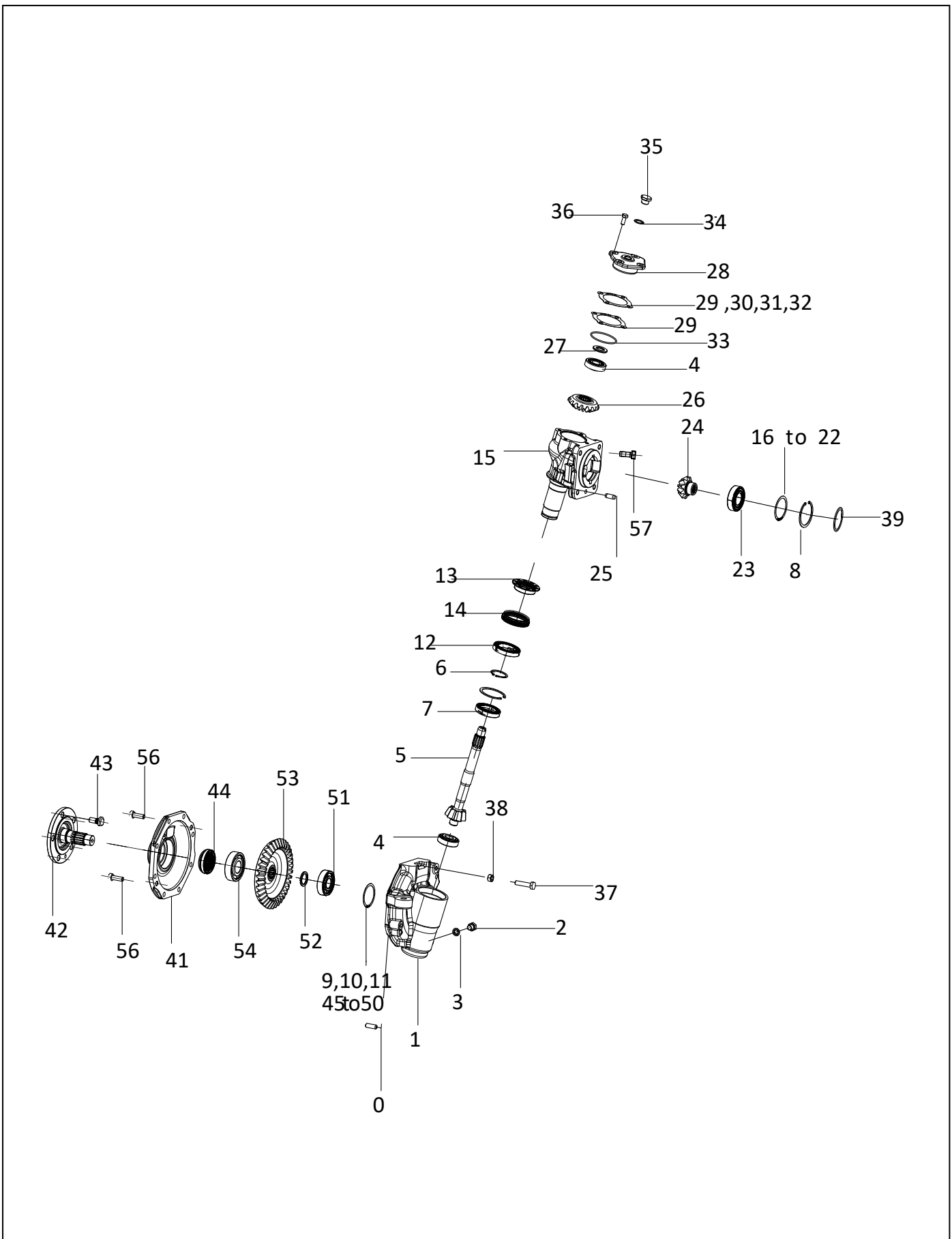


TABLE-3**HOUSING ASSEMBLY SWIVEL FRONT AXLE RH WITH HARDWARE SUBASSEMBLY (4WD COMPACT)**

Fig. No.	Part No.	Description	Qty
41	D10528080.9	HOUSING WHEEL FRONT AXLE	1
42	D10528070.9	SHAFT FRONT AXLE WHEEL	1
43	D10541620.9	BOLT M12X1.5 FRONT WHEEL HUB	5
44	D10452820AD.9	SEAL OIL 35X60X14.5 PTO OUTPUT SHAFT	1
45	D10537800.9	SHIM REAR AXLE SHAFT (0.075 MM)	1
46	D10537810.9	SHIM REAR AXLE SHAFT (0.125 MM)	1
47	D10537820.9	SHIM REAR AXLE SHAFT (0.2285 MM)	1
48	D10537830.9	SHIM REAR AXLE SHAFT (0.4065 MM)	1
49	D10537840.9	SHIM REAR AXLE SHAFT (0.5335 MM)	1
50	D10537850.9	SHIM REAR AXLE SHAFT (0.7875 MM)	1
51	D10533260.9	BEARING BALL 6306	1
52	D10542420.9	WASHER SPLIT WHEEL END	2
53	D10528090.9	GEAR DRIVEN BEVEL WHEEL Z-37	1
54	D10170170.9	BEARING BALL 6305	1
55	D95000410.9	LOCTITE 574	2
56	D81502320.9	BOLT M10X1.50X30-10.9 HEX HEAD	8
57	D82500610.9	SCREW M12X1.75X30-10.9	4

TABLE-4

HOUSING ASSEMBLY SWIVEL FRONT AXLE LH WITH HARDWARE SUBASSEMBLY (4WD COMPACT)

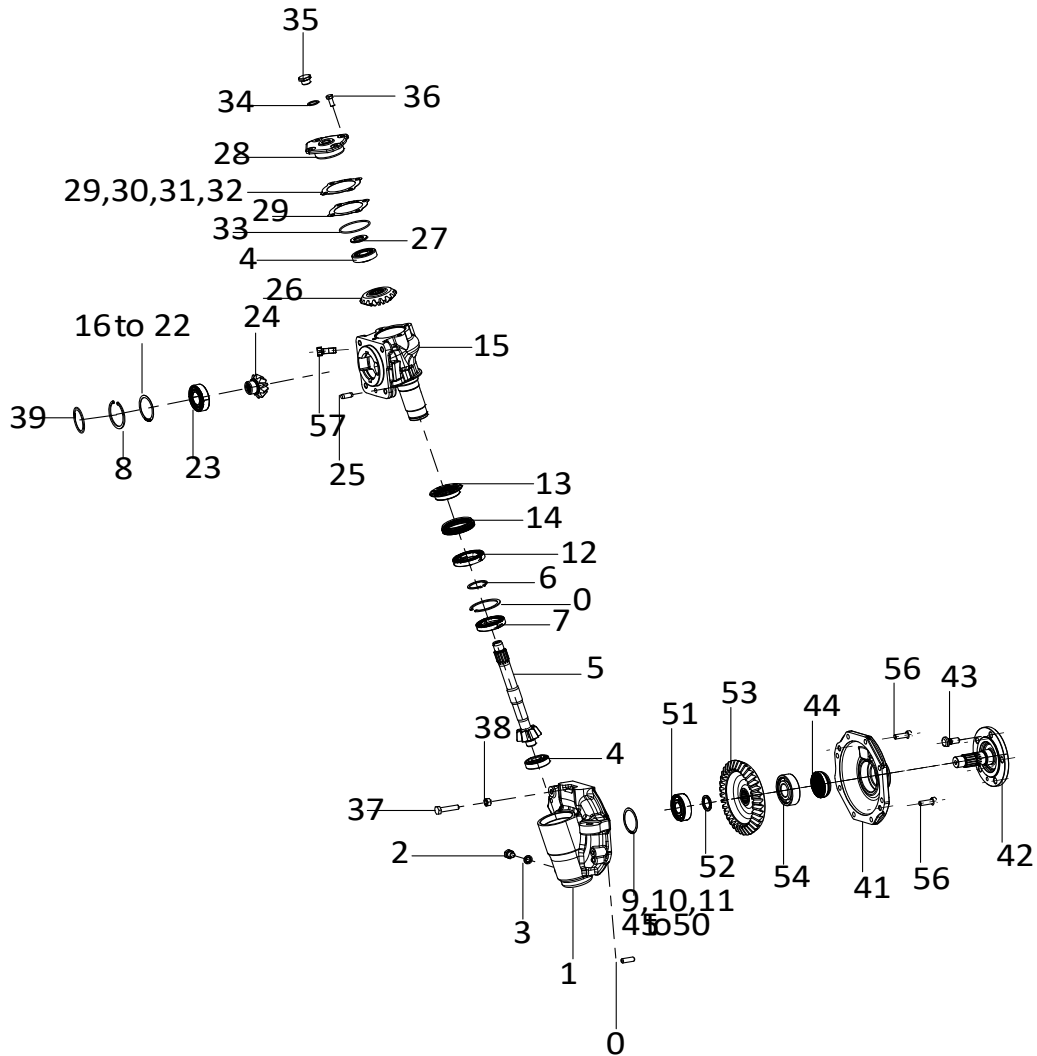


TABLE-4
HOUSING ASSEMBLY SWIVEL FRONT AXLE LH WITH HARDWARE SUBASSEMBLY (4WD COMPACT)

Fig. No.	Part No.	Description	Qty
1	D10528110.9	HOUSING SWIVEL FRONT AXLE LH	1
2	D82501210.9	SCREW M12X1.75X12-8.8 HEX HEAD	1
3	D10161480.9	WASHER 12.0X22.0 SCREW RAIL	1
4	D10533270.9	BEARING TAPER ROLLER 30304	2
5	D10528100.9	SHAFT DRIVER BEVEL GEAR Z-9	1
6	D90000660.9	CIRCLIP A40X2.5 H	1
7	D10538670.9	BEARING BALL 6908	1
8	D90500410.9	CIRCLIP B62X2.0 N (IS 3075 PART-II)	2
9	D10542380.9	SHIM 60X50 (0.075 MM)	1
10	D10542390.9	SHIM 60X50 (0.2285 MM)	1
11	D10542400.9	SHIM 60.X50 (0.4065 MM)	1
12	D10538680.9	BEARING BALL 6909	1
13	D10550290.9	SLEEVE OIL SEAL SWIVEL HOUSING	1
14	D10550300.9	SEAL OIL SWIVEL HOUSING 52X70X10	1
15	D10528130.9	HOUSING KNUCKLE FRONT AXLE	1
16	D10542310.9	SHIM 61.8X51 (0.2285 MM)	1
17	D10542320.9	SHIM 61.8X51 (0.4065 MM)	1
18	D10542330.9	SHIM 61.8X51 (0.5335 MM)	1
19	D10542340.9	SHIM 61.8X51 (0.7875 MM)	1
20	D10542350.9	SHIM 61.8X51 (1 MM)	1
21	D10542360.9	SHIM 61.8X51 (1.2 MM)	1
22	D10542370.9	SHIM 61.8X51 (1.5 MM)	1
23	D10170200.9	BEARING BALL 6206	1
24	D11015950AA.9	GEAR DRIVER BEVEL KNUCKLE Z-10	1
25	D10159950.9	DOWEL POSITIONING 10X25	3
26	D11015940AA.9	GEAR DRIVEN BEVEL KNUCKLE Z-16	1
27	D85500450.9	WASHER 36.0X20.0X3.0	1
28	D10542450.9	COVER KNUCKLE HOUSING	1
29	D10544670.9	SHIM COVER KNUCKLE (0.075 MM)	1
30	D10544680.9	SHIM COVER KNUCKLE (0.125 MM)	1
31	D10544690.9	SHIM COVER KNUCKLE (0.2285 MM)	1
32	D10544700.9	SHIM COVER KNUCKLE (0.4065 MM)	1
33	D93601100.9	SEAL O RING 2.62X62.00	1
34	D10005880.9	WASHER M18 FLAT COPPER	1
35	D10006500.9	PLUG M18X1.5X12-6.8 HEX HEAD	1
36	D81500110.9	BOLT M8X1.25X20-8.8 HEX HEAD	4
37	D81503330.9	BOLT M10X1.50X45-8.8 HEX HEAD WITH ROUNDED TOP	1
38	D83500090.9	NUT M10X1.50-8 HEX	1
39	D10547400.9	SEAL O RING 3.53X95.0	1
40	D95000410.9	LOCTITE 574	AR

TABLE-4

HOUSING ASSEMBLY SWIVEL FRONT AXLE LH WITH HARDWARE SUBASSEMBLY (4WD COMPACT)

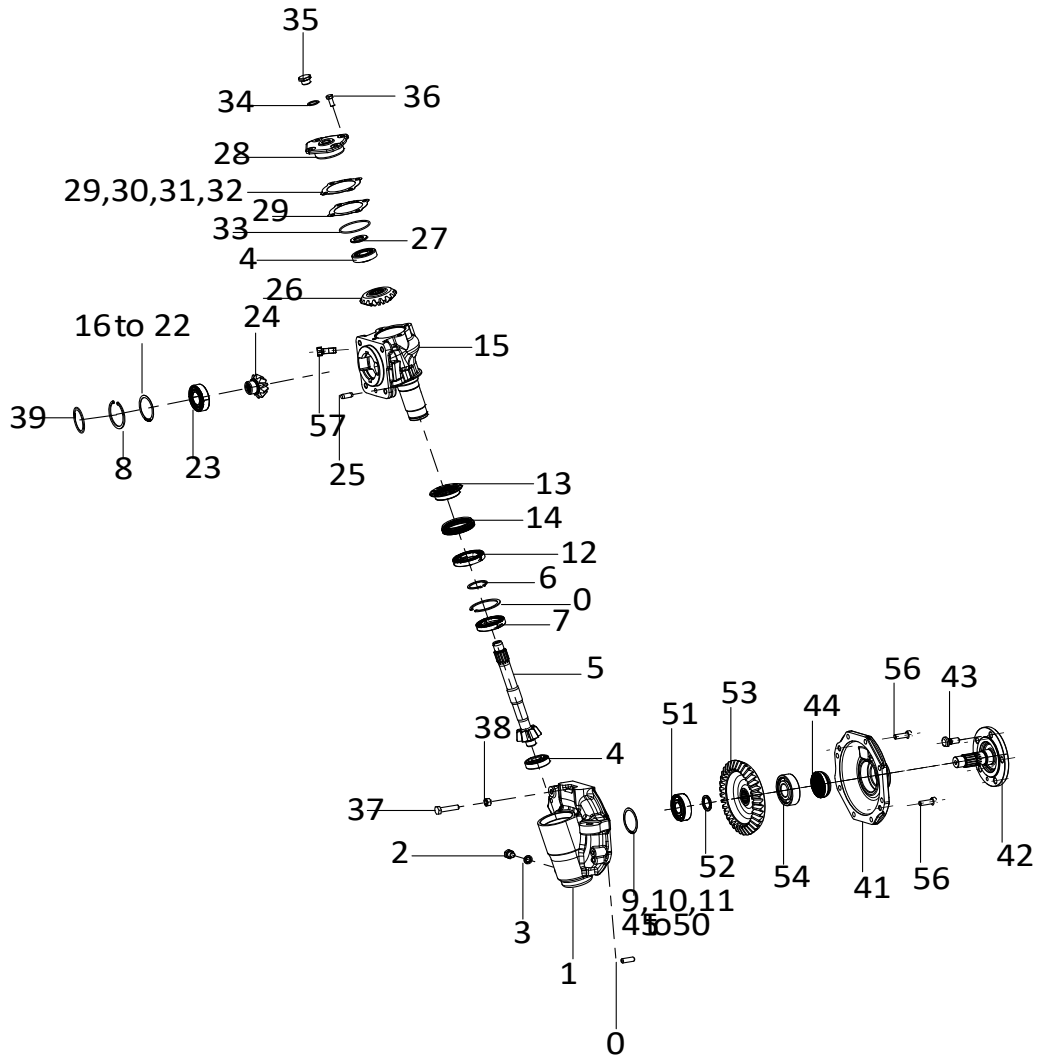


TABLE-4
HOUSING ASSEMBLY SWIVEL FRONT AXLE LH WITH HARDWARE SUBASSEMBLY (4WD COMPACT)

Fig. No.	Part No.	Description	Qty
41	D10528080.9	HOUSING WHEEL FRONT AXLE	1
42	D10528070.9	SHAFT FRONT AXLE WHEEL	1
43	D10541620.9	BOLT M12X1.5 FRONT WHEEL HUB	5
44	D10452820AD.9	SEAL OIL 35X60X14.5 PTO OUTPUT SHAFT	1
45	D10537800.9	SHIM REAR AXLE SHAFT (0.075 MM)	1
46	D10537810.9	SHIM REAR AXLE SHAFT (0.125 MM)	1
47	D10537820.9	SHIM REAR AXLE SHAFT (0.2285 MM)	1
48	D10537830.9	SHIM REAR AXLE SHAFT (0.4065 MM)	1
49	D10537840.9	SHIM REAR AXLE SHAFT (0.5335 MM)	1
50	D10537850.9	SHIM REAR AXLE SHAFT (0.7875 MM)	1
51	D10533260.9	BEARING BALL 6306	1
52	D10542420.9	WASHER SPLIT WHEEL END	2
53	D10528090.9	GEAR DRIVEN BEVEL WHEEL Z-37	1
54	D10170170.9	BEARING BALL 6305	1
55	D95000410.9	LOCTITE 574	2
56	D81502320.9	BOLT M10X1.50X30-10.9 HEX HEAD	8
57	D82500610.9	SCREW M12X1.75X30-10.9	4

TABLE-5
PILLOW BLOCK SUBASSEMBLY FRONT

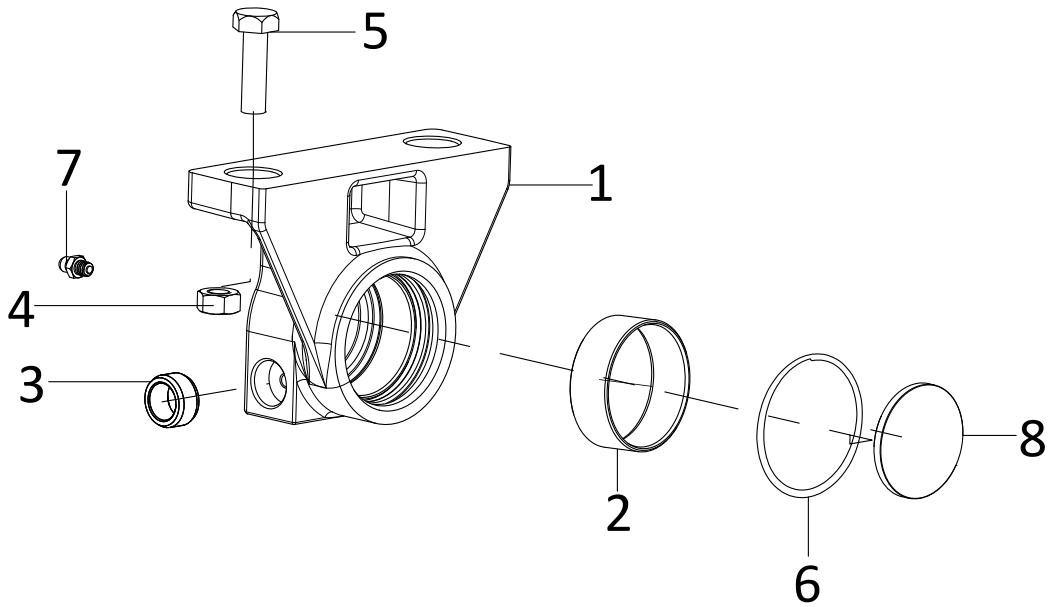


TABLE-5
PILLOW BLOCK SUBASSEMBLY FRONT

Fig. No.	Part No.	Description	Qty
1	D10543050.9	PILLOW BLOCK ASSEMBLY FRONT	1
2	D10542430.9	BUSH PILLOW BLOCK FRONT	1
3	D10548830.9	DOWEL BUSH PILLOW BLOCK	2
4	D83500090.9	NUT M10X1.50-8 HEX	1
5	D81500210.9	BOLT M10X1.50X35-6.6P HEX HEAD	1
6	D10547380.9	SEAL O RING 2.62X55.0	1
7	D92500010.9	GREASE NIPPLE B M6	1
8	D10542460.9	WASHER 48.0X4.0 THRUST	1

TABLE-6
PILLOW BLOCK SUBASSEMBLY REAR

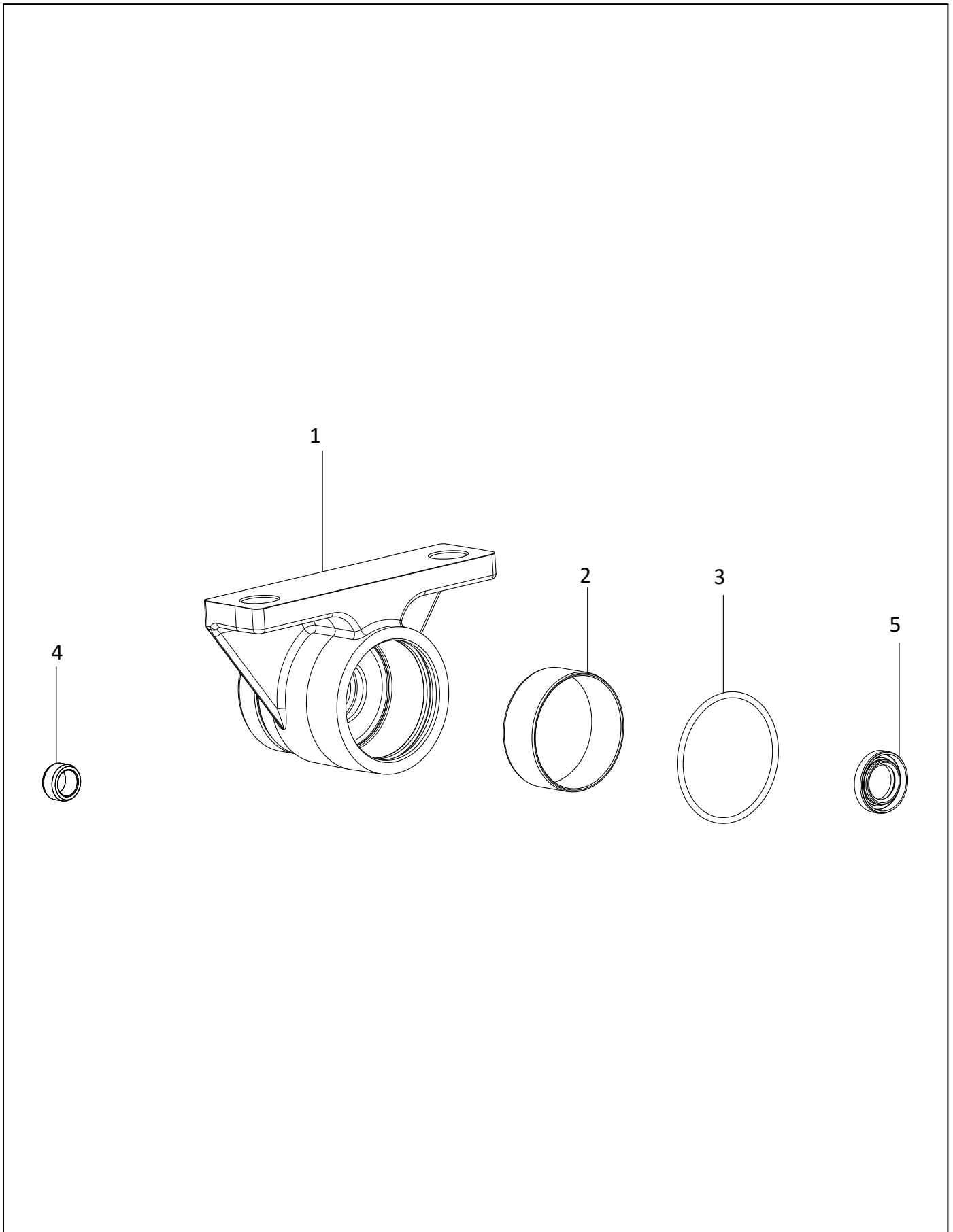


TABLE-6
PILLOW BLOCK SUBASSEMBLY REAR

Fig. No.	Part No.	Description	Qty
1	D10543060.9	PILLOW BLOCK ASSEMBLY REAR	1
2	D10542440.9	BUSH PILLOW BLOCK REAR	1
3	D10547390.9	SEAL O RING 3.53X72.0	1
4	D10548830.9	DOWEL BUSH PILLOW BLOCK	2
5	D93601110.9	SEAL OIL 22X37X7.0	1

TABLE-7
HOUSING ASSEMBLY FRONT AXLE CENTER BEAM SUBASSEMBLY

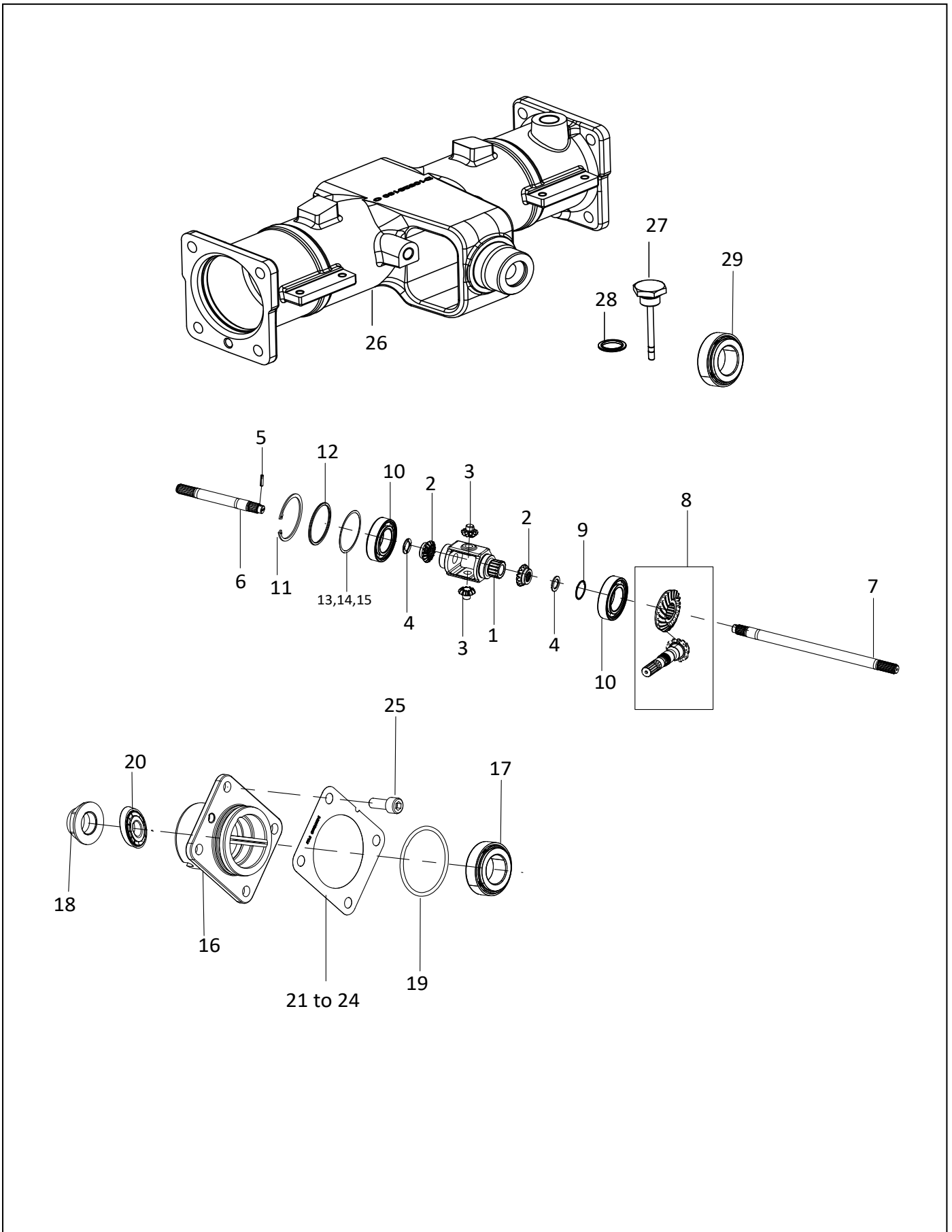


TABLE-7
HOUSING ASSEMBLY FRONT AXLE CENTER BEAM SUBASSEMBLY

Fig. No.	Part No.	Description	Qty
1	D10528170.9	CASE DIFFERENTIAL FRONT AXLE	1
2	D10520860.9	BEVEL SIDE GEAR DIFFERENTIAL Z-16	2
3	D10520870.9	PINION GEAR DIFFERENTIAL Z-10	2
4	D10541560.9	WASHER THRUST 32X20.5X2 DIFFERENTIAL	2
5	D87500480.9	PIN 5.0X24.0 SPRING DOWEL	2
6	D10528220.9	SHAFT HALF AXLE LH	1
7	D10528230.9	SHAFT HALF AXLE RH	1
8	D10528180.9	GEAR SET BEVEL PINION AND CROWN WHEEL FRONT AXLE (10/21)	1
9	D10541630.9	RING SNAP DIFFERENTIAL FRONT AXLE	1
10	D10602220.9	BEARING BALL 6210 CN	2
11	D10106690.9	CIRCLIP B90X2.80 HB	1
12	D10546960.9	WASHER 89.90X80.0X3.0	1
13	D10546970.9	SHIM 89.90X81.0 (0.125 MM)	1
14	D10546980.9	SHIM 89.90X81.0 (0.2285 MM)	1
15	D10546990.9	SHIM 89.90X81.0 (0.4065 MM)	1
16	D10528210.9	RETAINER PINION FRONT AXLE	1
17	D10533280.9	BEARING TAPER ROLLER 32006X	1
18	D10541570.9	NUT CRIMP M24X1.5 HEX HEAD	1
19	D10154560.9	SEAL O RING 2.65X65.0	1
20	D10533270.9	BEARING TAPER ROLLER 30304	1
21	D10541580.9	SHIM RETAINER PINION (0.075 MM)	1
22	D10541590.9	SHIM RETAINER PINION (0.125 MM)	1
23	D10541600.9	SHIM RETAINER PINION (0.2285 MM)	1
24	D10541610.9	SHIM RETAINER PINION (0.4065 MM)	1
25	D81503270.9	BOLT M10X25X1.5-10.9 ALLEN	4
26	D10528160.9	HOUSING FRONT AXLE CENTER BEAM	1
27	D10673030.9	INDICATOR FRONT AXLE OIL LEVEL	1
28	D10617830.9	WASHER BONDED SEAL M20	1
29	D10001990.9	BEARING ASSEMBLY TRANSMISSION MAIN SHAFT REAR PILOT	1

TABLE-8
AXLE FRONT WITH CYLINDER AND LINK ASSEMBLY

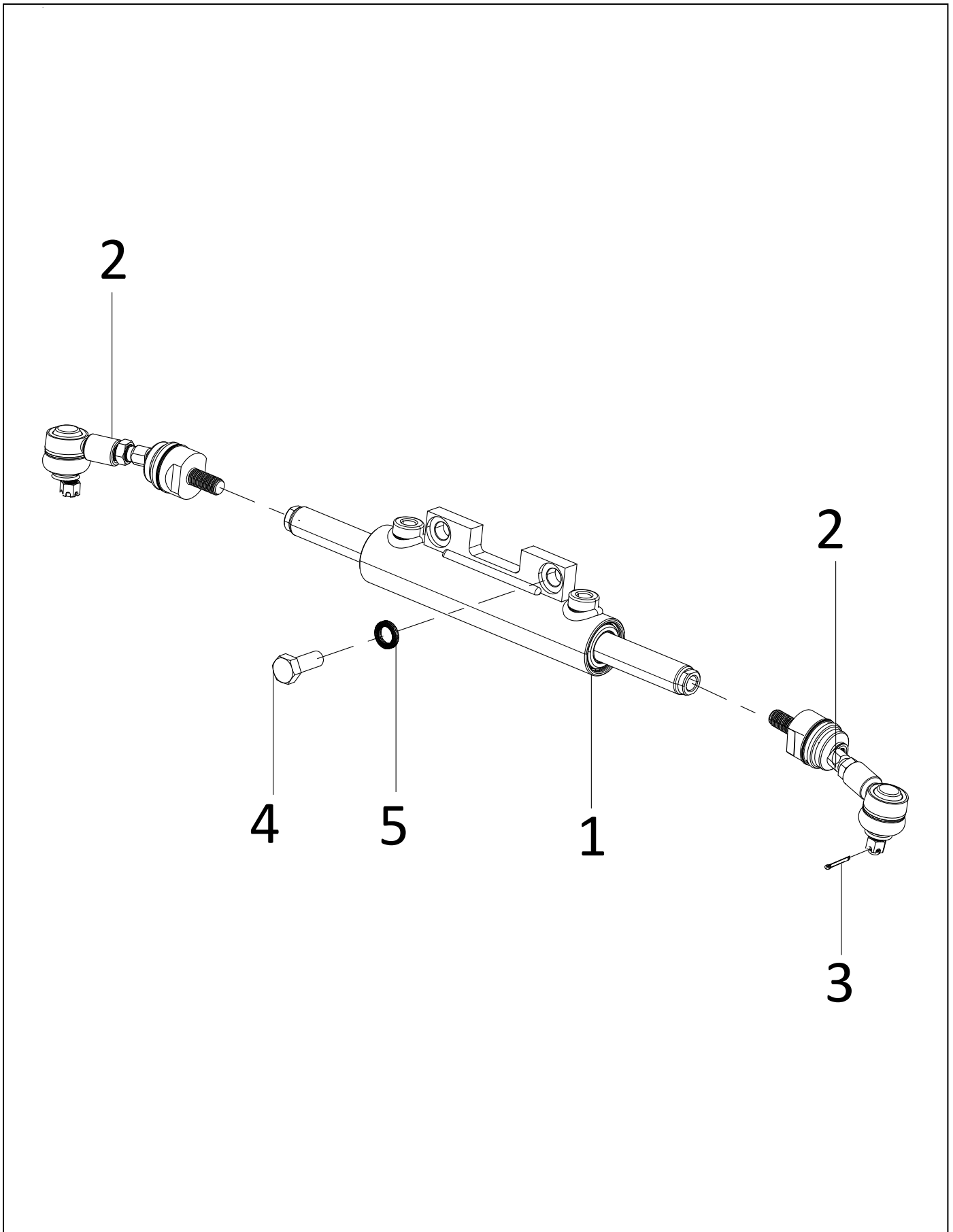


TABLE-8
AXLE FRONT WITH CYLINDER AND LINK ASSEMBLY

Fig. No.	Part No.	Description	Qty
1	D10537740AC.9	CYLINDER ASSEMBLY POWER STEERING	1
2	D10537730.9	LINK ASSEMBLY POWER STEERING	2
3	D88400040.9	PIN 3.2X25.0 COTTER	2
4	D81500740.9	BOLT M14X2.00X35-10.9 HEX HEAD LOCK	2
5	D85500520.9	WASHER M14 LOCK (NORD TYPE)	2
6	D10615010.9	KIT SEAL STEERING CYLINDER (M/S OGNIBENE POWER PART NO 800230090)	1
7	D10615020.9	RING INTERNAL RETAINING STEERING CYLINDER (M/S OGNIBENE POWER PART NO 427250042)	2
8	D10615030.9	GLAND STEERING CYLINDER (M/S OGNIBENE POWER PART NO 184170060)	2
9	D10615040.9	ROD ASSEMBLY STEERING CYLINDER (M/S OGNIBENE POWER PART NO 333140820)	1

TABLE-9
COVER ASSEMBLY GUARD STEERING CYLINDER

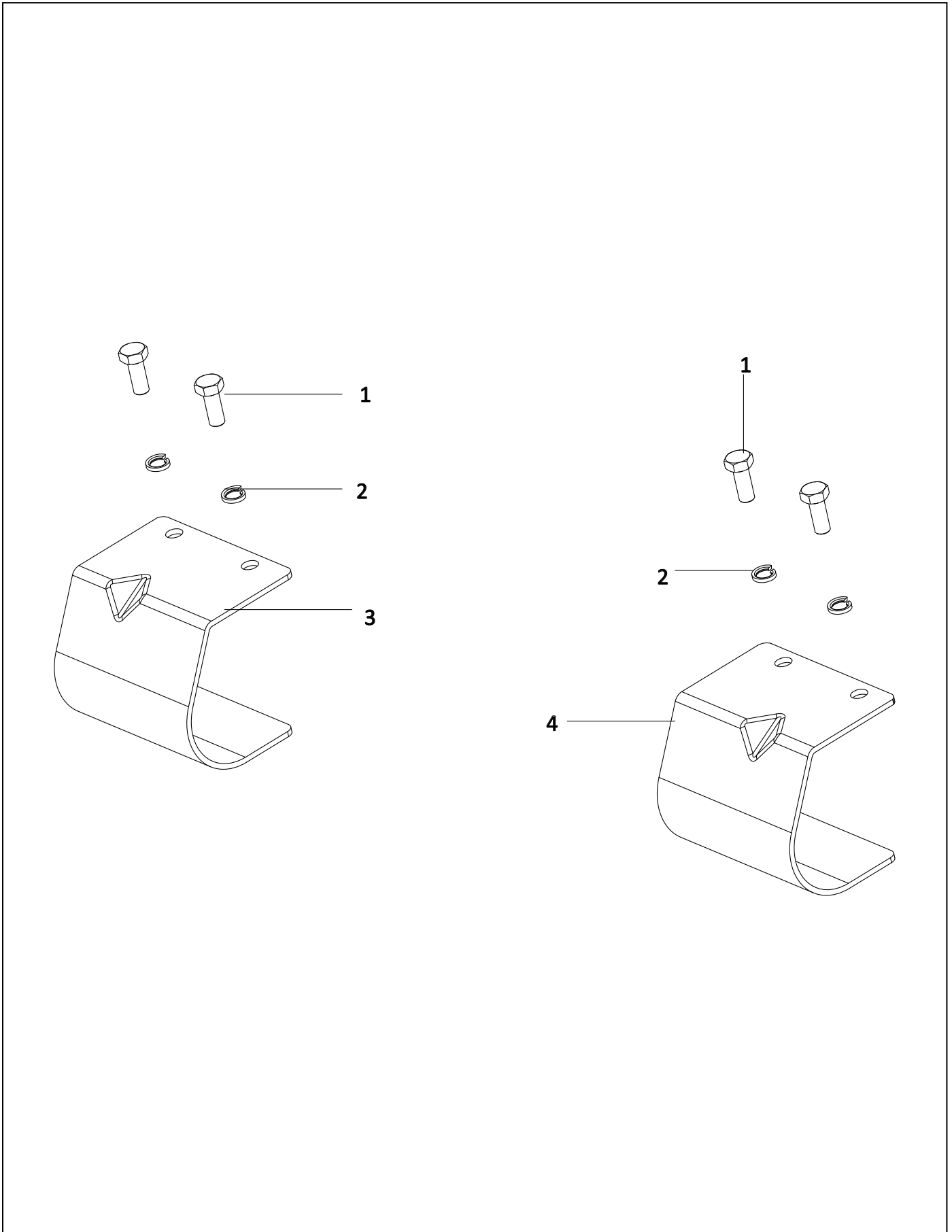


TABLE-9
COVER ASSEMBLY GUARD STEERING CYLINDER

Fig. No.	Part No.	Description	Qty
1	D81500110.9	BOLT M8X1.25X20-8.8 HEX HEAD	4
2	D86500030.9	WASHER M8 SPRING LOCK	4
3	D10537750.9	GUARD STEERING CYLINDER RH	1
4	D10537760.9	GUARD STEERING CYLINDER LH	1

TABLE-10
TUBING POWER STEERING SUBASSEMBLY

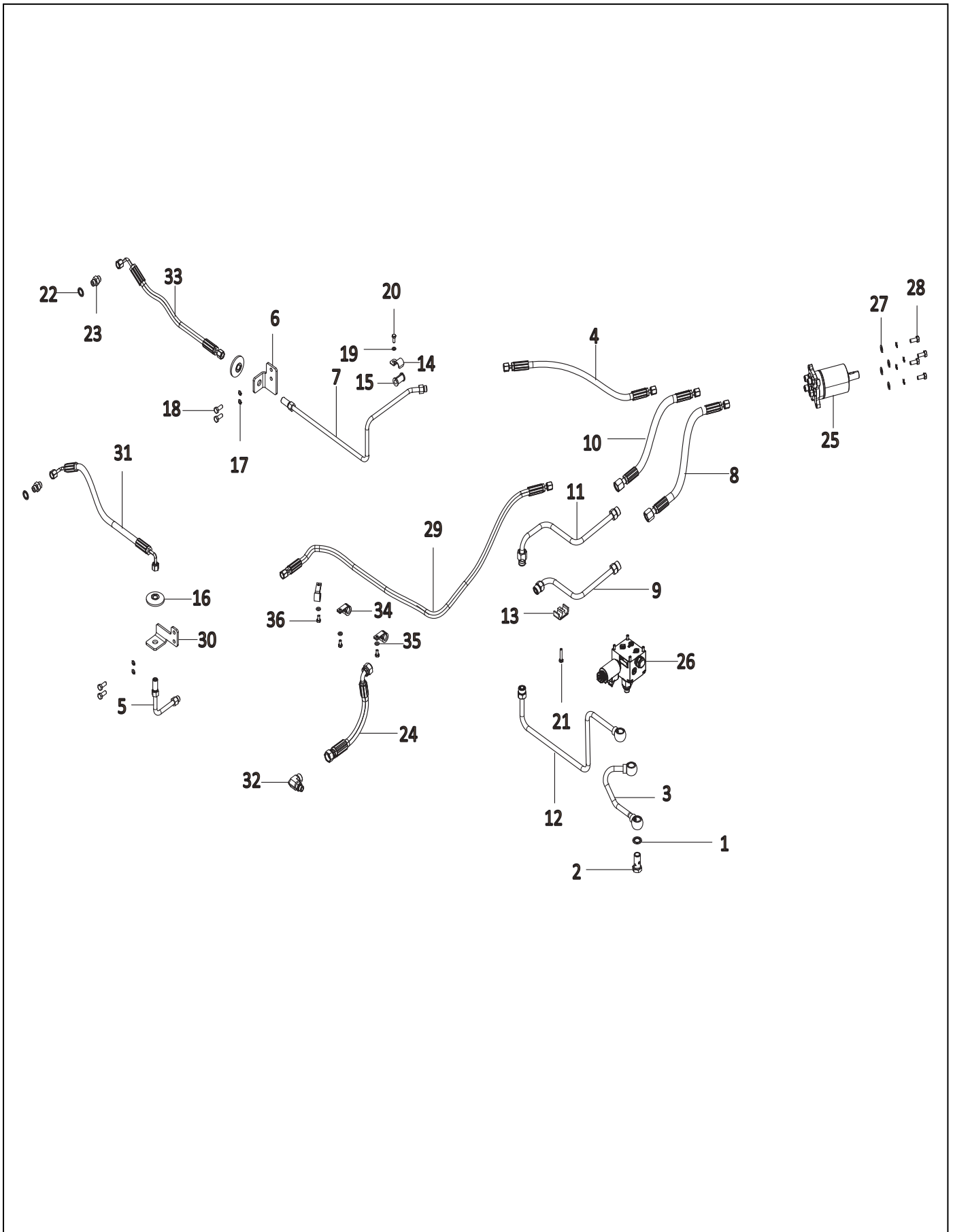


TABLE-10
TUBING POWER STEERING SUBASSEMBLY

Fig. No.	Part No.	Description	Qty
1	D10174950AD.9	SEAL BANJO BOLT DISTRIBUTOR TO CYLINDER TUBE	6
2	D10174960AD.9	BOLT BANJO M18X1.50	3
3	D10795260.9	TUBE ASSEMBLY SOLENOID VALVE RETURN	1
4	D10791900.9	HOSE ASSEMBLY POWER STEERING MOTOR TO CONNECTOR LH	1
5	D10791940BA.9	TUBE ASSEMBLY POWER STEERING CONNECTOR RH	1
6	D10795280.9	BRACKET POWER STEERING TUBE HOLDING LH	1
7	D10791920.9	TUBE ASSEMBLY POWER STEERING CONNECTOR LH	1
8	D10791880.9	HOSE ASSEMBLY POWER STEERING PRESSURE TO MOTOR	1
9	D10791960.9	TUBE ASSEMBLY FLOW CONTROL VALVE TO HOSE POWER STEERING PRESSURE	1
10	D10791890.9	HOSE ASSEMBLY POWER STEERING RETURN	1
11	D10792060.9	TUBE ASSEMBLY POWER STEERING RETURN HOSE TO CONNECTOR	1
12	D10792040.9	TUBE ASSEMBLY POWER STEERING RETURN	1
13	D10587620.9	CLAMP ASSEMBLY HYDRAULIC PRESSURE	1
14	D10562100.9	CLAMP TUBE HOLDING DIA 10	1
15	D10562110.9	GROMMET RUBBER DIA 10	1
16	D83000420.9	NUT 9/16"-12 HEX (GRADE 8)	2
17	D86500030.9	WASHER M8 SPRING LOCK	8
18	D82500040.9	SCREW M8X1.25X20-8.8 HEX HEAD	4
19	D85500110.9	WASHER M6 FLAT	1
20	D82500220.9	SCREW M6X1.00X15-8.8 HEX HEAD	1
21	D10466130.9	BOLT M6X30-5.8 HEX HEAD (FTES SRUBA M6X30-5.8)	1
22	D10513210.9	WASHER BONDED SEAL 14.7X22.0X1.5	2
23	D10556240.9	CONNECTOR 9/16-18 AND M14X1.5 STUD END	2
24	D10855040BA.9	TUBE AND HOSE ASSEMBLY FLOW CONTROL VALVE TO HOSE POWER STEERING PRESSURE	1
25	D10524330.9	MOTOR ASSEMBLY POWER STEERING	1
26	D10578080.9	VALVE ASSEMBLY WET CLUTCH ACTUATION	1
27	D85500050.9	WASHER M8 FLAT	4
28	D81500110.9	BOLT M8X1.25X20-8.8 HEX HEAD	4
29	D11041590AB.9	HOSE ASSEMBLY POWER STEERING MOTOR TO CONNECTOR RH	1
30	D11038380AA.9	BRACKET POWER STEERING TUBE HOLDING	1
31	D11041540AA.9	HOSE ASSEMBLY POWER STEERING CYLINDER RH	1
32	D10508790.9	ELBOW 13/16"-16 UNF AND 9/16"-18 UNF	1
33	D10795290.9	HOSE ASSEMBLY POWER STEERING CYLINDER	1
34	D10544390.9	CLAMP P TYPE (FOR DIA 13.5 TO 15.0)	3
35	D85500040.9	WASHER M6 FLAT	3
36	D82500050.9	SCREW M6X1.00X12-6.8 HEX HEAD	3

TABLE-11
WHEEL STEERING AND UNIT STEERING SUBASSEMBLY

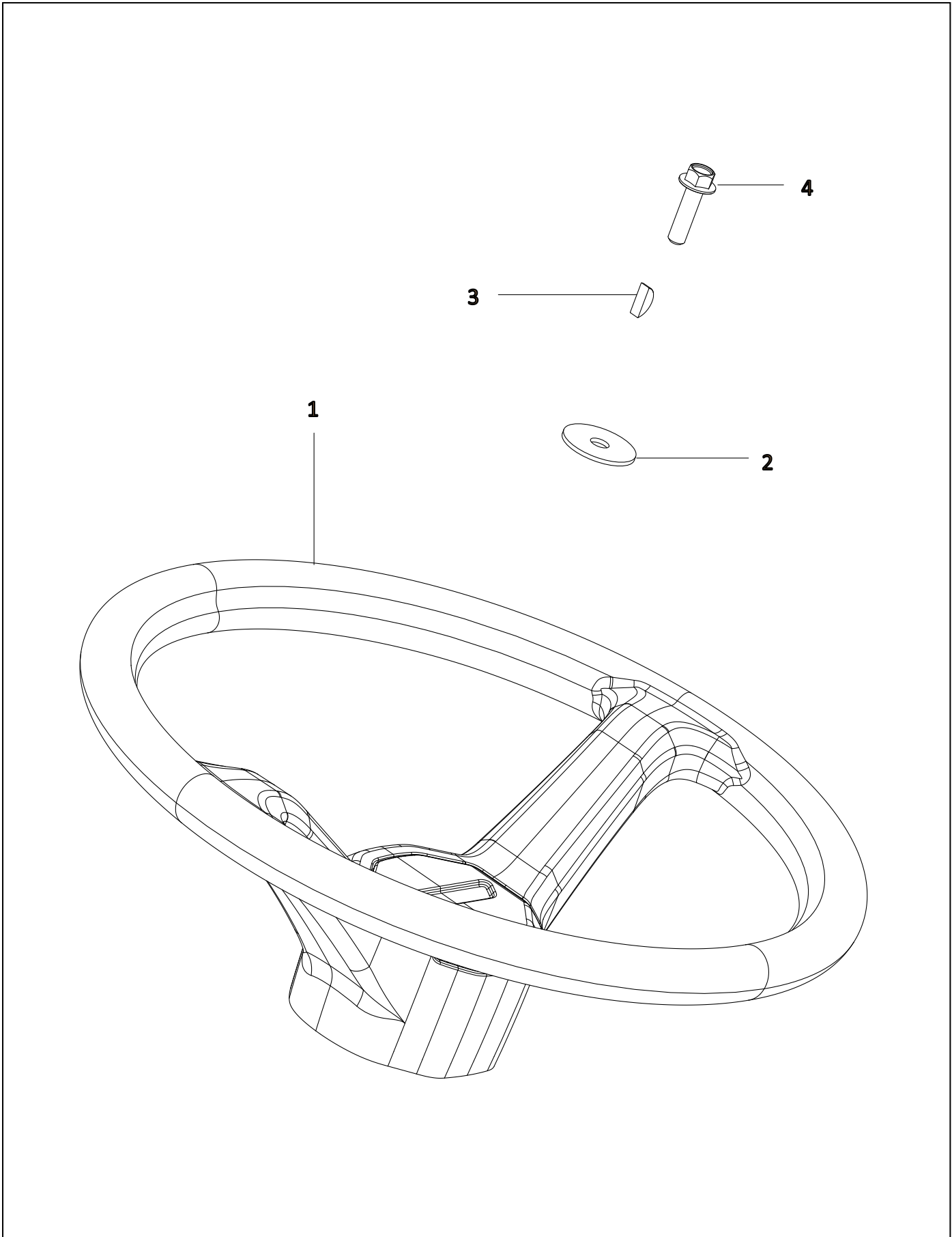


TABLE-11
WHEEL STEERING AND UNIT STEERING SUBASSEMBLY

Fig. No.	Part No.	Description	Qty
1	D10569180.9	WHEEL ASSEMBLY STEERING	1
2	D85500700.9	WASHER M8 FLAT DIA 35	1
3	D91000280.9	KEY 5.0X6.5 WOODRUFF	1
4	D81502240.9	BOLT M8X1.25X30-10.9 HEX HEAD FLANGED	1

TABLE-12
COVER AND SUPPORT FRONT AXLE SUB ASSEMBLY

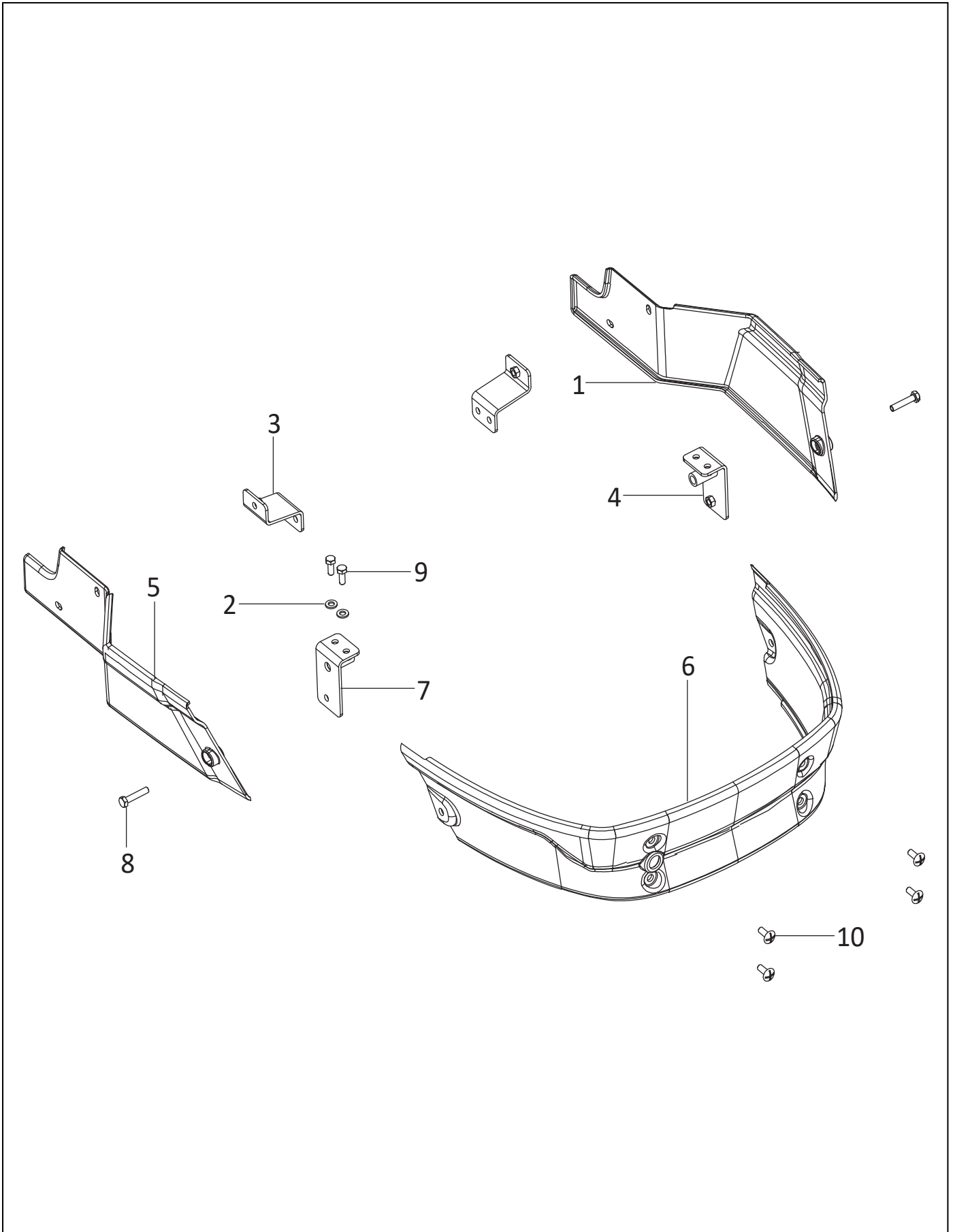


TABLE-12**COVER AND SUPPORT FRONT AXLE SUB ASSEMBLY**

Fig. No.	Part No.	Description	Qty
1	D10791490.9	COVER SUPPORT FRONT AXLE SIDE LH	1
2	D85500040.9	WASHER M6 FLAT	8
3	D10804010AB.9	BRACKET MOUNTING COVER SUPPORT FRONT AXLE SIDE	2
4	D10804030AB.9	BRACKET MOUNTING COVER SUPPORT FRONT AXLE FRONT	1
5	D10791500.9	COVER SUPPORT FRONT AXLE SIDE RH	1
6	D10791480AB.9	COVER SUPPORT FRONT AXLE FRONT	1
7	D10807510AB.9	BRACKET MOUNTING COVER SUPPORT FRONT AXLE FRONT RH	1
8	D82500020.9	SCREW M6X1.00X30-5D HEX HEAD	2
9	D82500220.9	SCREW M6X1.00X15-8.8 HEX HEAD	8
10	D82501190.9	SCREW M6X1.0X16 TRUSS HEAD CROSS SLOTTED	8

TABLE-13
WHEEL AND TYRE ASSEMBLY FRONT 5.20x14 (M/s BKT DEEP LUG)

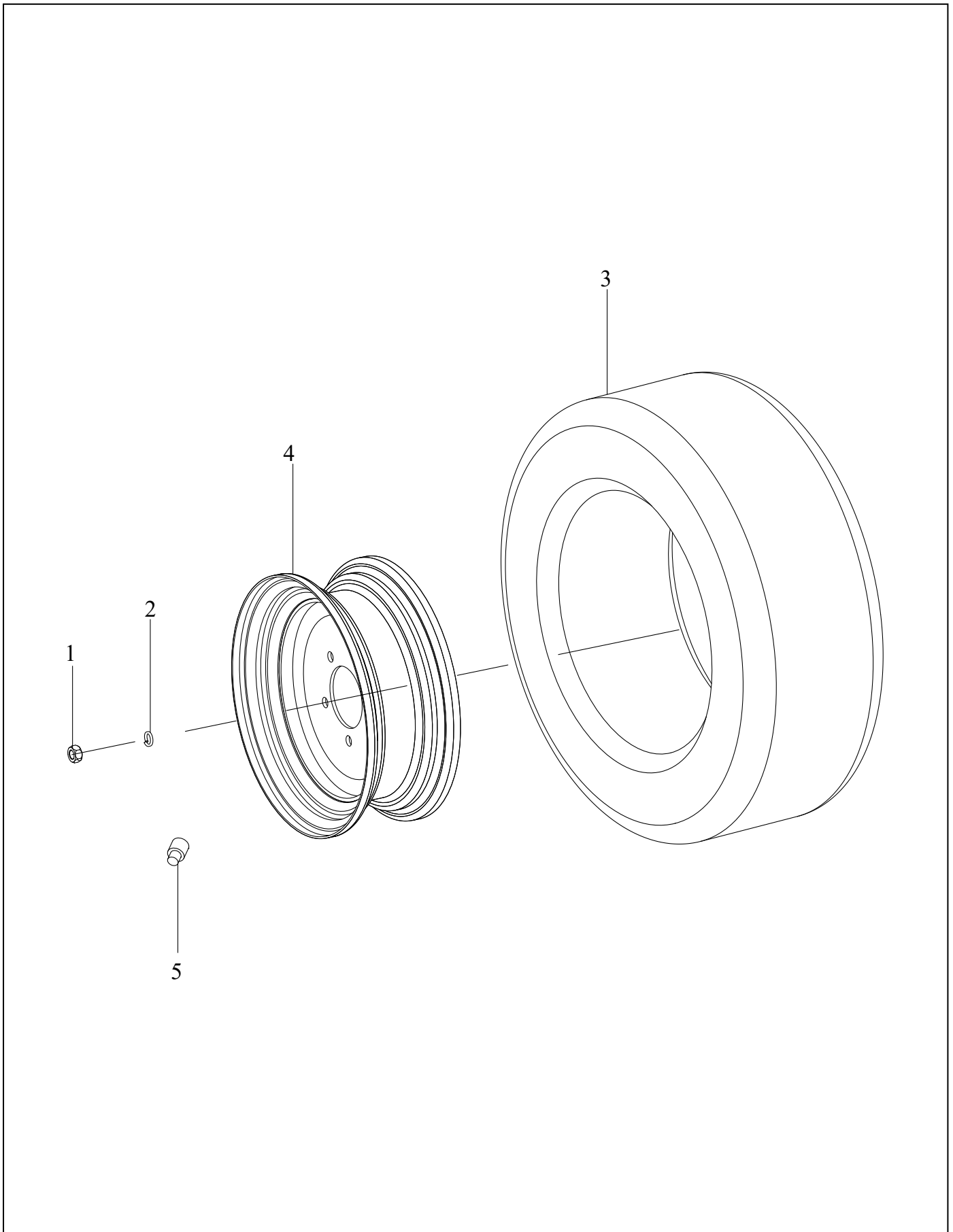


TABLE-13
WHEEL AND TYRE ASSEMBLY FRONT 5.20x14 (M/s BKT DEEP LUG)

Fig. No.	Part No.	Description	Qty
1	D83501030.9	NUT M12X1.5-10.9 HEX HEAD	10
2	D86500020.9	WASHER M12 SPRING LOCK	10
3	D10517620.9	TYRE ASSEMBLY FRONT WHEEL 5X12 TR128	2
4	D10538450.9	RIM ASSEMBLY FRONT WHEEL 4JX12" (ANTIQUÉ SILVER)	2
5	D10538040.9	TUBE ASSEMBLY FRONT WHEEL 5X12 (TR13)	2

TABLE-14
LINKAGE ASSEMBLY THROTTLE CONTROL

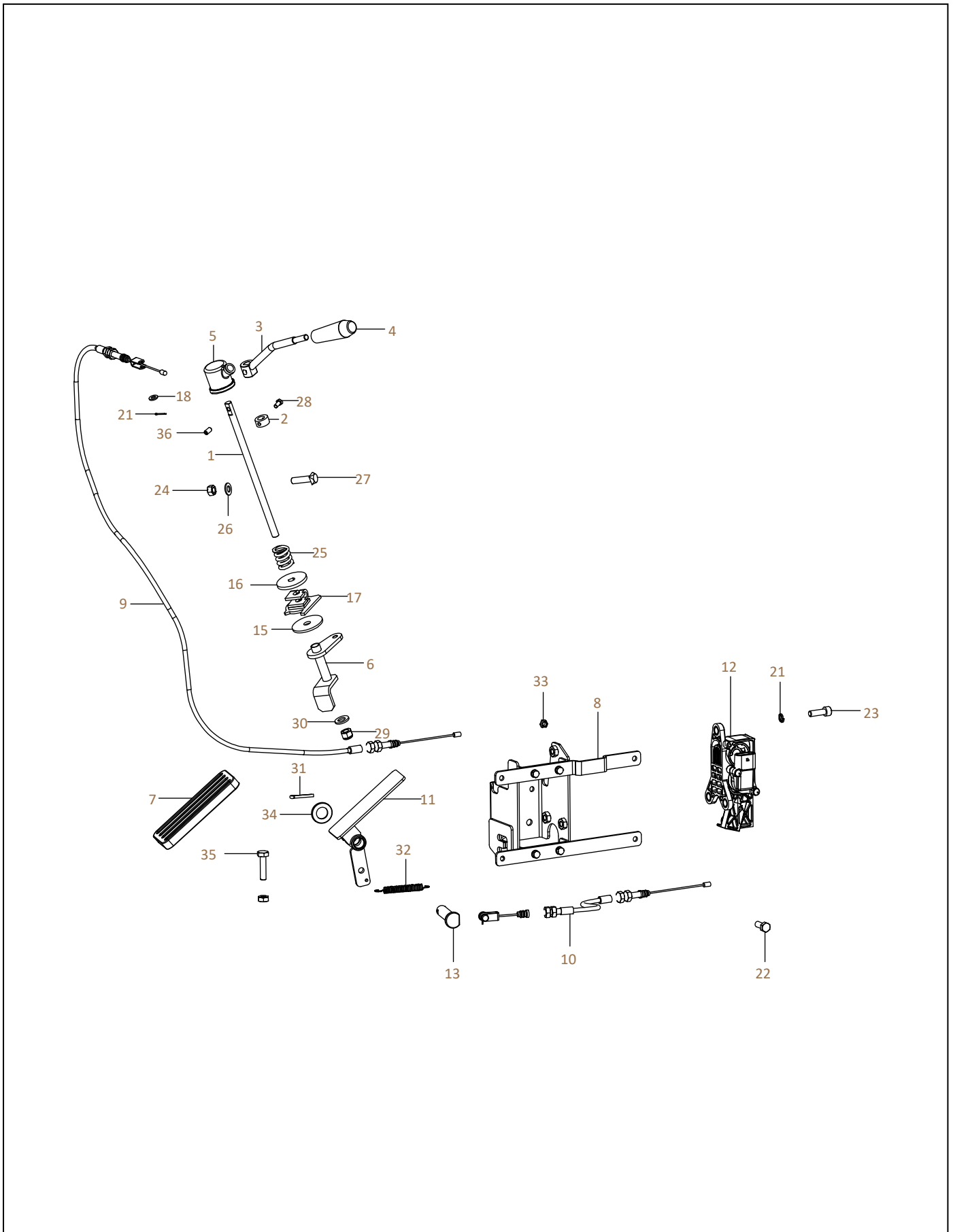


TABLE-14
LINKAGE ASSEMBLY THROTTLE CONTROL

Fig. No.	Part No.	Description	Qty
1	D10792860AB.9	LEVER HAND THROTTLE	1
2	D10017970.9	STOP THROTTLE CONTROL LEVER	1
3	D10792940.9	LEVER ASSEMBLY HAND THROTTLE CONTROL	1
4	D10511400.9	KNOB HAND THROTTLE CONTROL LEVER	1
5	D10586270.9	CAP HAND THROTTLE	1
6	D10792900.9	ARM ASSEMBLY HAND THROTTLE CONTROL	1
7	D10790780.9	COVER RUBBER FOOT THROTTLE PEDAL	1
8	D11047120AA.9	BRACKET ASSEMBLY ELECTRONIC THROTTLE CONTROL	1
9	D10792920AB.9	CABLE ASSEMBLY HAND THROTTLE CONTROL	1
10	D10792930AB.9	CABLE ASSEMBLY FOOT THROTTLE CONTROL	1
11	D10792410.9	PEDAL AND HUB ASSEMBLY FOOT THROTTLE	1
12	D10601230.9	ELECTRONIC THROTTLE CONTROL	1
13	D10806370.9	PIN FOOT ACCELERATOR	1
15	D10018170.9	DISC THROTTLE CONTROL	1
16	D10017960.9	PLATE THROTTLE CONTROL	1
17	D10600610.9	PLATE ASSEMBLY THROTTLE CONTROL	1
18	D85500040.9	WASHER M6 FLAT	2
20	D88400010.9	PIN 1.6X12.5 COTTER	2
21	D86500030.9	WASHER M8 SPRING LOCK	5
22	D81500110.9	BOLT M8X1.25X20-8.8 HEX HEAD	5
23	D82501190.9	SCREW M6X1.0X16 TRUSS HEAD CROSS SLOTTED	3
24	D83000080.9	NUT 5/16"-18 HEX	1
25	D10016480.9	SPRING GOVERNOR MANUAL CONTROL LEVER	1
26	D10018690.9	WASHER 5/16" FLAT	1
27	D81000670.9	BOLT 5/16"-24X1.25" SQUARE HEAD	1
28	D82500030.9	SCREW M5X0.80X10-6.6 HEX HEAD	1
29	D10016890.9	NUT 3/8"-24 HEX	1
30	D85000050.9	WASHER 3/8" FLAT	1
31	D88400040.9	PIN 3.2X25.0 COTTER	1
32	D10015400.9	SPRING FOOT THROTTLE CONTROL RETURN	1
33	D83500060.9	NUT M8X1.25-6 HEX	4
34	D85500020.9	WASHER M16 FLAT	1
35	D81500030.9	BOLT M8X1.25X35-6.6 HEX HEAD	1
36	D10106640.9	SCREW M6X1.00X12 GRUB	1
37	D10221070.9	BOLT M8X1.25X25 ALLEN	3
38	D11047180AA.9	COVER CHARGER BOTTOM MOUNTING BRACKET ASSEMBLY	1
39	D11047230AA.9	COVER CHARGER TOP MOUNTING BRACKET ASSEMBLY	1

TABLE-15
HOUSING TRANSMISSION ASSEMBLY ELECTRIC

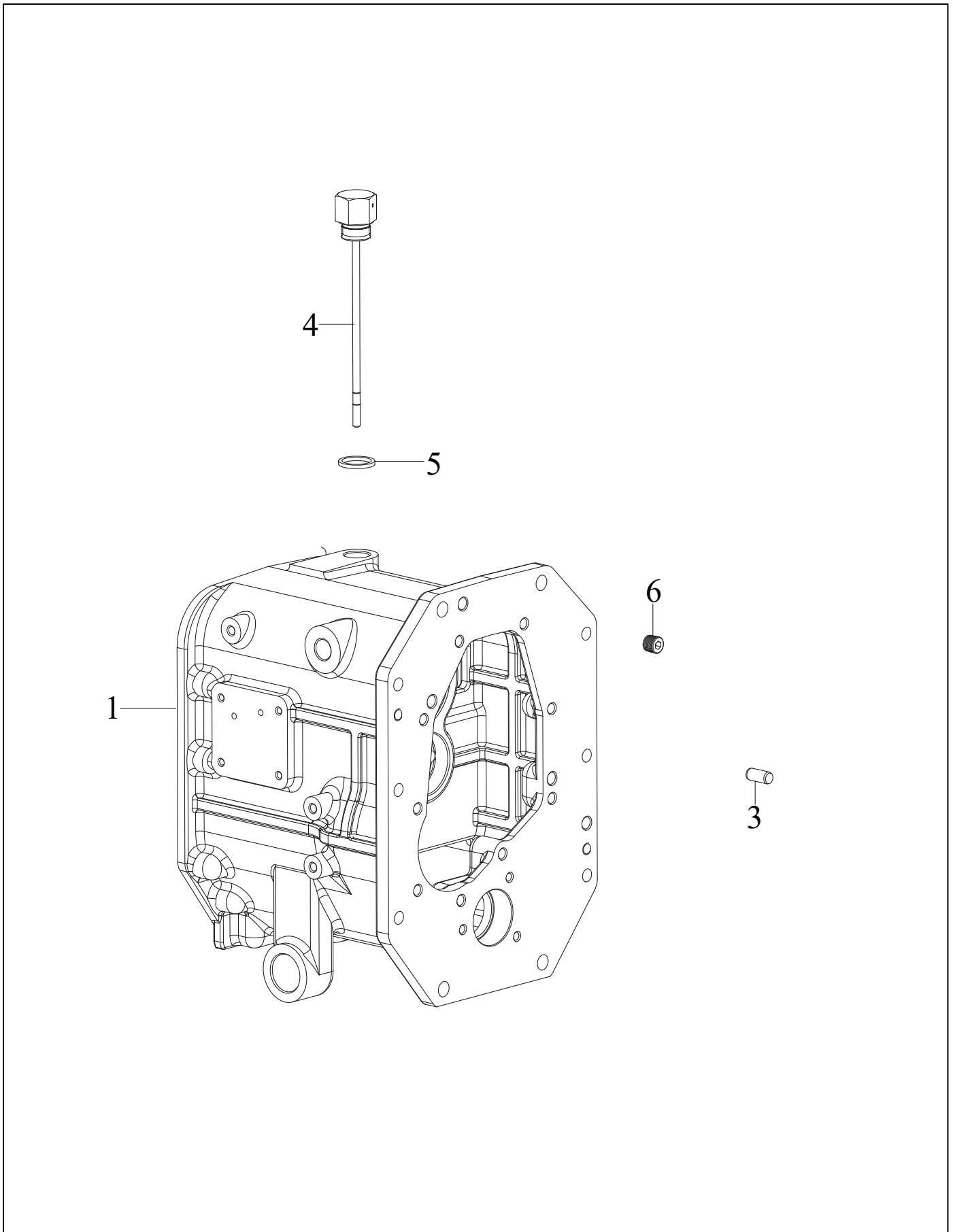


TABLE-15
HOUSING TRANSMISSION ASSEMBLY ELECTRIC

Fig. No.	Part No.	Description	Qty
1	D10773850AB.9	HOUSING TRANSMISSION ELECTRIC	1
3	D87500030.9	PIN 10X22 DOWEL	2
4	D10614560.9	INDICATOR OIL LEVEL TRANSMISSION (HST)	1
5	D10005120.9	WASHER M24 FLAT COPPER	1
6	D93100410.9	PLUG 1/4"-18 SOCKET HEX HEAD (STEEL)	2

TABLE-16
PLATE AND RETAINER ASSEMBLY INPUT TRANSMISSION

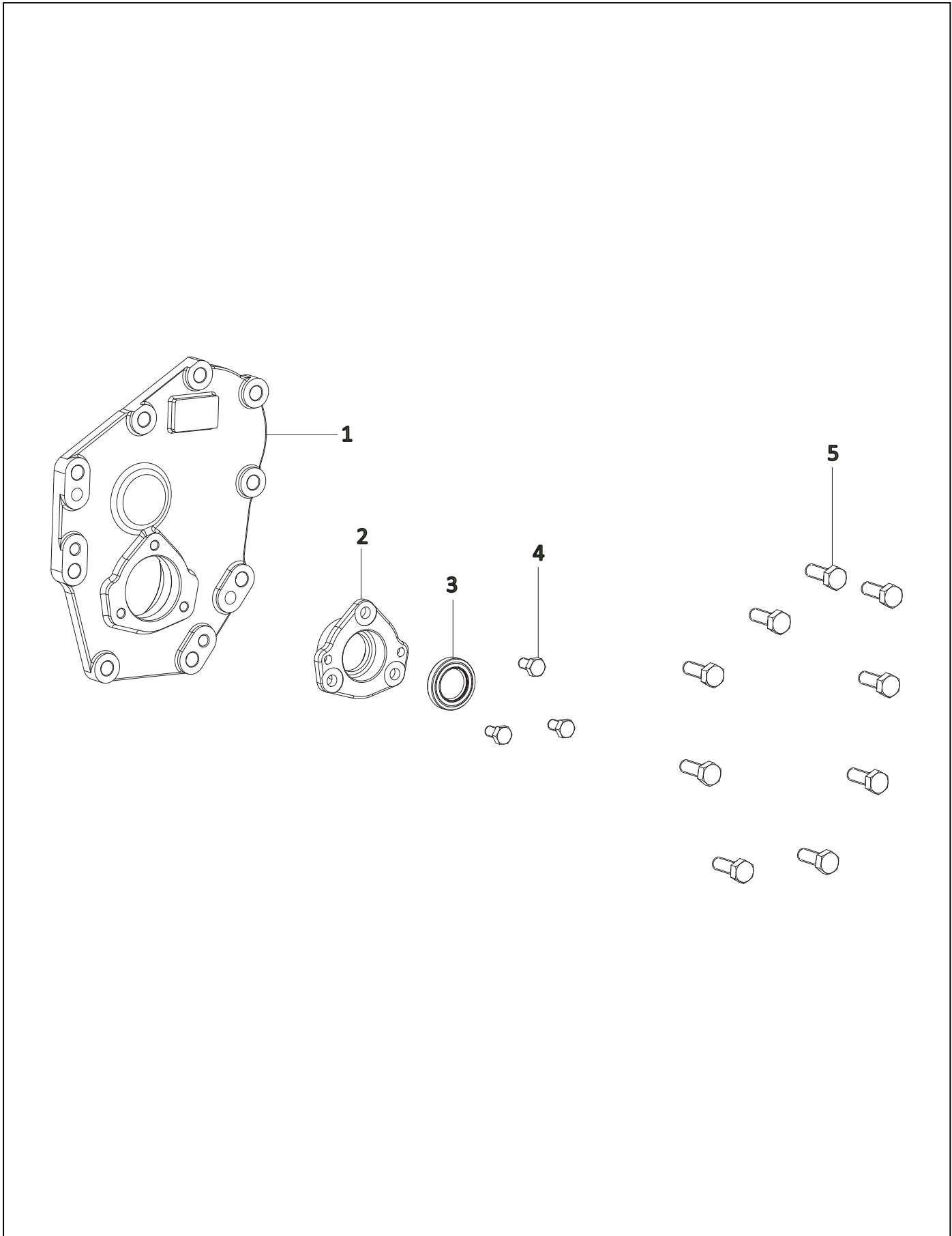


TABLE-16
PLATE AND RETAINER ASSEMBLY INPUT TRANSMISSION

Fig. No.	Part No.	Description	Qty
1	D10773910.9	PLATE INPUT TRANSMISSION	1
2	D10773880.9	RETAINER INPUT SHAFT	1
3	D10538220.9	SEAL TRANSMISSION INPUT SHAFT	1
4	D81503090.9	BOLT M8X1.25X16-8.8 HEX HEAD	3
5	D81503880.9	BOLT M10X1.50X30-10.9 HEX HEAD (16 A/F)	9
6	D95013250.9	SEALANT LIQUID ANAEROBIC (HIGHER STRENGTH)	AR

TABLE-17
DRIVE TRAIN INPUT ASSEMBLY

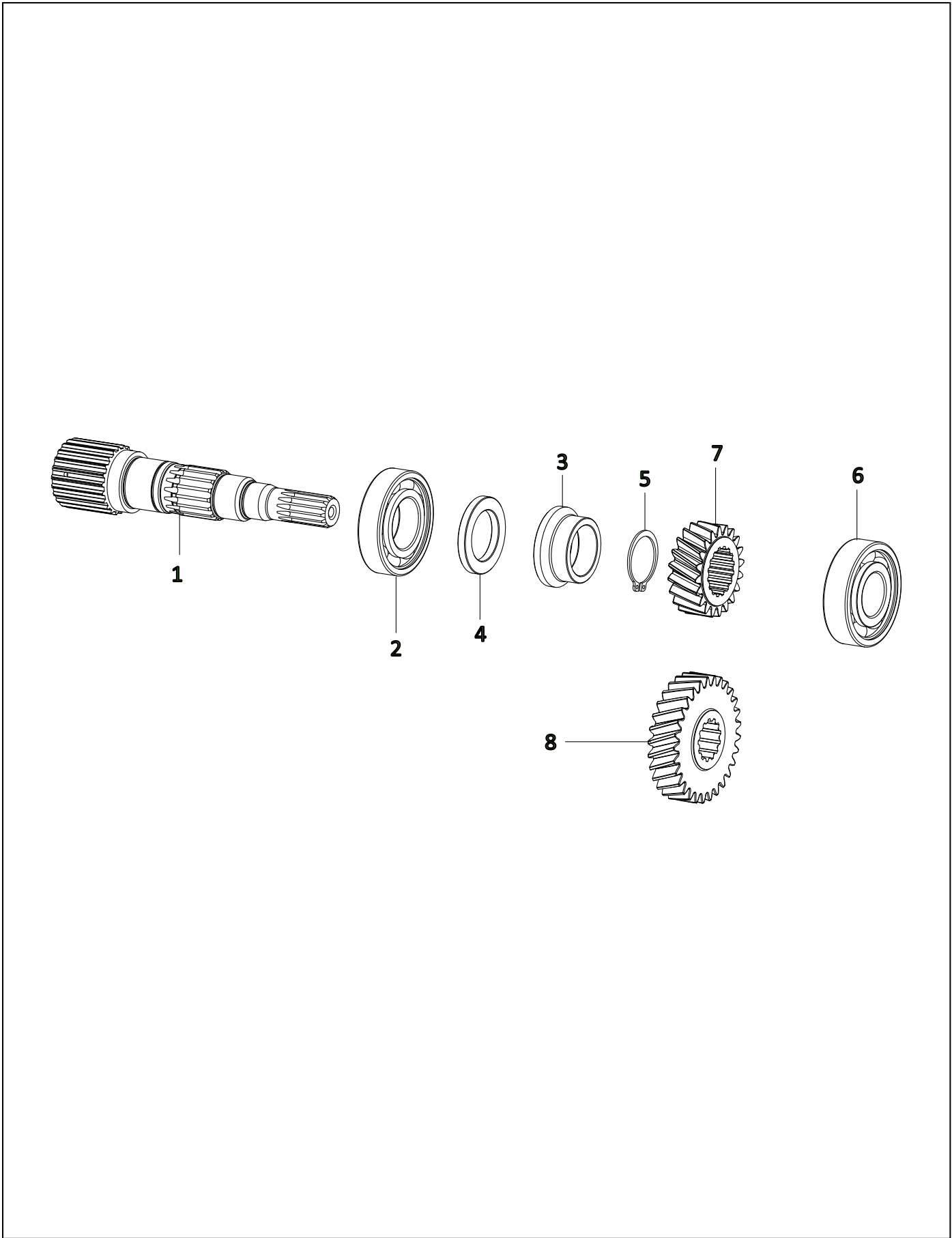


TABLE-17
DRIVE TRAIN INPUT ASSEMBLY

Fig. No.	Part No.	Description	Qty
1	D10767300AB.9	SHAFT TRANSMISSION INPUT COMPACT ELECTRIC	1
2	D10831490.9	BEARING BALL 6306Z	1
3	D10773920.9	SPACER INPUT TRANSMISSION	1
4	D10773930.9	SPACER 53X35X6.0	1
5	D90000020.9	CIRCLIP A35X1.5 N	1
6	D10001040.9	BEARING BALL PTO COUNTERSHAFT	1
7	D10767310.9	GEAR DRIVING PRIMARY Z-20	1
8	D10767320.9	GEAR DRIVEN PRIMARY Z-29	1

TABLE-18
SHAFT DRIVING SECONDARY CONSTANT MESH ASSEMBLY

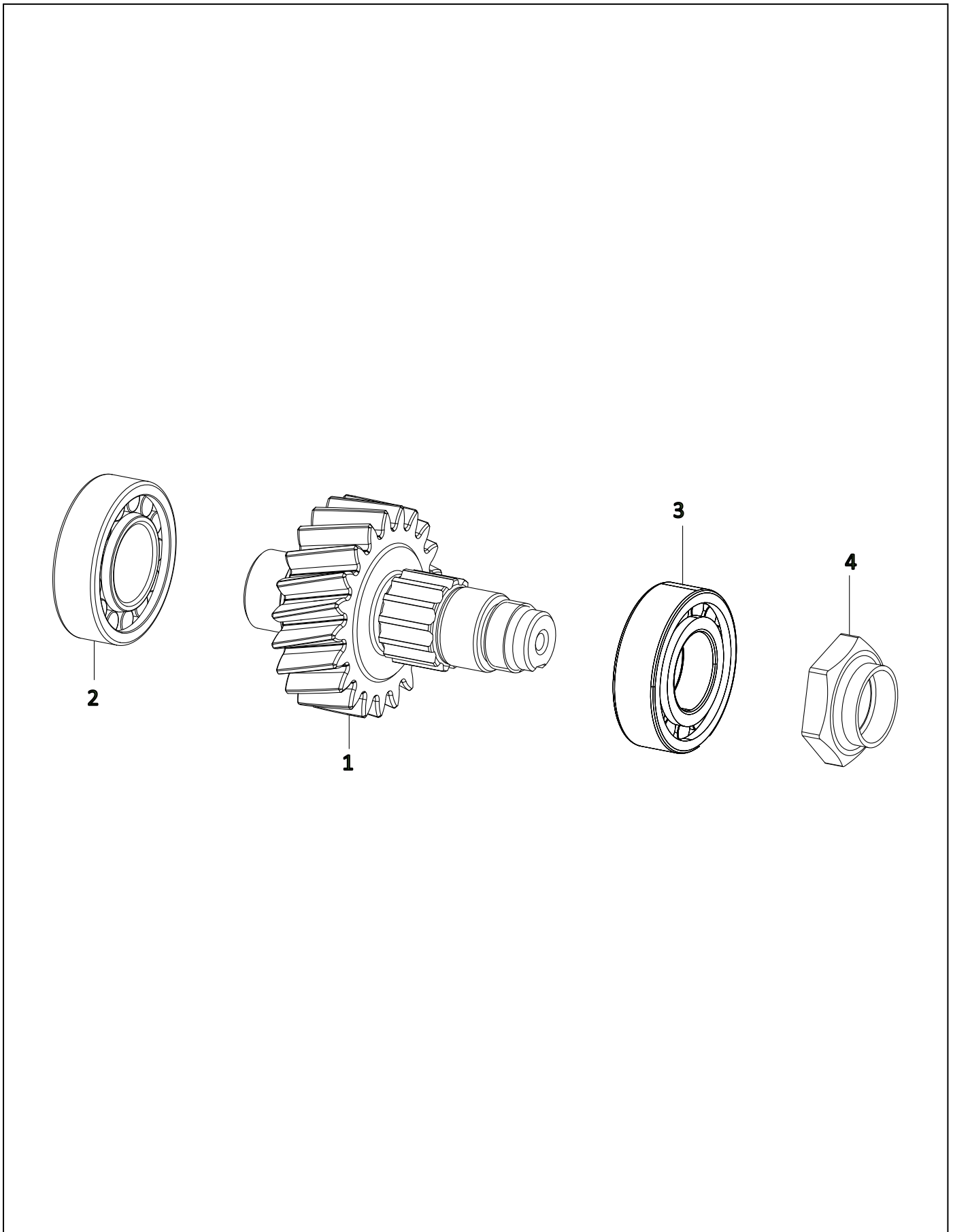


TABLE-18
SHAFT DRIVING SECONDARY CONSTANT MESH ASSEMBLY

Fig. No.	Part No.	Description	Qty
1	D10767330.9	SHAFT DRIVING SECONDARY Z-21	1
2	D10541490.9	BEARING ROLLER NJ 205	1
3	D11028660AA.9	BEARING ROLLER NUP205E	1
4	D83501280.9	NUT M22X1.5 HEX HEAD CRIMPING	1

TABLE-19
DRIVE TRAIN OUTPUT ASSEMBLY

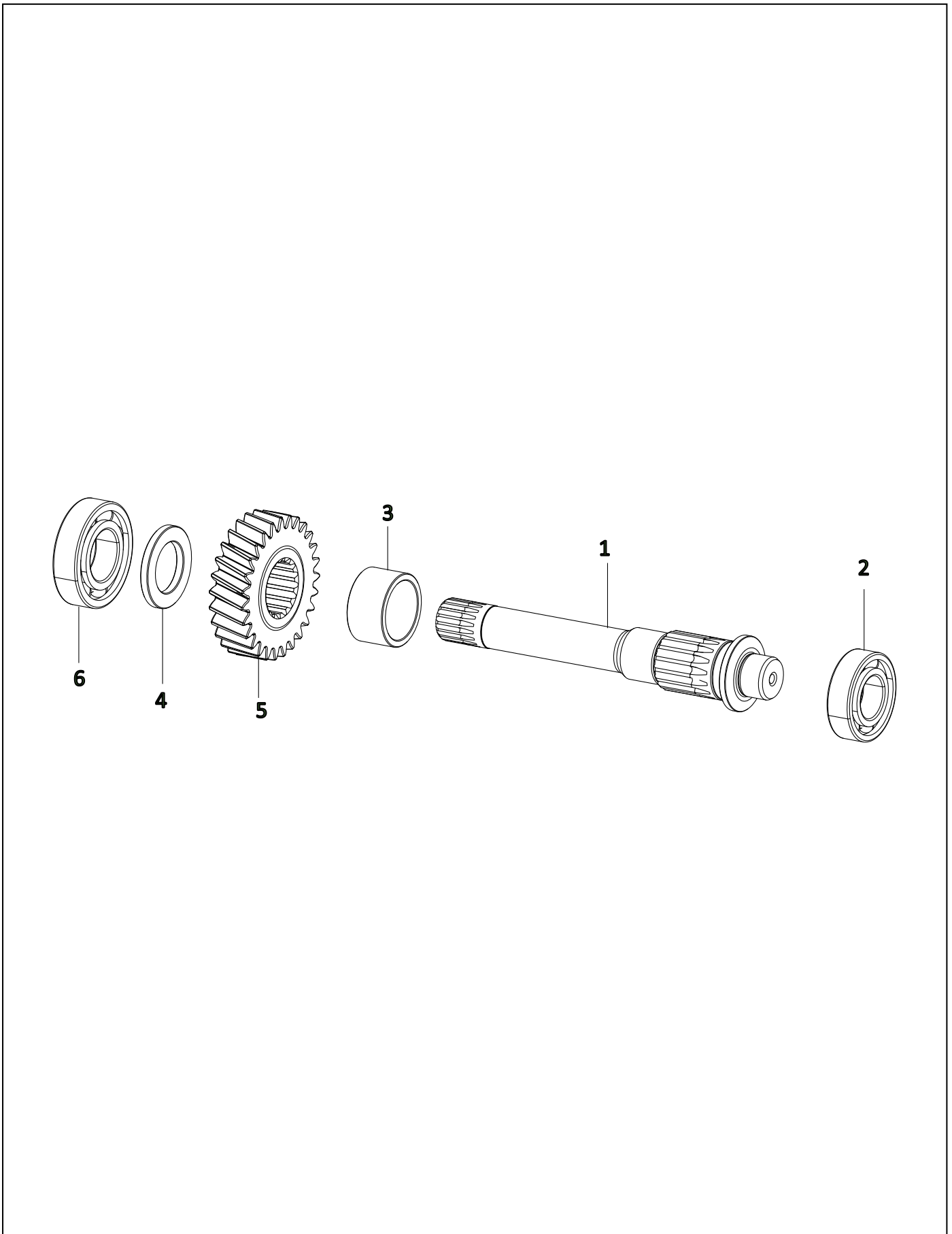


TABLE-19
DRIVE TRAIN OUTPUT ASSEMBLY

Fig. No.	Part No.	Description	Qty
1	D10767350.9	SHAFT TRANSMISSION OUTPUT COMPACT ELECTRIC	1
2	D10170190.9	BEARING BALL 6205	1
3	D10773940.9	SPACER 43X34.6X24.0	1
4	D10773950.9	SPACER 48X30X5.0	1
5	D10767340.9	GEAR DRIVEN SECONDARY Z-27	1
6	D10170200.9	BEARING BALL 6206	1

TABLE-20
DRIVE TRAIN 4WD ASSEMBLY ELECTRIC

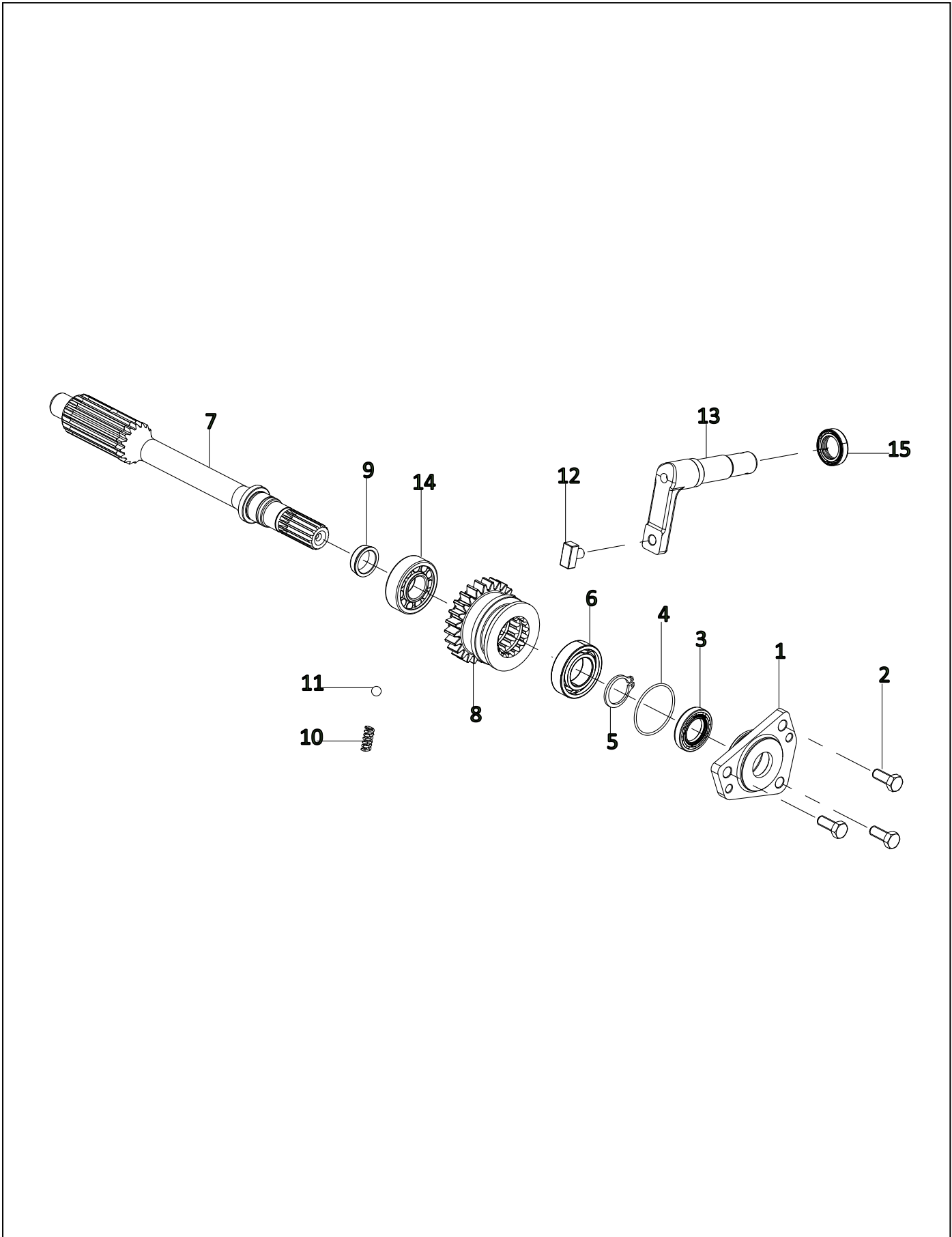


TABLE-20
DRIVE TRAIN 4WD ASSEMBLY ELECTRIC

Fig. No.	Part No.	Description	Qty
1	D10773900.9	RETAINER DROP BOX	1
2	D81500110.9	BOLT M8X1.25X20-8.8 HEX HEAD	3
3	D93601110.9	SEAL OIL 22X37X7.0	1
4	D93601120.9	SEAL O RING 1.78X42.0	1
5	D90000480.9	CIRCLIP A25X2.0 H	1
6	D10541470.9	BEARING BALL 6005	1
7	D10542280.9	SHAFT OUTPUT DROP BOX	1
8	D10542260.9	GEAR OUTPUT 4WD Z-25	1
9	D10583080.9	SPACER 20X26X8.0 SHAFT DROP BOX	1
10	D10548300AB.9	SPRING COMPRESSION GEAR (4WD)	1
11	D10006740.9	BALL 5/16" SNAP LOCK	1
12	D10252790.9	PIN PTO SHIFTER FORK	1
13	D10542300.9	LEVER 4WD ENGAGE	1
14	D10541500.9	BEARING ROLLER NJ 204	1
15	D10152510.9	SEAL OIL 20.0X30.0X7.0	1

TABLE-21
CLUTCH WET PTO SUBASSEMBLY ELECTRIC

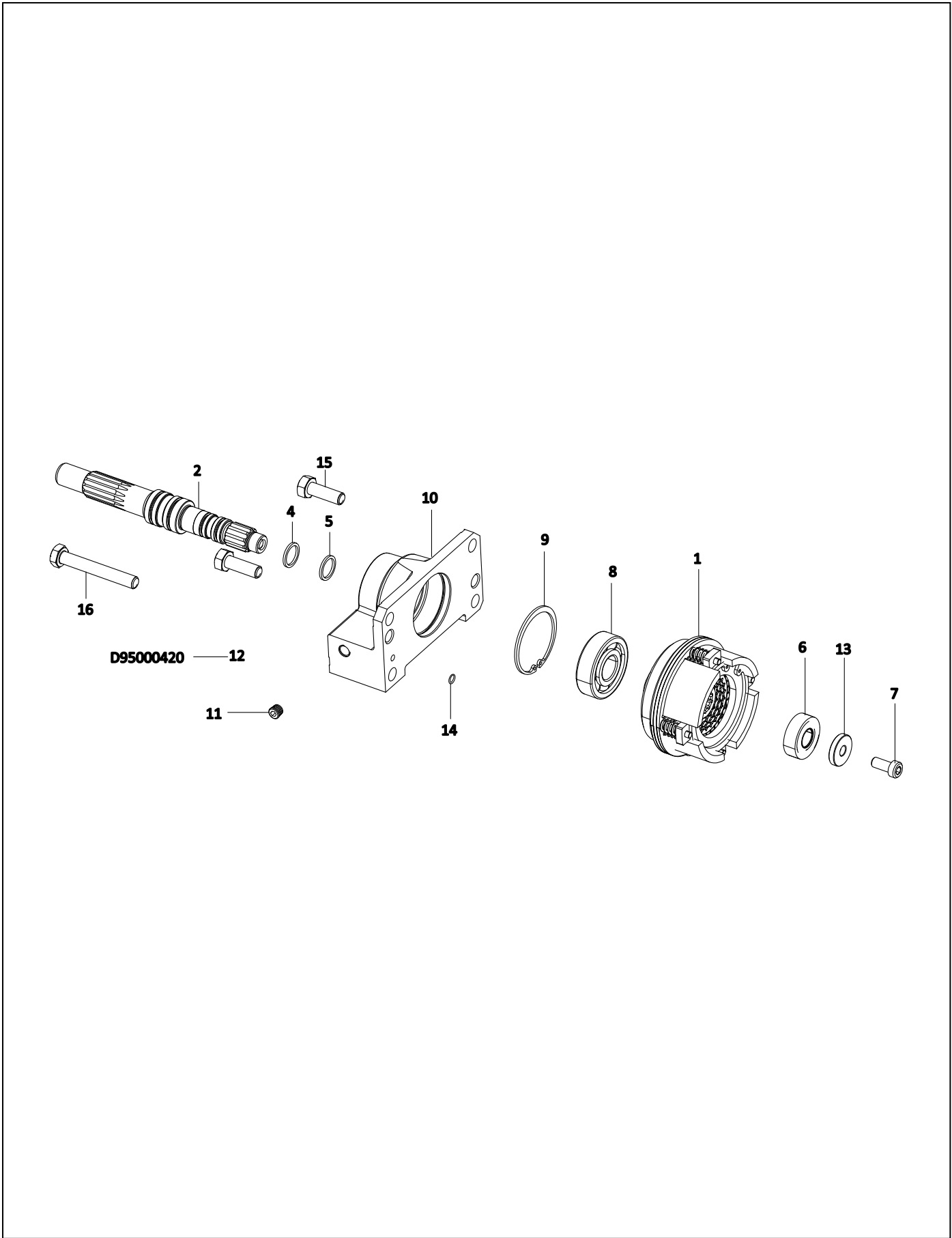


TABLE-21
CLUTCH WET PTO SUBASSEMBLY ELECTRIC

Fig. No.	Part No.	Description	Qty
1	D10580880.9	CLUTCH ASSEMBLY WET PTO	1
2	D10580900.9	SHAFT WET PTO CLUTCH OUTPUT	1
4	D93601240.9	SEAL OIL PTFE 16.35X20.25X1.85	2
5	D93601250.9	SEAL OIL PTFE 24.35X28.25X1.85	2
6	D10580910.9	BEARING BALL 6202 C3	1
7	D82500730.9	SCREW M8X1.25X18 ALLEN	1
8	D10541460.9	BEARING BALL 6304	1
9	D90500390.9	CIRCLIP B52X2.0 N	1
10	D10580920AD.9	RETAINER WET PTO CLUTCH	1
11	D93100060.9	PLUG 1/8-27 SOCKET HEX HEAD (STEEL)	1
12	D95000420.9	LOCTITE 262	AR
13	D85500900.9	WASHER 26X8X5 THRUST	1
14	D93601280.9	SEAL O RING 1.0X6.0	1
15	D81503880.9	BOLT M10X1.50X30-10.9 HEX HEAD (16 A/F)	3
16	D81503420.9	BOLT M10X1.50X70-10.9 HEX HEAD	1

TABLE-22
PLATE INTERMEDIATE TRANSMISSION ASSEMBLY (Z-24)

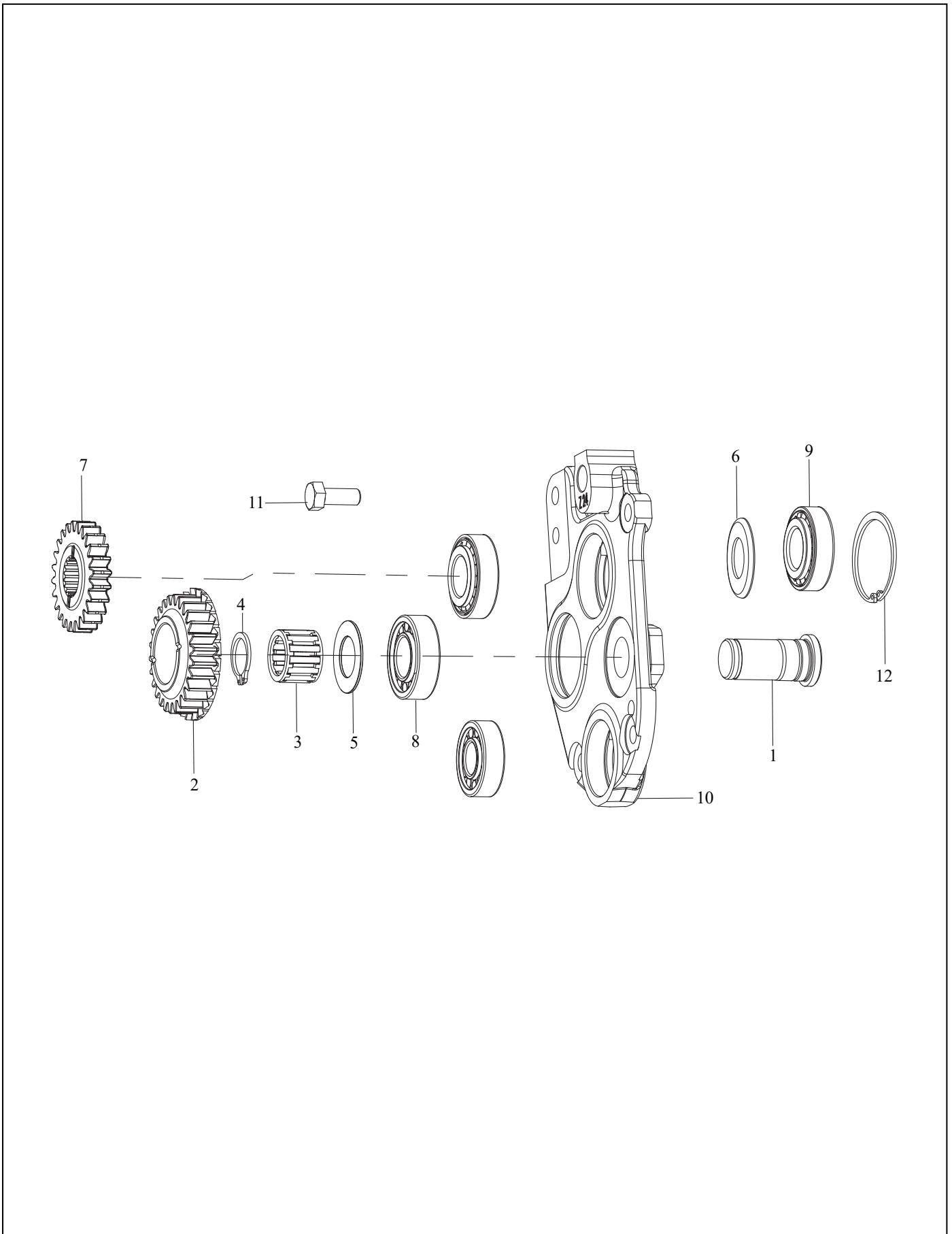


TABLE-22
PLATE INTERMEDIATE TRANSMISSION ASSEMBLY (Z-24)

Fig. No.	Part No.	Description	Qty
1	D10542270.9	SHAFT IDLER 4WD	1
2	D10542250.9	GEAR IDLER 4WD Z-26	1
3	D10106190.9	BEARING NEEDLE ROLLER (25X33X23.8)	1
4	D90000480.9	CIRCLIP A25X2.0 H	1
5	D86500190.9	WASHER 45X25X1.5	1
6	D10673250.9	WASHER THRUST GEAR 4WD IDLER	1
7	D10565690.9	GEAR DRIVER 4WD Z 24	1
8	D10541490.9	BEARING ROLLER NJ 205	1
9	D10001990.9	BEARING ASSEMBLY TRANSMISSION MAIN SHAFT REAR PILOT	1
10	D10565720.9	PLATE INTERMEDIATE TRANSMISSION Z 24	1
11	D81502150.9	BOLT M10X1.50X25-10.9 HEX HEAD	4
12	D90500390.9	CIRCLIP B52X2.0 N	1

TABLE-23
GEAR DRIVE TRAIN RANGE ASSEMBLY (9+3)

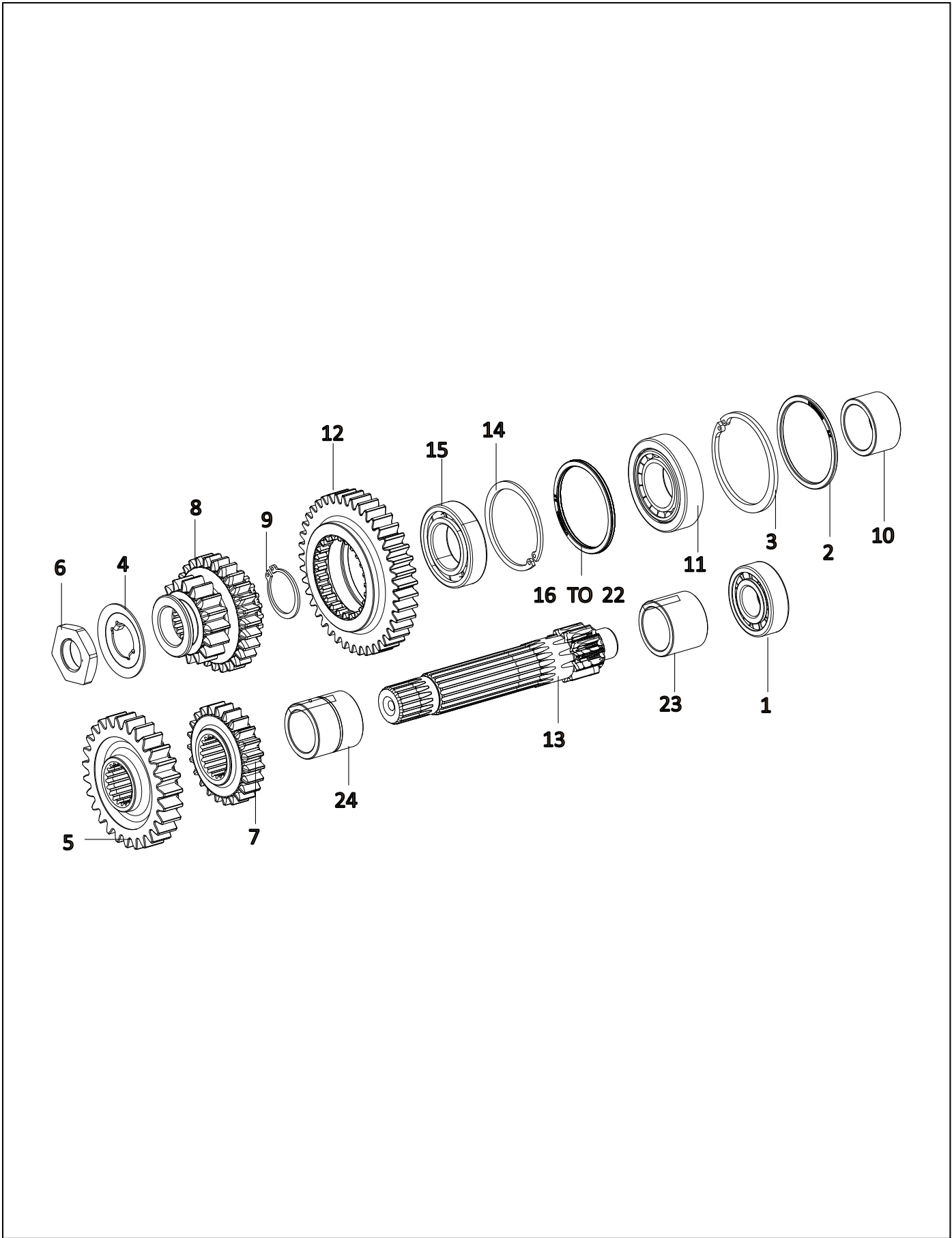


TABLE-23
GEAR DRIVE TRAIN RANGE ASSEMBLY (9+3)

Fig. No.	Part No.	Description	Qty
1	D10541500.9	BEARING ROLLER NJ 204	1
2	D10562420.9	SPACER GRADED PINION SHAFT (2.5 MM)	1
3	D90500320.9	CIRCLIP B62X3.0 H	1
4	D10547280.9	WASHER TAB LOCK	1
5	D10534980.9	GEAR DRIVING HIGH RANGE Z-27	1
6	D83501010.9	NUT M22X1.5 HEX HEAD (THICKNESS 8.0MM)	1
7	D10534990.9	GEAR DRIVING MEDIUM RANGE Z-23	1
8	D10535000.9	GEAR DRIVEN HIGH-MEDIUM RANGE Z-16/27	1
9	D90000080.9	CIRCLIP A30X1.5 N	1
10	D10541780.9	SPACER TAIL PINION SHAFT	1
11	D10052860.9	BEARING TAPPER ROLLER 30206	1
12	D10535010.9	GEAR DRIVEN LOW RANGE Z-41	1
13	D10534970.9	SHAFT RANGE DRIVING Z-11	1
14	D90500140.9	CIRCLIP B55X2 N INTERNAL (IS3075 PART-II)	1
15	D10541450.9	BEARING BALL 6006	1
16	D10562450.9	SPACER GRADED PINION SHAFT (2.8 MM)	1
17	D10562430.9	SPACER GRADED PINION SHAFT (2.6 MM)	1
18	D10562440.9	SPACER GRADED PINION SHAFT (2.7 MM)	1
19	D10562480.9	SPACER GRADED PINION SHAFT (3.1 MM)	1
20	D10562460.9	SPACER GRADED PINION SHAFT (2.9 MM)	1
21	D10562470.9	SPACER GRADED PINION SHAFT (3.0 MM)	1
22	D10562490.9	SPACER GRADED PINION SHAFT (3.2 MM)	1
23	D10541770AC.9	SPACER RANGE DRIVING LOW GEAR	1
24	D10541760AB.9	SPACER RANGE DRIVING HIGH GEAR	1

TABLE-24
RANGE GEAR SHIFTING ASSEMBLY (COMPACT)

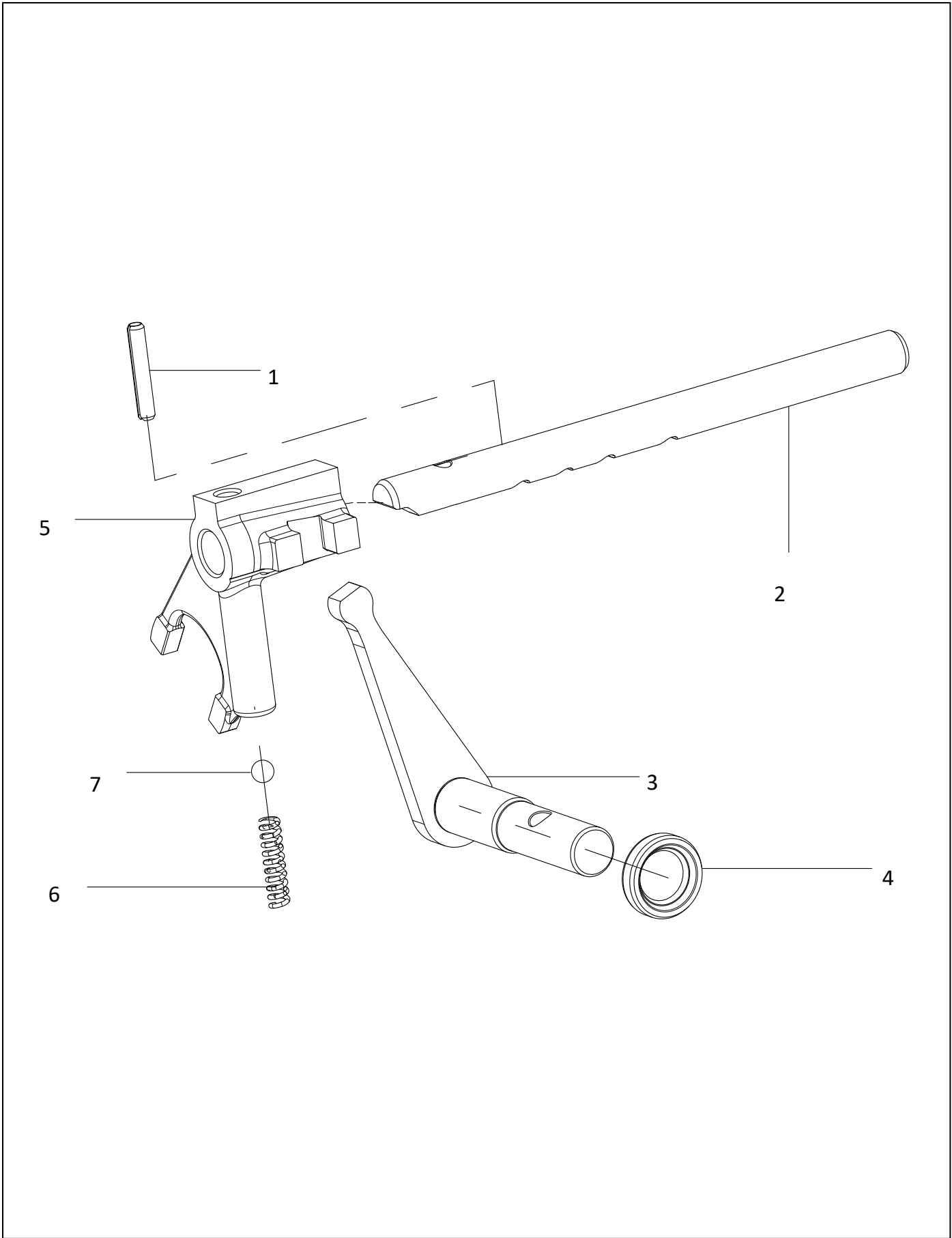


TABLE-24
RANGE GEAR SHIFTING ASSEMBLY (COMPACT)

Fig. No.	Part No.	Description	Qty
1	D87500700.9	PIN 6X30 SPRING DOWEL COMBINATION TYPE	1
2	D10535070.9	RAIL RANGE SHIFTING	1
3	D10535080.9	SHAFT AND LEVER ASSEMBLY RANGE SHIFTING	1
4	D10152510.9	SEAL OIL 20.0X30.0X7.0	1
5	D10535060AC.9	FORK RANGE SHIFTING	1
6	D10547290AD.9	SPRING RANGE GEAR SHIFT	1
7	D10006740.9	BALL 5/16" SNAP LOCK	1

TABLE-25
HOUSING REAR AXLE CENTRE SUBASSEMBLY (9+3)

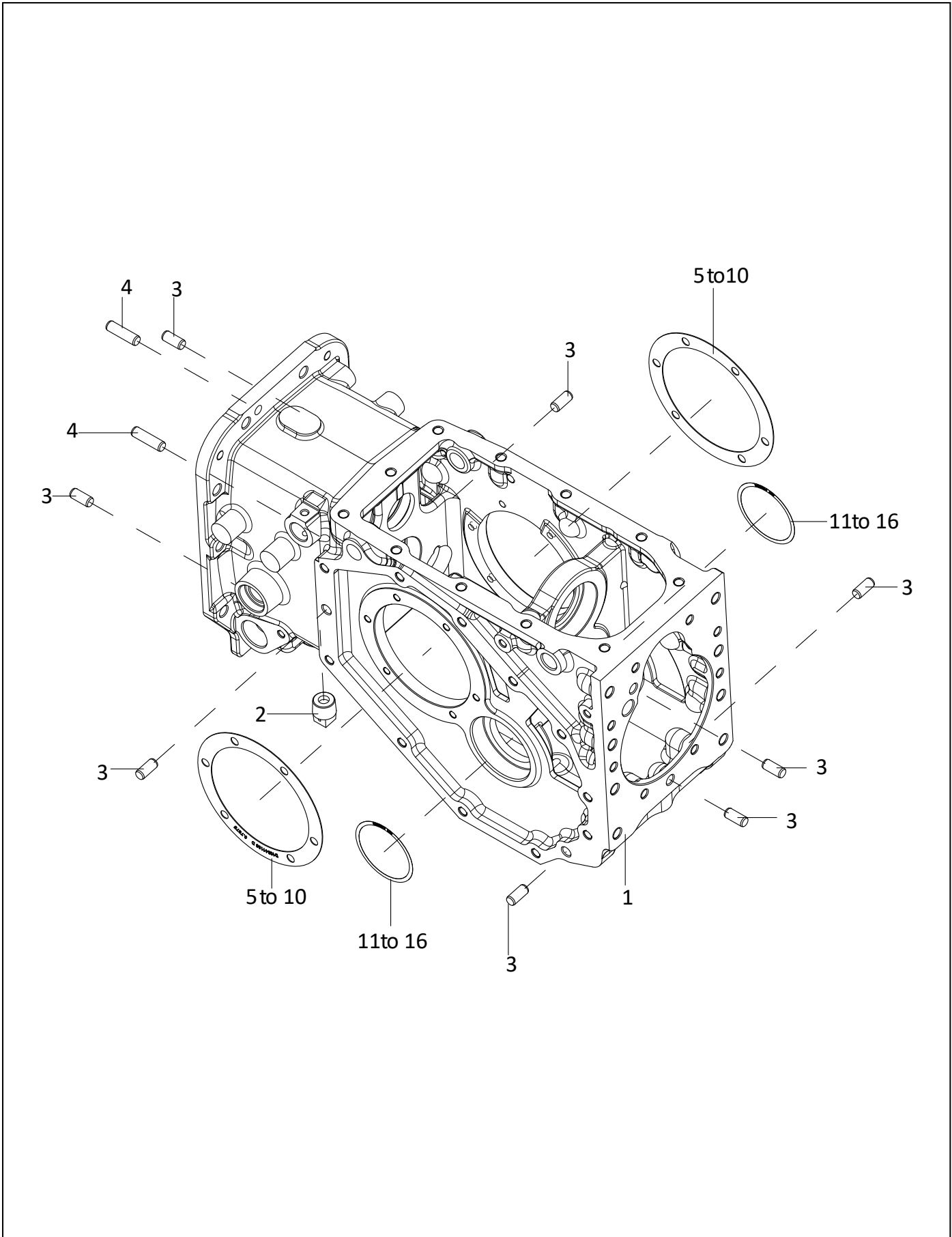


TABLE-25
HOUSING REAR AXLE CENTRE SUBASSEMBLY (9+3)

Fig. No.	Part No.	Description	Qty
1	D10888960.9	HOUSING REAR COMPACT ELECTRIC (REAR PTO)	1
2	D10213110.9	PLUG DRAIN 3/4-14 NPTF (MAGNETIC)	1
3	D87500030.9	PIN 10X22 DOWEL	8
4	D93400460.9	PIN 10X35 PLAIN DOWEL	2
5	D10541130.9	SHIM RETAINER DIFFERENTIAL (0.075 MM)	AR
6	D10541140.9	SHIM RETAINER DIFFERENTIAL (0.125 MM)	AR
7	D10541150.9	SHIM RETAINER DIFFERENTIAL (0.2285 MM)	AR
8	D10541160.9	SHIM RETAINER DIFFERENTIAL (0.4065 MM)	AR
9	D10541170.9	SHIM RETAINER DIFFERENTIAL (0.5335 MM)	AR
10	D10541180.9	SHIM RETAINER DIFFERENTIAL (0.7875 MM)	AR
11	D10537800.9	SHIM REAR AXLE SHAFT (0.075 MM)	AR
12	D10537810.9	SHIM REAR AXLE SHAFT (0.125 MM)	AR
13	D10537820.9	SHIM REAR AXLE SHAFT (0.2285 MM)	AR
14	D10537830.9	SHIM REAR AXLE SHAFT (0.4065 MM)	AR
15	D10537840.9	SHIM REAR AXLE SHAFT (0.5335 MM)	AR
16	D10537850.9	SHIM REAR AXLE SHAFT (0.7875 MM)	AR

TABLE-26
GEAR AND DIFFERENTIAL REAR AXLE SUBASSEMBLY

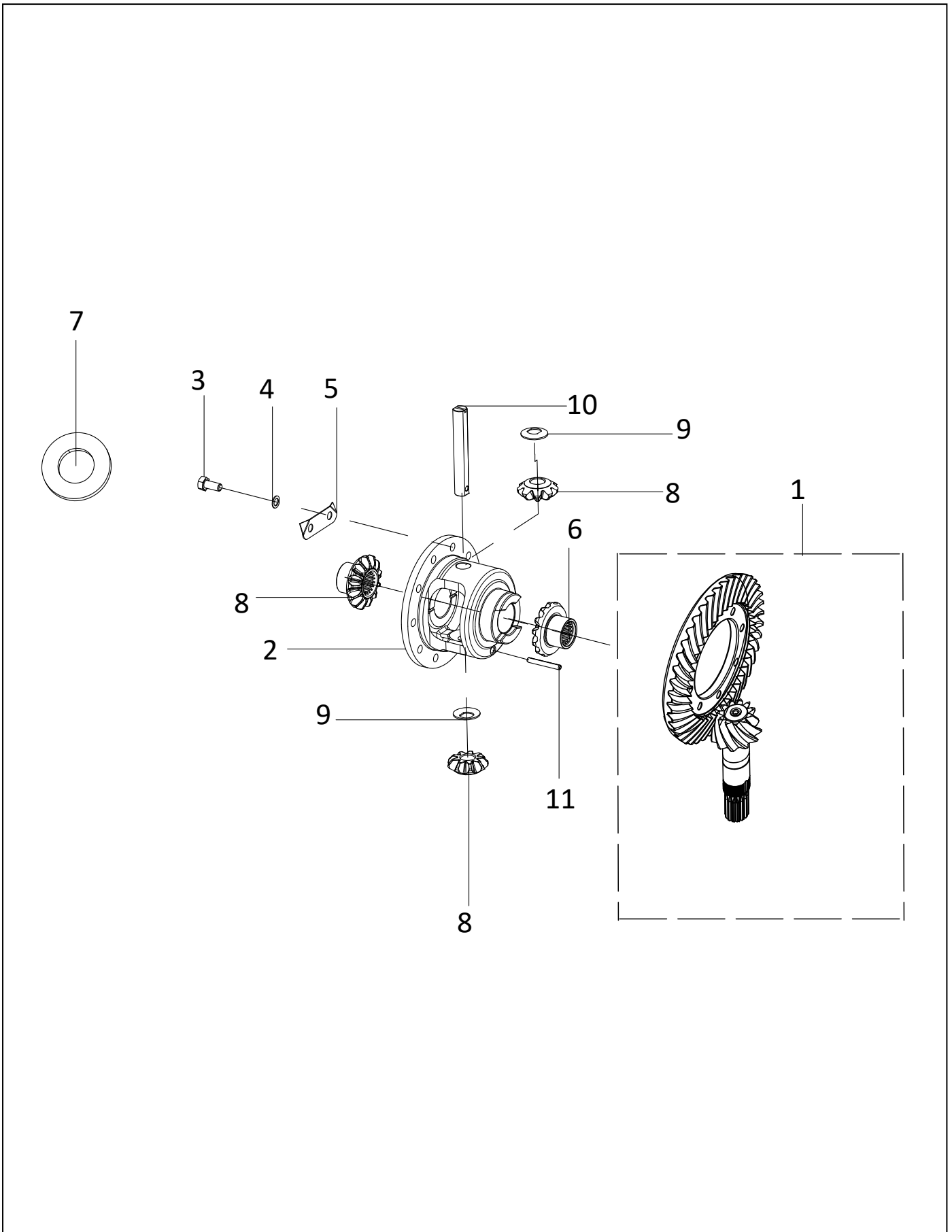


TABLE-26
GEAR AND DIFFERENTIAL REAR AXLE SUBASSEMBLY

Fig. No.	Part No.	Description	Qty
1	D10541050.9	GEAR SET BEVEL PINION AND CROWN WHEEL REAR AXLE Z-41/11	1
2	D10537130.9	CASING DIFFERENTIAL REAR AXLE	1
3	D82501060.9	SCREW M8X1.25X18-10.9 HEX HEAD	10
4	D85500440.9	WASHER 8.1X13X1.0 FLAT	10
5	D10536870.9	WASHER LOCK DIFFERENTIAL CROWN WHEEL GEAR	5
6	D10520880.9	BEVEL SIDE GEAR DIFFERENTIAL Z-13	2
7	D10536860.9	WASHER REAR AXLE DIFFERENTIAL THRUST	2
8	D10520890.9	PINION GEAR DIFFERENTIAL Z-9	2
9	D10536850.9	WASHER REAR AXLE DIFFERENTIAL PINION	2
10	D10536840AB.9	SPIDER REAR AXLE DIFFERENTIAL	1
11	D87500540.9	PIN 5X40 SPRING DOWEL	1

TABLE-27
DIFFERENTIAL LOCK SUBASSEMBLY

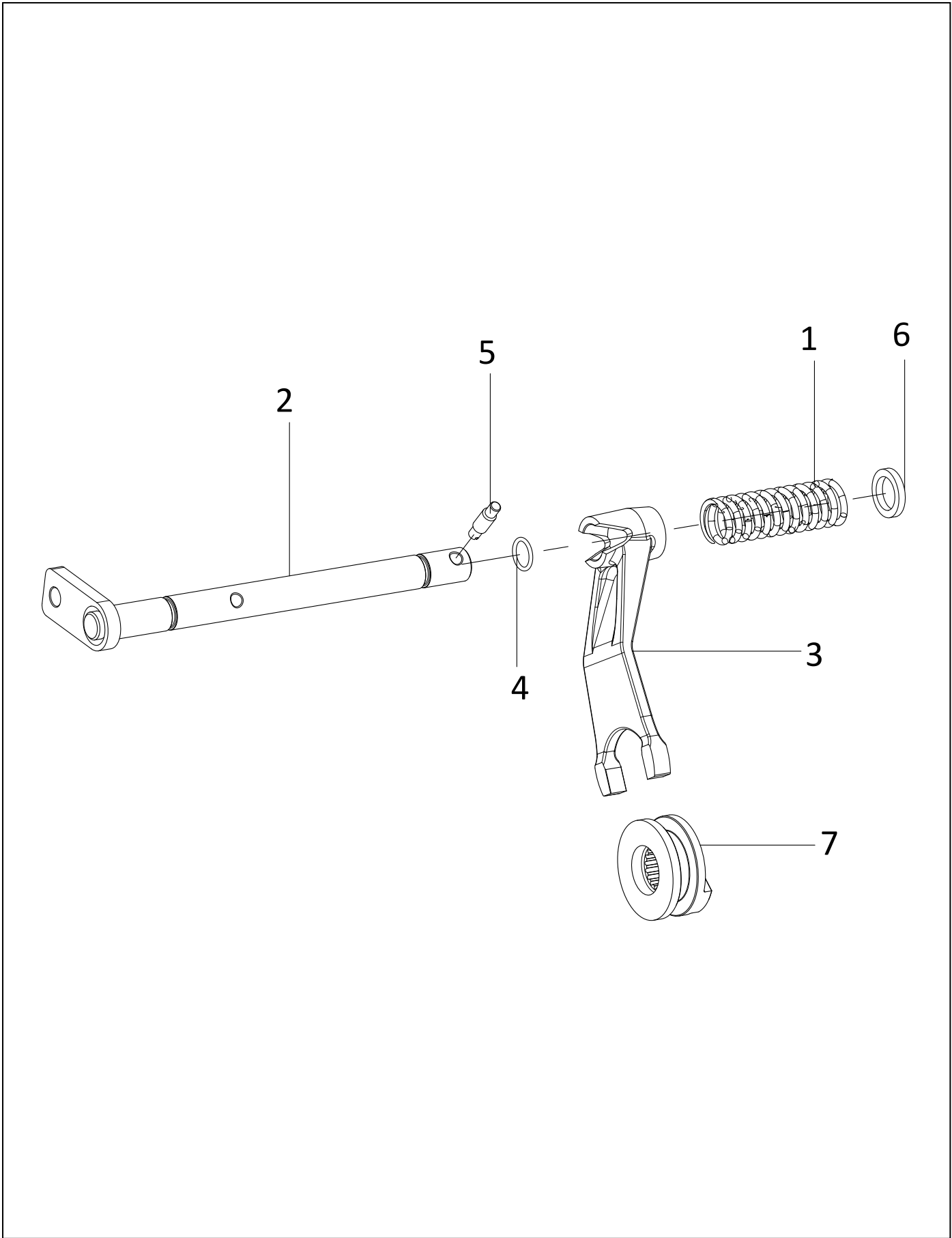


TABLE-27
DIFFERENTIAL LOCK SUBASSEMBLY

Fig. No.	Part No.	Description	Qty
1	D10541080.9	SPRING REAR AXLE DIFFERENTIAL LOCK	1
2	D10541100.9	SHAFT AND LEVER ASSEMBLY REAR AXLE DIFFERENTIAL LOCK	1
3	D10541110.9	FORK DIFFERENTIAL LOCK	1
4	D10007720.9	SEAL O RING 2.00X14.00	2
5	D10546180.9	PIN REAR AXLE DIFFERENTIAL LOCK SHAFT	2
6	D10550590.9	SPACER 18X26X4.0 FLAT	1
7	D10541090.9	SLEEVE REAR AXLE DIFFERENTIAL LOCK	1

TABLE-28
RETAINER BEARING DIFFERENTIAL SUBASSEMBLY LH

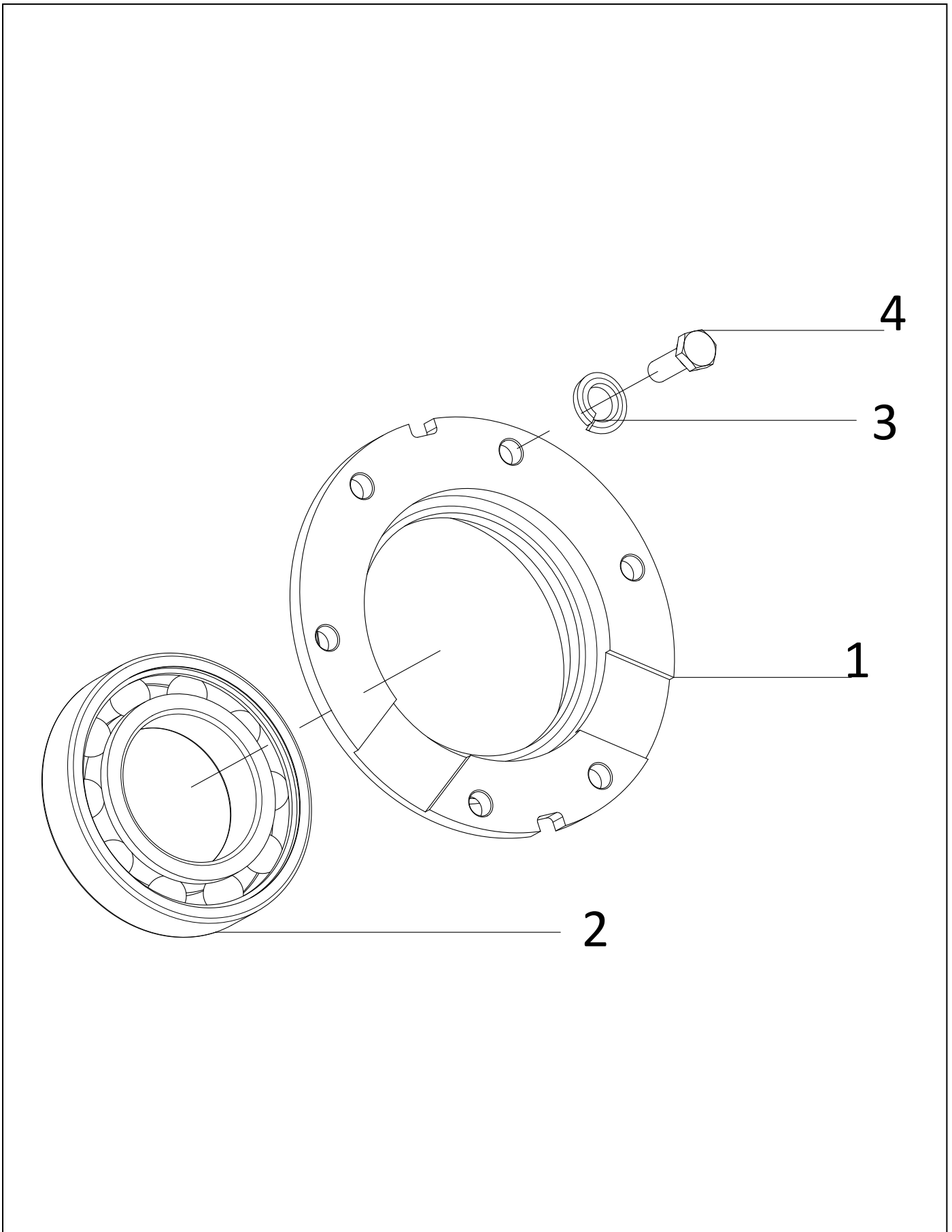


TABLE-28
RETAINER BEARING DIFFERENTIAL SUBASSEMBLY LH

Fig. No.	Part No.	Description	Qty
1	D10537770.9	RETAINER BEARING DIFFERENTIAL LH	1
2	D10584630.9	BALL BEARING 6211 CN	1
3	D86500030AC.9	WASHER M8 SPRING LOCK	6
4	D82500080.9	SCREW M8X1.25X25-8.8 HEX HEAD	6

TABLE-29
RETAINER BEARING DIFFERENTIAL SUBASSEMBLY RH

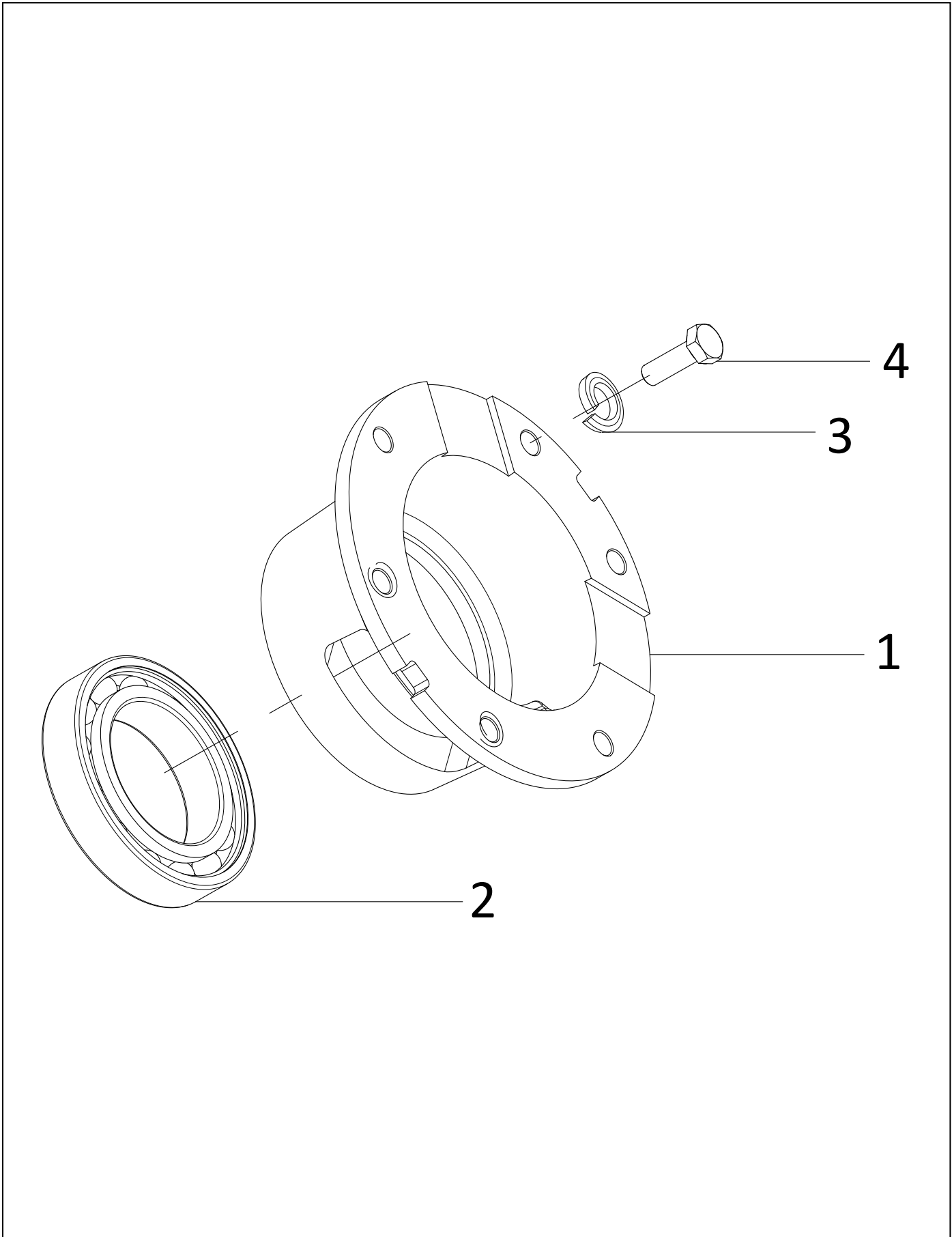


TABLE-29
RETAINER BEARING DIFFERENTIAL SUBASSEMBLY RH

Fig. No.	Part No.	Description	Qty
1	D10537780.9	RETAINER BEARING DIFFERENTIAL RH	1
2	D10541480.9	BEARING BALL 6011	1
3	D86500030.9	WASHER M8 SPRING LOCK	6
4	D82500080.9	SCREW M8X1.25X25-8.8 HEX HEAD	6

TABLE-30
HOUSING REAR AXLE RH SUBASSEMBLY

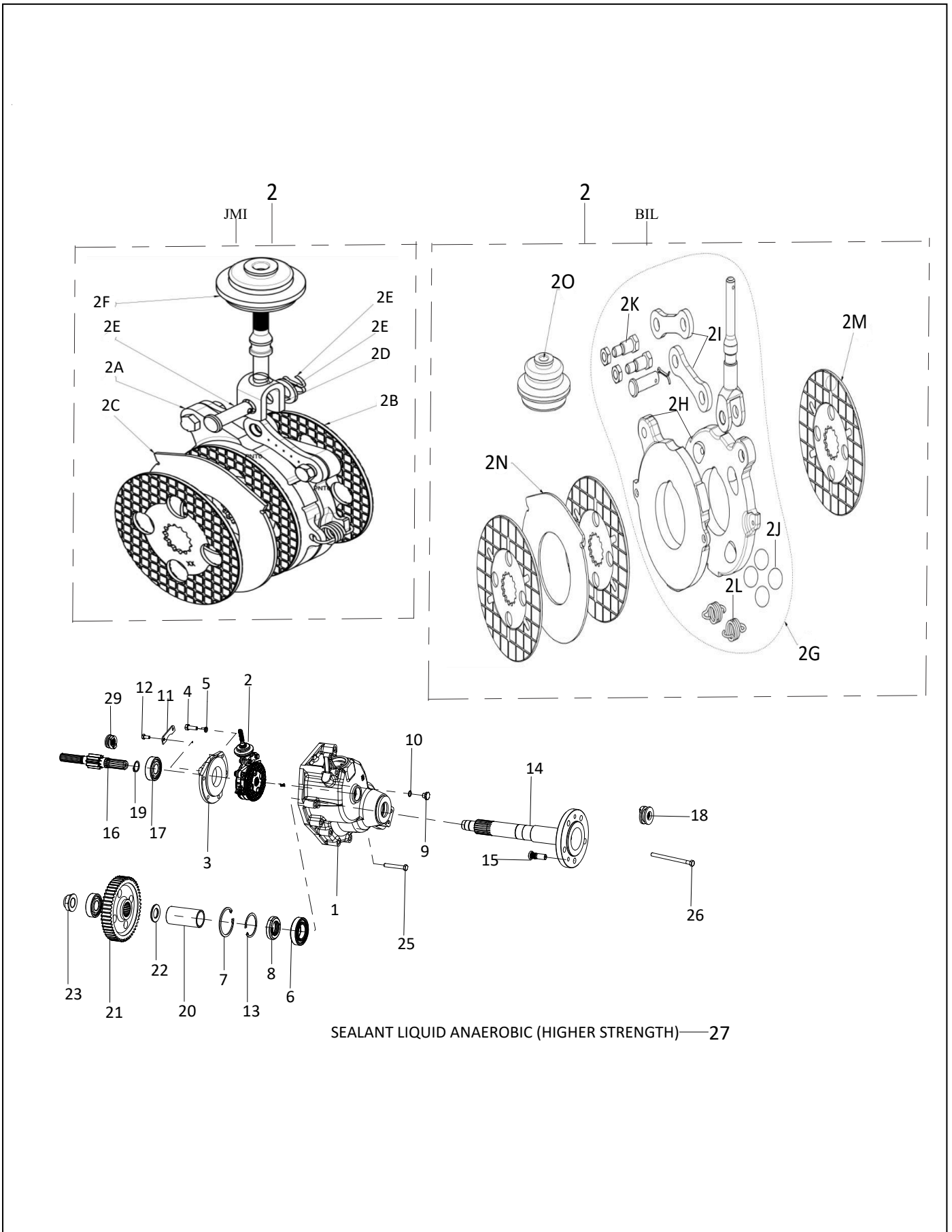


TABLE-30
HOUSING REAR AXLE RH SUBASSEMBLY

Fig. No.	Part No.	Description	Qty
1	D10777560BA.9	HOUSING REAR AXLE RH	1
2	D10507990AD.9	BRAKE ASSEMBLY REAR WHEEL 4.5 (WET TYPE)	1
2A	D11086040AA.9	ACTUATING UNIT BRAKE ASSEMBLY (M/S JMI PART NO. NB570)	2
2B	D11086080AA.9	DISC FRICTION BRAKE ASSEMBLY (M/S JMI PART NO. NB29067)	6
2C	D11086100AA.9	DISC INTERMEDIATE BRAKE ASSEMBLY (M/S JMI PART NO. NB30048)	2
2D	D11086120AA.9	PULL ROD BRAKE ACTUATOR ASSEMBLY (M/S JMI PART NO. NB13029)	2
2E	D12046880AA.9	KIT BRAKE PARTS (M/S JMI PART NO. KT50037)	2
2F	D11086170AA.9	BOOT RUBBER BRAKE ASSEMBLY (M/S JMI PART NO. NB12005)	2
2G	D10558350.9	ACTUATING UNIT ASSY	2
2H	D10558380.9	KIT ACTUATOR ASSEMBLY (M/S BIL PART NO 29932789)	2
2I	D10558390.9	KIT LINK BRAKE ASSEMBLY (M/S BIL PART NO 29932790)	2
2J	D10558400.9	KIT BALL BRAKE ASSEMBLY (M/S BIL PART NO 29932791)	2
2K	D10558410.9	KIT PIVOT PIN BRAKE ASSEMBLY (M/S BIL PART NO 29932369)	4
2L	D10558420.9	KIT SPRING BRAKE ASSEMBLY (M/S BIL PART NO 29920260)	2
2M	D10558360.9	FRICTION DISK	6
2N	D10558370.9	DISK	2
2O	D10181170.9	BOOT EXTERNAL REAR WHEEL BRAKE LINKAGE (DIA 50)	2
3	D10537790.9	HOUSING BRAKE INNER RH	1
4	D81503880.9	BOLT M10X1.50X30-10.9 HEX HEAD (16 A/F)	5
5	D86500090.9	WASHER M10 SPRING LOCK	11
6	D10618950.9	BEARING BALL 6209 CN	1
7	D90500060.9	CIRCLIP B85X2.5 N	1
8	D93601420.9	SEAL OIL 45X70X14.0	1
9	D10006570.9	PLUG DRAIN M14X1.5X10	1
10	D10513210.9	WASHER BONDED SEAL 14.7X22.0X1.5	1
11	D10580870.9	WASHER LOCK BULL PINION SHAFT BEARING	1
12	D82501060.9	SCREW M8X1.25X18-10.9 HEX HEAD	2
13	D90500470.9	CIRCLIP B70X1.5 N	1
14	D10527500.9	SHAFT AXLE REAR	1
15	D10579620.9	BOLT M16X1.5X48-10.9 REAR WHEEL	5
16	D10536470.9	SHAFT BULL PINION RH (Z-9)	1
17	D10533260.9	BEARING BALL 6306	1
18	D10541090.9	SLEEVE REAR AXLE DIFFERENTIAL LOCK	1
19	D90000560.9	CIRCLIP A30.0X2.0 H	1
20	D10527440AB.9	SPACER BULL GEAR LOCKING	1
21	D10527450.9	GEAR DRIVEN FINAL DRIVE REDUCTION (Z-53)	1
22	D10527460.9	SPACER AXLE SHAFT INNER	1
23	D10536480.9	NUT CRIMPING M30X1.5	1
25	D81503420.9	BOLT M10X1.50X70-10.9 HEX HEAD	10
26	D81503890.9	BOLT M10X1.50X143-10.9 HEX HEAD (16 A/F)	1

TABLE-30
HOUSING REAR AXLE RH SUBASSEMBLY

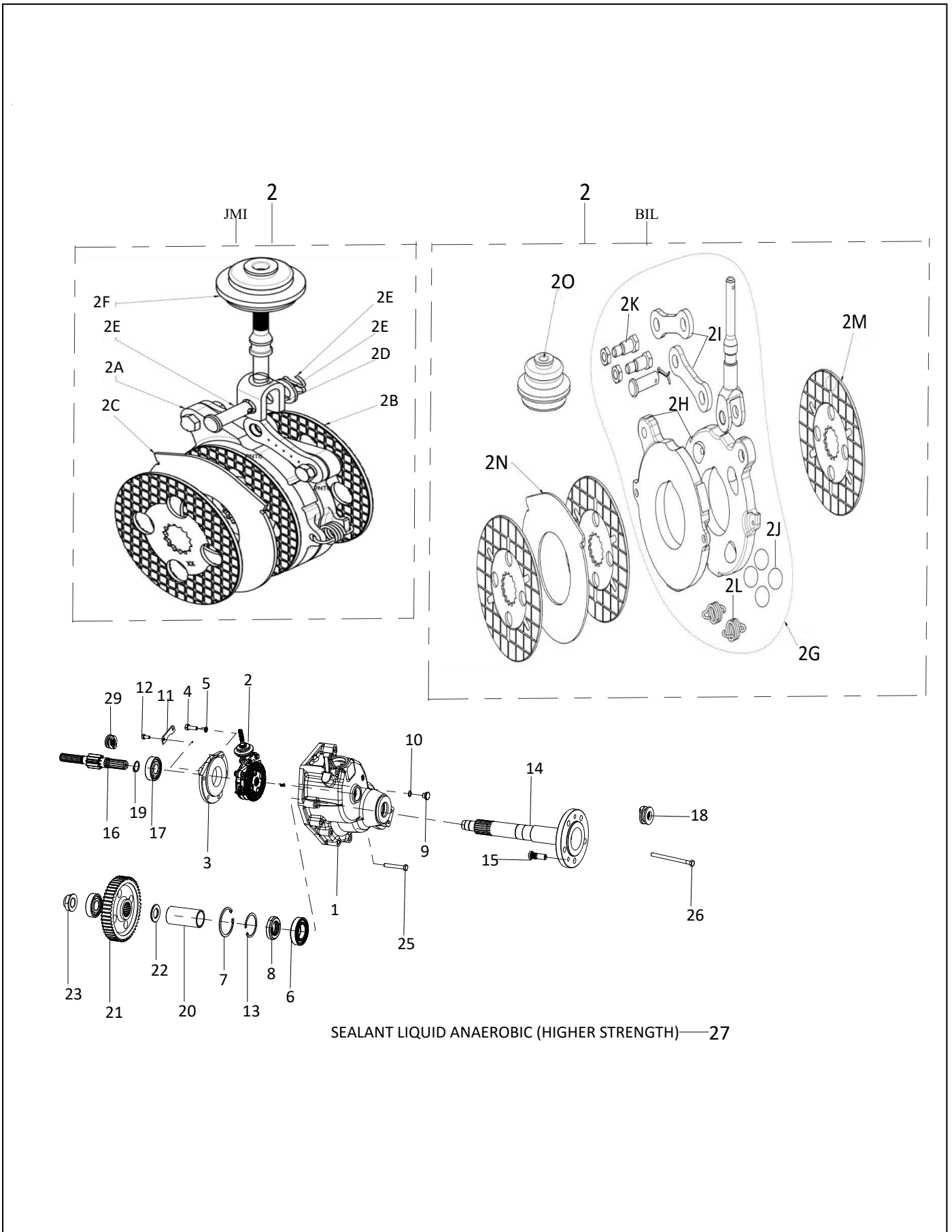


TABLE-30
HOUSING REAR AXLE RH SUBASSEMBLY

Fig. No.	Part No.	Description	Qty
27	D95013250.9	SEALANT LIQUID ANAEROBIC (HIGHER STRENGTH)	9
28	D95000750.9	LOCTITE L-515	AR
29	D10541090.9	SLEEVE REAR AXLE DIFFERENTIAL LOCK	1
30	D95000130.9	LOCTITE CAT - 577	AR
31	D95004560.9	LOCTITE 542	AR

TABLE-31
HOUSING REAR AXLE LH SUBASSEMBLY

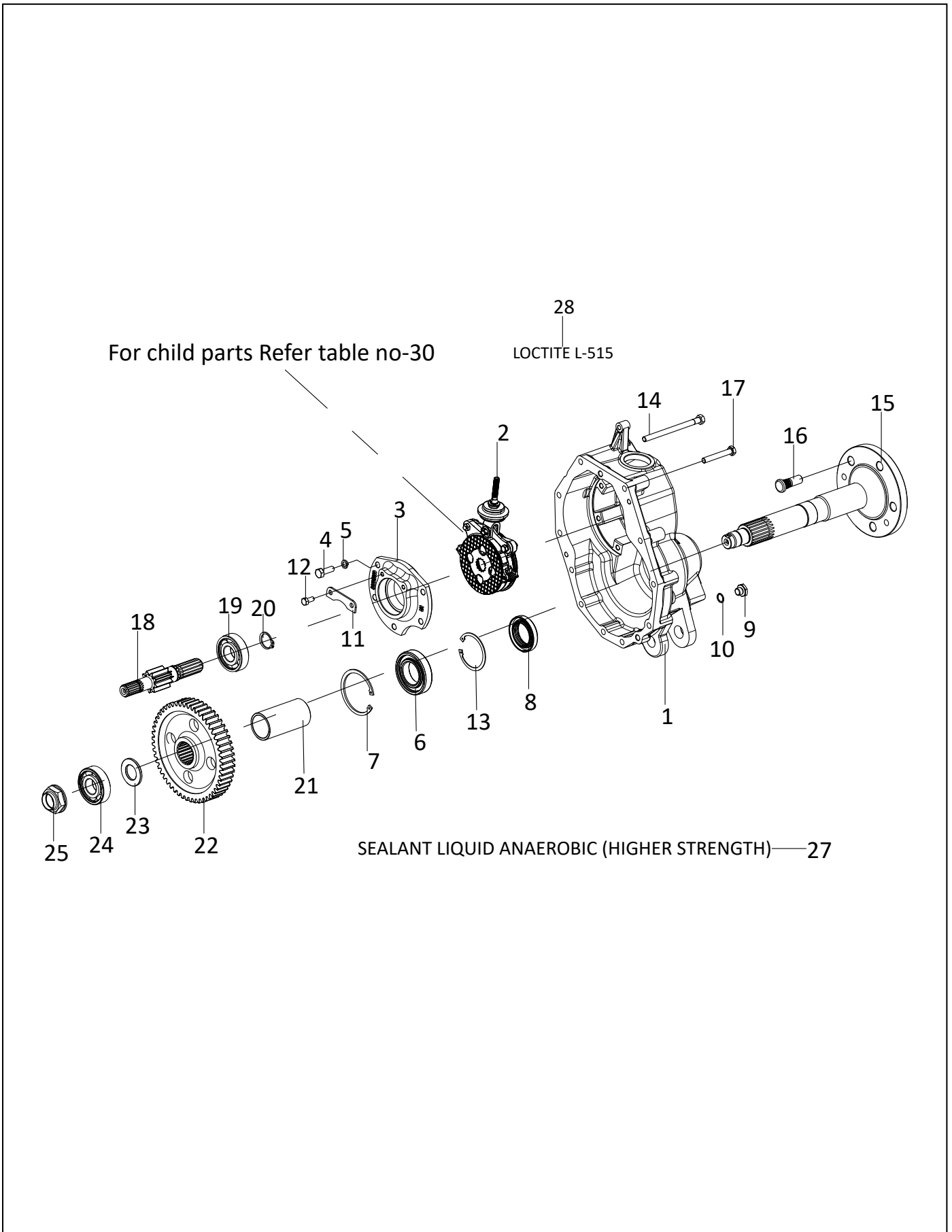


TABLE-31
HOUSING REAR AXLE LH SUBASSEMBLY

Fig. No.	Part No.	Description	Qty
1	D10777550BA.9	HOUSING REAR AXLE LH	1
2	D10507990AD.9	BRAKE ASSEMBLY REAR WHEEL 4.5 (WET TYPE)	1
3	D10543900.9	HOUSING BRAKE INNER LH	1
4	D81503880.9	BOLT M10X1.50X30-10.9 HEX HEAD (16 A/F)	5
5	D86500090.9	WASHER M10 SPRING LOCK	16
6	D10618950.9	BEARING BALL 6209 CN	1
7	D90500060.9	CIRCLIP B85X2.5 N	1
8	D93601420.9	SEAL OIL 45X70X14.0	1
9	D10006570.9	PLUG DRAIN M14X1.5X10	1
10	D10513210.9	WASHER BONDED SEAL 14.7X22.0X1.5	1
11	D10580870.9	WASHER LOCK BULL PINION SHAFT BEARING	1
12	D82501060.9	SCREW M8X1.25X18-10.9 HEX HEAD	2
13	D90500470.9	CIRCLIP B70X1.5 N	1
14	D81503890.9	BOLT M10X1.50X143-10.9 HEX HEAD (16 A/F)	1
15	D10527500.9	SHAFT AXLE REAR	1
16	D10579620.9	BOLT M16X1.5X48-10.9 REAR WHEEL	5
17	D81503420.9	BOLT M10X1.50X70-10.9 HEX HEAD	10
18	D10536460.9	SHAFT BULL PINION LH (Z-9)	1
19	D10533260.9	BEARING BALL 6306	1
20	D90000560.9	CIRCLIP A30.0X2.0 H	1
21	D10527440AB.9	SPACER BULL GEAR LOCKING	1
22	D10527450.9	GEAR DRIVEN FINAL DRIVE REDUCTION (Z-53)	1
23	D10527460.9	SPACER AXLE SHAFT INNER	1
24	D10533260.9	BEARING BALL 6306	1
25	D10536480.9	NUT CRIMPING M30X1.5	1
27	D95013250.9	SEALANT LIQUID ANAEROBIC (HIGHER STRENGTH)	9
28	D95000750.9	LOCTITE L-515	AR

TABLE-32
DRIVE TRAIN PTO AND SHIFTING SUBASSEMBLY

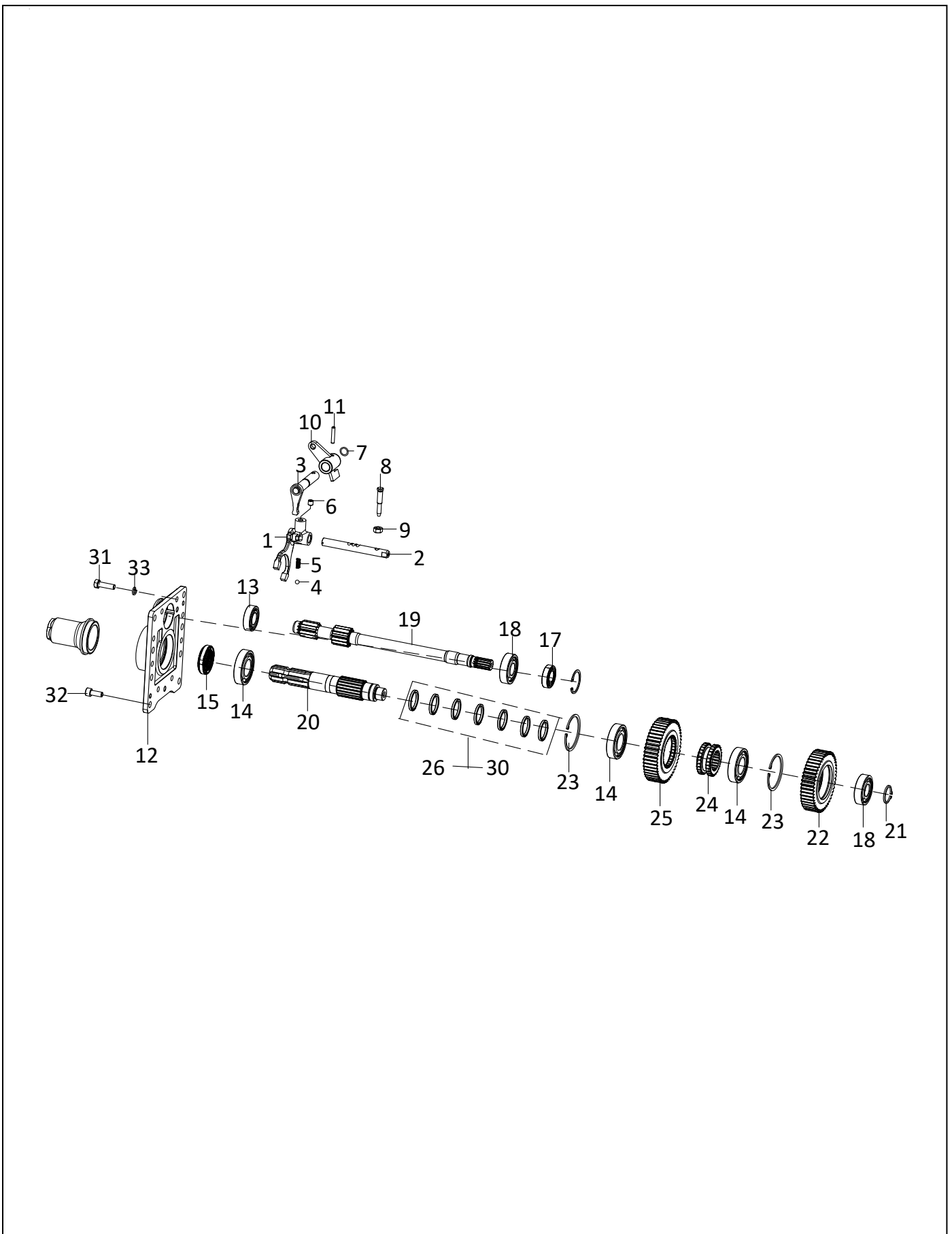


TABLE-32
DRIVE TRAIN PTO AND SHIFTING SUBASSEMBLY

Fig. No.	Part No.	Description	Qty
1	D10541350AC.9	FORK PTO SHIFTING	1
2	D10541360.9	RAIL PTO SHIFTING	1
3	D10541370.9	LEVER PTO SHIFTING	1
4	D10006740.9	BALL 5/16" SNAP LOCK	1
5	D10543910AB.9	SPRING PTO SHIFTING	1
6	D82501100.9	SCREW GRUB M10X1.5X10 - 45H	1
7	D10007720.9	SEAL O RING 2.00X14.00	1
8	D10543890.9	SCREW PTO RAIL LOCK	1
9	D83500090.9	NUT M10X1.50-8 HEX	1
10	D10556870.9	LEVER AND HUB ASSEMBLY GEAR SHIFTING TRANSMISSION (PTO)	1
11	D10683440.9	PIN 6.0X35 SPRING DOWEL COMBINATION TYPE	1
12	D10541340.9	RETAINER PTO OUTPUT SHAFT	1
13	D10541490.9	BEARING ROLLER NJ 205	1
14	D10001040.9	BEARING BALL PTO COUNTERSHAFT	2
15	D10452820AD.9	SEAL OIL 35X60X14.5 PTO OUTPUT SHAFT	1
17	D10002140.9	BEARING BALL PTO SHAFT REAR AXLE	1
18	D10170170.9	BEARING BALL 6305	2
19	D10538810.9	SHAFT INPUT PTO (Z-13 / Z-11)	1
20	D10541320AC.9	SHAFT PTO OUTPUT	1
21	D90000550.9	CIRCLIP A35.0X2.5 H	1
22	D10538830.9	GEAR PTO DRIVEN (Z-49)	1
23	D90000240.9	CIRCLIP B72X2.5 N	2
24	D10538860.9	SLEEVE PTO SHIFTING	1
25	D10538850.9	GEAR PTO DRIVEN (Z-51)	1
26	D10590350.9	SPACER PTO OUTPUT SHAFT (4.7 MM)	2
27	D10590360.9	SPACER PTO OUTPUT SHAFT (4.8 MM)	2
28	D10590370.9	SPACER PTO OUTPUT SHAFT (4.9 MM)	2
29	D10590380.9	SPACER PTO OUTPUT SHAFT (5.0 MM)	2
30	D10590390.9	SPACER PTO OUTPUT SHAFT (5.1 MM)	2
31	D81503870.9	BOLT M10X1.50X35-10.9 HEX HEAD (16 A/F)	4
32	D81503270.9	BOLT M10X25X1.5-10.9 ALLEN	4
33	D86500090.9	WASHER M10 SPRING LOCK	4

TABLE-33
TRANSMISSION ASSEMBLY DRESSED UP (REAR PTO)

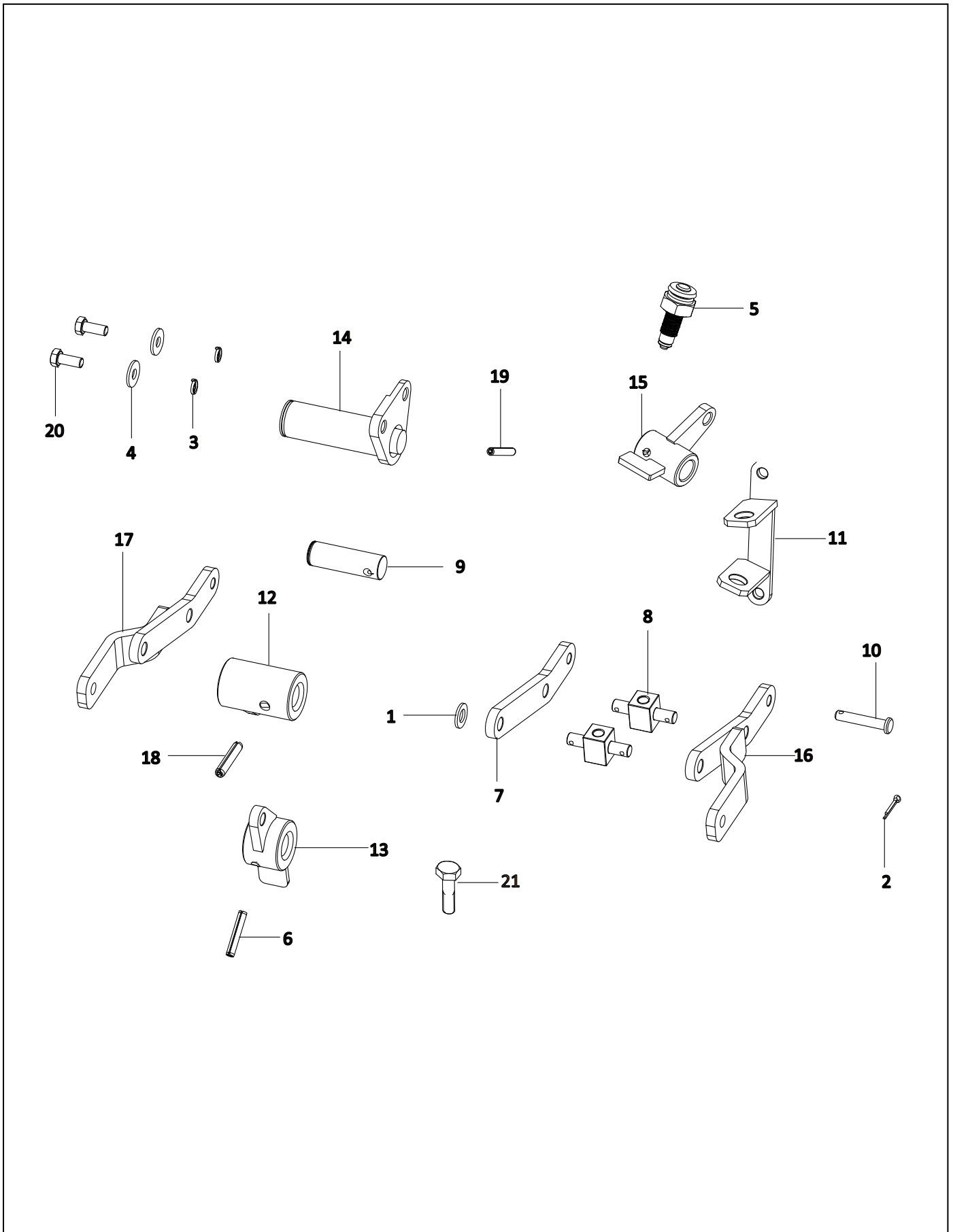


TABLE-33
TRANSMISSION ASSEMBLY DRESSED UP (REAR PTO)

Fig. No.	Part No.	Description	Qty
1	D85500140.9	WASHER M10 FLAT	10
2	D10013460.9	PIN 1/8"X0.75" COTTER	10
3	D86500030.9	WASHER M8 SPRING LOCK	4
4	D10009600.9	WASHER 8.5X22 FLAT PHOSPHATED	4
5	D10498400AB.9	SWITCH ASSEMBLY STOP LAMP	3
6	D87000160.9	PIN 1/4"X1.50" SPRING DOWEL COMBINATION TYPE	2
7	D10552410.9	LEVER BRAKE PEDAL REAR	2
8	D10552400.9	BLOCK SWIVEL BRAKE PEDAL REAR	4
9	D10552680.9	PIN LEVER 2WD 4WD ASSEMBLY	1
10	D93400450.9	PIN 10X45 CLEVIS	2
11	D10559610.9	BRACKET PTO GEAR SHIFT SWITCH HOLDING ASSEMBLY	1
12	D10552770.9	LEVER AND HUB ASSEMBLY GEAR SHIFTING TRANSMISSION (HIGH LOW MEDIUM)	1
13	D10552650.9	LEVER AND HUB ASSEMBLY GEAR SHIFTING TRANSMISSION (2WD 4WD)	1
14	D11465640AA.9	BRACKET ASSEMBLY HIGH LOW MEDIUM AND PTO LEVER HOLDING	1
15	D10556870.9	LEVER AND HUB ASSEMBLY GEAR SHIFTING TRANSMISSION (PTO)	1
16	D10554200.9	LEVER ASSEMBLY BRAKE PEDAL REAR RH	1
17	D10554230.9	LEVER ASSEMBLY BRAKE PEDAL REAR LH	1
18	D87500330.9	PIN 8X40 SPRING DOWEL COMBINATION TYPE	1
19	D10683440.9	PIN 6.0X35 SPRING DOWEL COMBINATION TYPE	1
20	D82500040.9	SCREW M8X1.25X20-8.8 HEX HEAD	2
21	D81500310.9	SCREW M8X1.25X30-8.8 HEX HEAD	2

TABLE-34
HARDWARE BUCKLE UP TRANSMISSION AND REAR AXLE SUBASSEMBLY

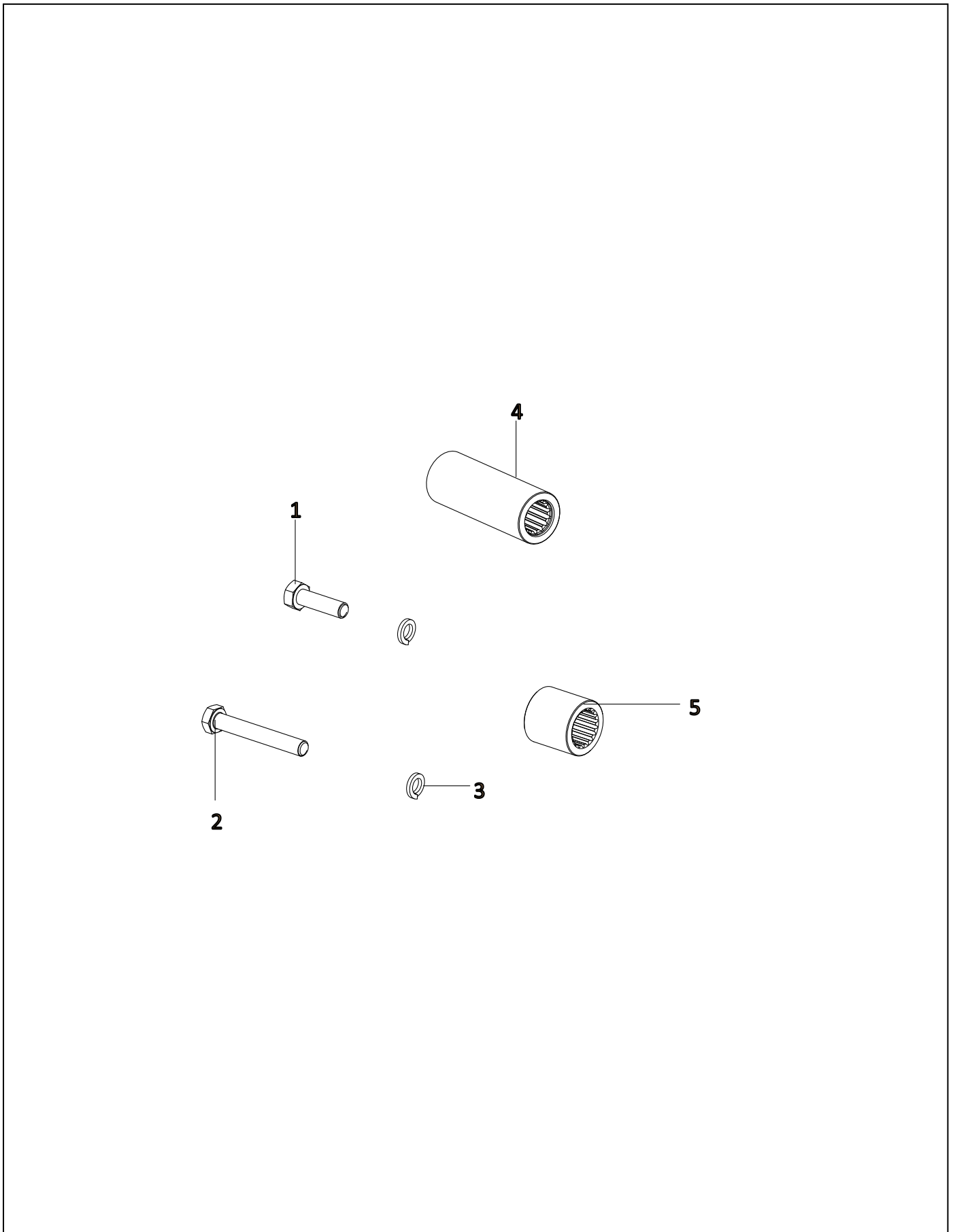


TABLE-34
HARDWARE BUCKLE UP TRANSMISSION AND REAR AXLE SUBASSEMBLY

Fig. No.	Part No.	Description	Qty
1	D81503870.9	BOLT M10X1.50X35-10.9 HEX HEAD (16 A/F)	8
2	D81503420.9	BOLT M10X1.50X70-10.9 HEX HEAD	2
3	D86500090.9	WASHER M10 SPRING LOCK	10
4	D10668700.9	COUPLING PTO INPUT SHAFT	1
5	D10547270.9	COUPLING COUNTERSHAFT SPEED AND RANGE	1

TABLE-35
HARDWARE BUCKLE UP MOTOR HOUSING AND SPEED HOUSING SUBASSEMBLY

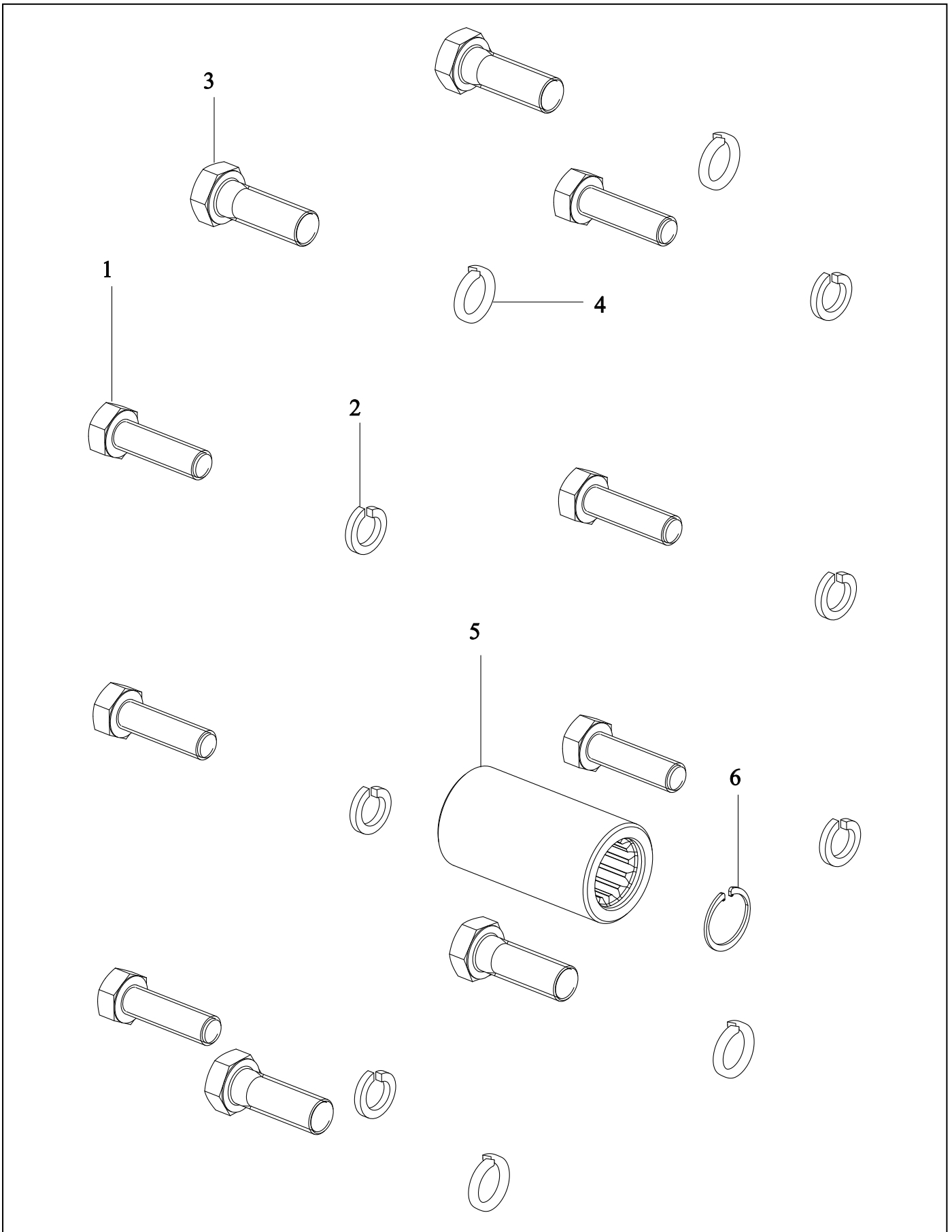


TABLE-35
HARDWARE BUCKLE UP MOTOR HOUSING AND SPEED HOUSING SUBASSEMBLY

Fig. No.	Part No.	Description	Qty
1	D81503870.9	BOLT M10X1.50X35-10.9 HEX HEAD (16 A/F)	6
2	D86500090.9	WASHER M10 SPRING LOCK	6
3	D81503400.9	BOLT M12X35-10.9 HEX HEAD	4
4	D86500020.9	WASHER M12 SPRING LOCK	4
5	D10773870AB.9	COUPLING INPUT SHAFT	1
6	D90500230.9	CIRCLIP B20X1.0 N	1

TABLE-36
LINKAGE ASSEMBLY DIFFERENTIAL LOCK CONTROL

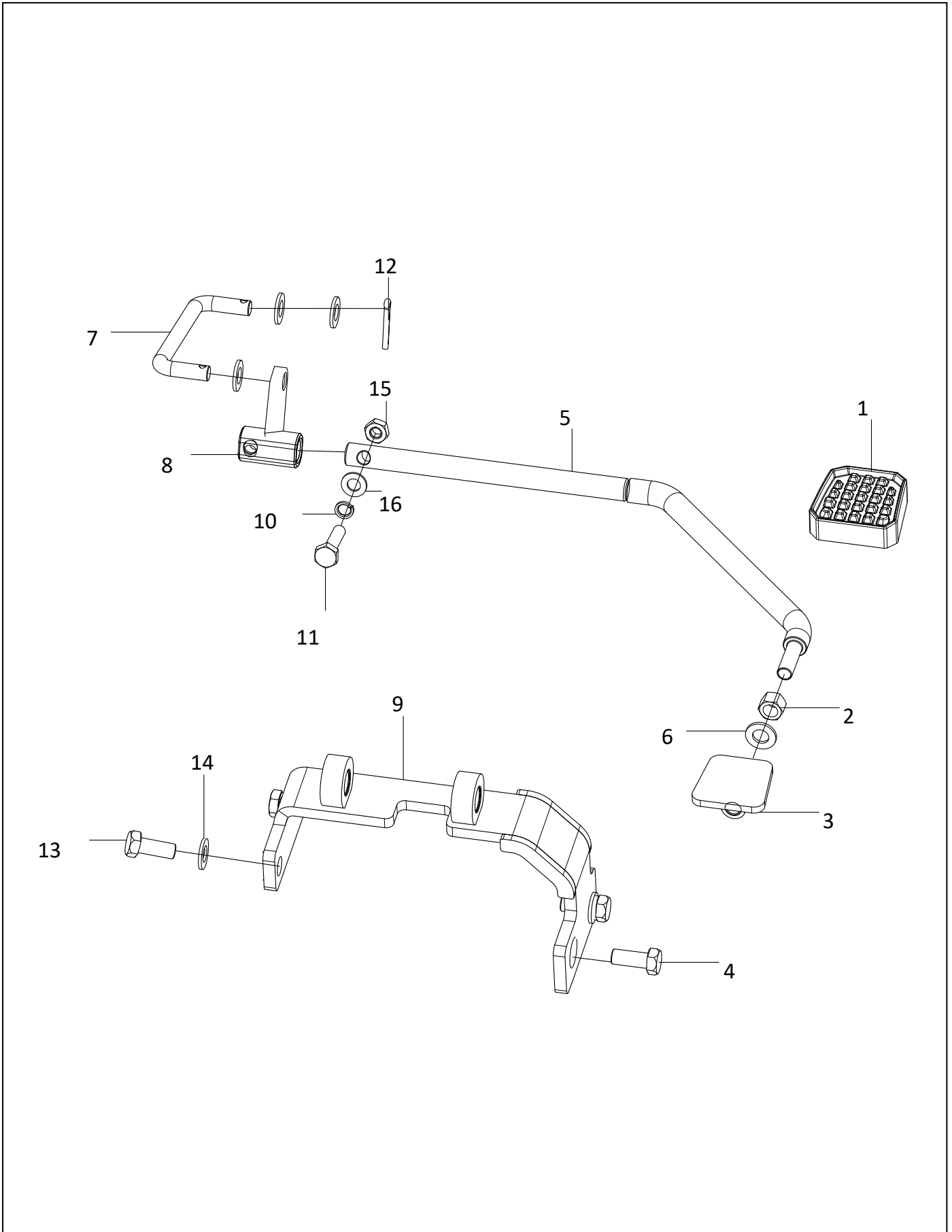


TABLE-36
LINKAGE ASSEMBLY DIFFERENTIAL LOCK CONTROL

Fig. No.	Part No.	Description	Qty
1	D10555660.9	COVER RUBBER FOOT THROTTLE PEDAL	1
2	D83500210.9	NUT M10X1.50-5 HEX	1
3	D10609630.9	PEDAL TOP ASSEMBLY DIFFERENTIAL LOCK	1
4	D81502150.9	BOLT M10X1.50X25-10.9 HEX HEAD	2
5	D10603280.9	PEDAL ASSEMBLY DIFFERENTIAL LOCK	1
6	D85500140.9	WASHER M10 FLAT	7
7	D10740930.9	ROD TIE ASSEMBLY DIFFERENTIAL LOCK	1
8	D10603400.9	LEVER ASSEMBLY DIFFERENTIAL LOCK	1
9	D10736390.9	BRACKET ASSEMBLY DIFFERENTIAL LOCK PEDAL MOUNTING	1
10	D86500030.9	WASHER M8 SPRING LOCK	1
11	D81500030.9	BOLT M8X1.25X35-6.6 HEX HEAD	1
12	D88400040.9	PIN 3.2X25.0 COTTER	2
13	D81500060.9	BOLT M10X1.50X30-8.8 HEX HEAD	2
14	D86500090.9	WASHER M10 SPRING LOCK	4
15	D83500110.9	NUT M8X1.25-8 HEX	1
16	D85500050.9	WASHER M8 FLAT	1

TABLE-37
LEVER PTO GEAR SHIFT SUBASSEMBLY

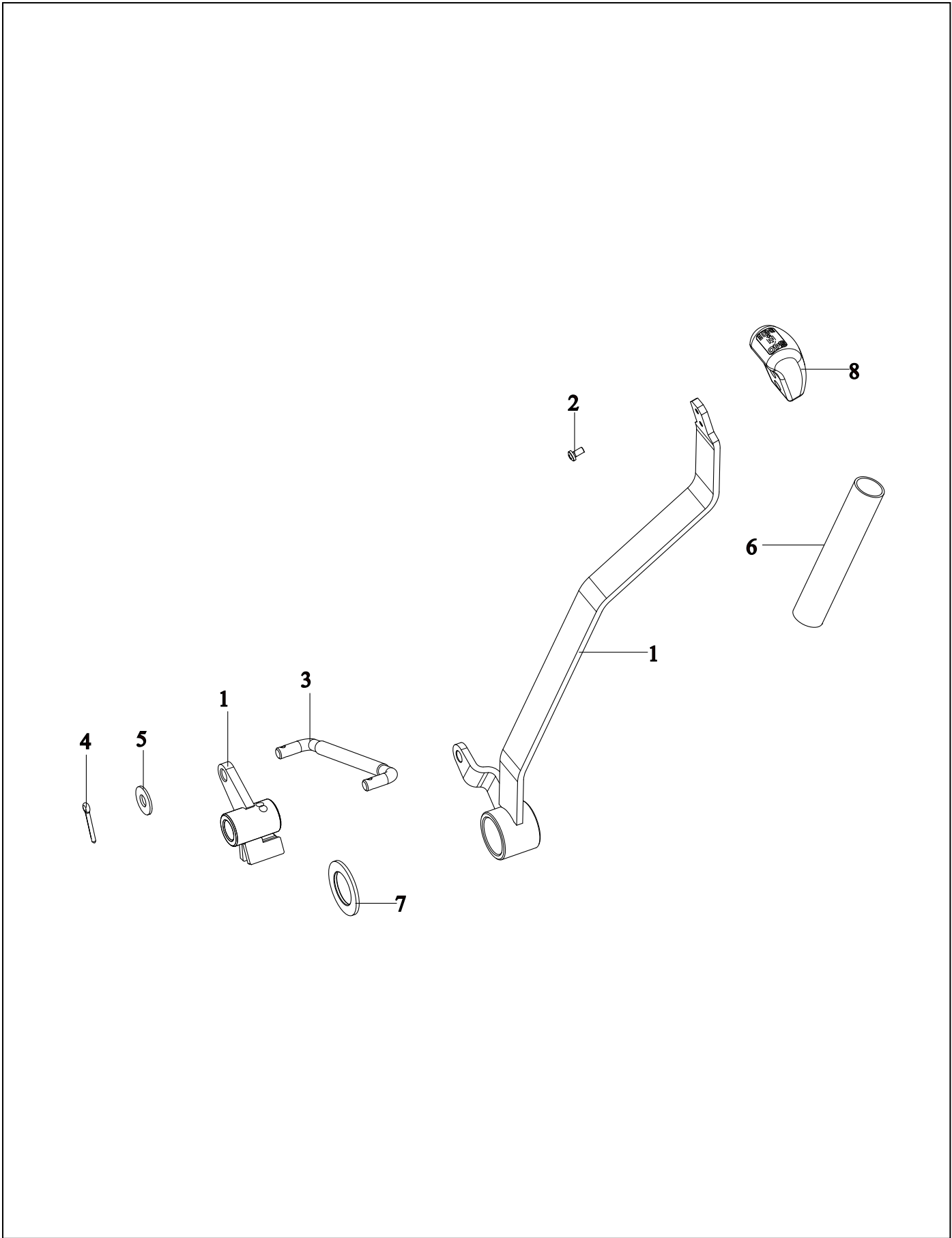


TABLE-37
LEVER PTO GEAR SHIFT SUBASSEMBLY

Fig. No.	Part No.	Description	Qty
1	D10873080.9	LEVER AND HUB PTO GEAR SHIFT ASSEMBLY	1
2	D82501160.9	SCREW M5X0.80X10 CROSS RECESSED PAN HEAD	2
3	D10663640.9	LINKAGE ASSEMBLY ROD PTO GEAR SHIFT	1
4	D88400070.9	PIN 4.0X25.0 COTTER	2
5	D85500690.9	WASHER M10X26 FLAT	3
6	D10817510.9	SLEEVE LEVER HAND OPERATED (PVC)	1
7	D10014630.9	WASHER NYLON 30.5X50 BRAKE SHAFT THRUST	2
8	D10556920.9	KNOB ASSEMBLY LEVER PTO GEAR SHIFT	1

TABLE-38
LEVER POSITION CONTROL SUBASSEMBLY

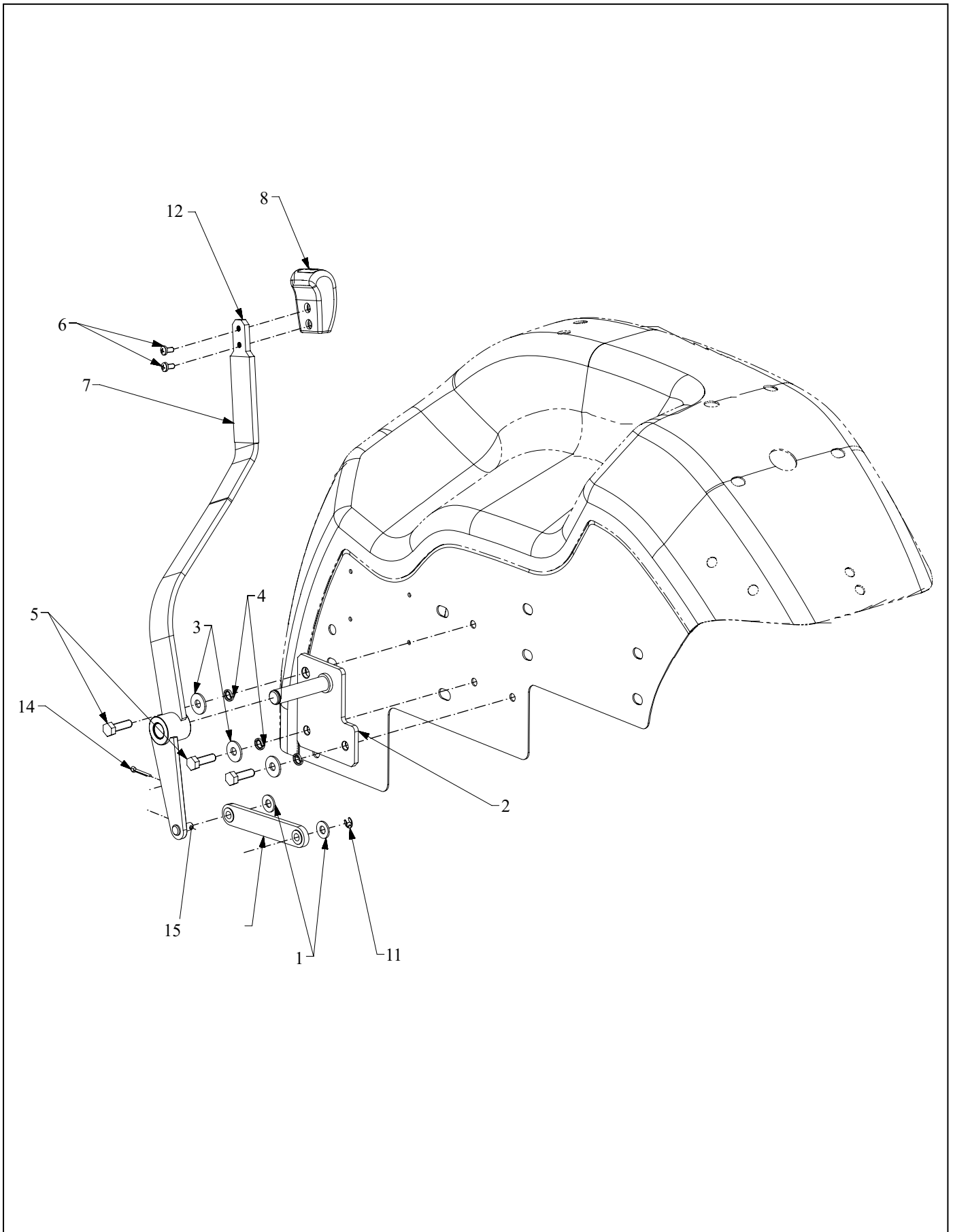


TABLE-38
LEVER POSITION CONTROL SUBASSEMBLY

Fig. No.	Part No.	Description	Qty
1	D10006010.9	WASHER 8.5X18 FRICTION	2
2	D10855770.9	LEVER HOLDING BRACKET POSITION AND DRAFT CONTROL ASSEMBLY	1
3	D10009600.9	WASHER 8.5X22 FLAT PHOSPHATED	3
4	D86500030.9	WASHER M8 SPRING LOCK	3
5	D81500590.9	BOLT M8X1.25X25-6.6 HEX HEAD	3
6	D82501160.9	SCREW M5X0.80X10 CROSS RECESSED PAN HEAD	2
7	D10817510.9	SLEEVE LEVER HAND OPERATED (PVC)	1
8	D10583360.9	KNOB ASSEMBLY LEVER POSITION CONTROL	1
11	D10006160.9	CIRCLIP C6X0.85 N	1
12	D10855720.9	LEVER AND HUB POSITION CONTROL ASSEMBLY	1
13	D10855820AB.9	LINK ASSEMBLY DRAFT CONTROL	1
14	D10013460.9	PIN 1/8"X0.75" COTTER	1
15	D93400020.9	PIN 5/16"X.76" CLEVIS	1

TABLE-39
LEVER DRAFT CONTROL SUBASSEMBLY

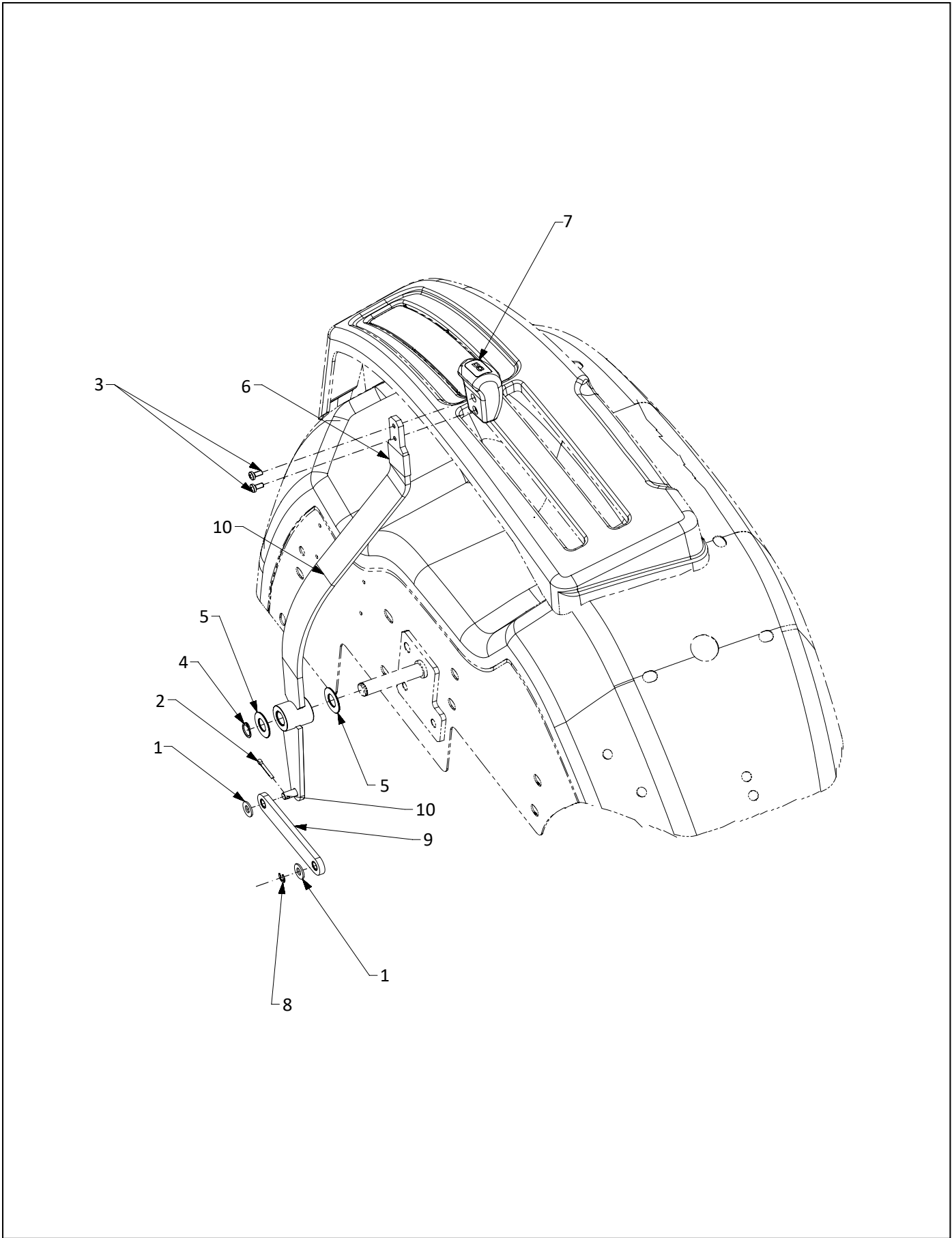


TABLE-39
LEVER DRAFT CONTROL SUBASSEMBLY

Fig. No.	Part No.	Description	Qty
1	D10006010.9	WASHER 8.5X18 FRICTION	2
2	D10013460.9	PIN 1/8"X0.75" COTTER	1
3	D82501160.9	SCREW M5X0.80X10 CROSS RECESSED PAN HEAD	2
4	D90000180.9	CIRCLIP A15X0.90 SB	1
5	D85500730.9	WASHER 30X15X1.2 THRUST	2
6	D10817510.9	SLEEVE LEVER HAND OPERATED (PVC)	1
7	D10556770.9	KNOB ASSEMBLY LEVER DRAFT CONTROL	1
8	D10006160.9	CIRCLIP C6X0.85 N	1
9	D10855820AB.9	LINK ASSEMBLY DRAFT CONTROL	1
10	D10855800.9	LEVER AND HUB DRAFT CONTROL ASSEMBLY	1
11	D93400020.9	PIN 5/16"X.76" CLEVIS	1

TABLE-40
LEVER CONTROL 2WD 4WD SUBASSEMBLY

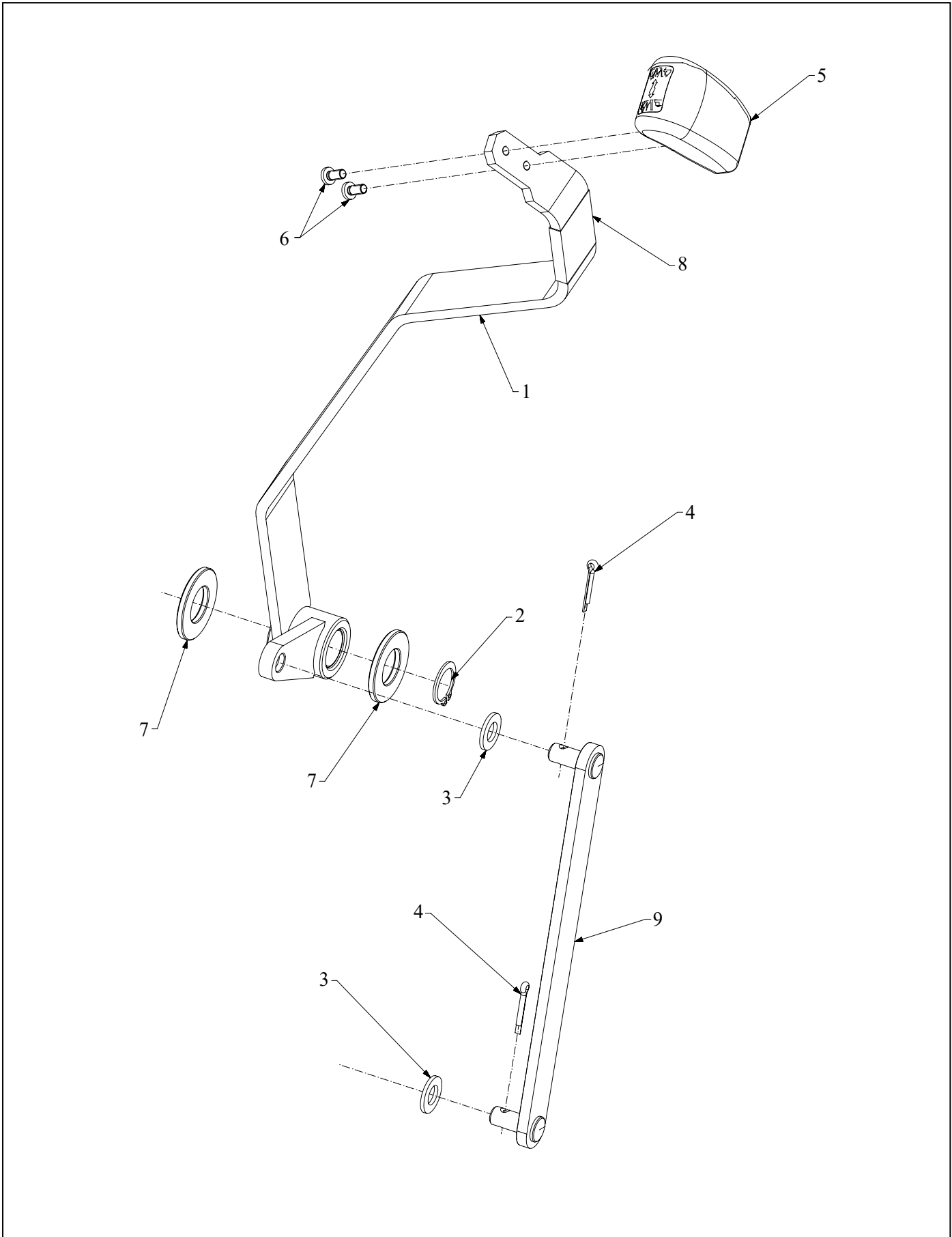


TABLE-40
LEVER CONTROL 2WD 4WD SUBASSEMBLY

Fig. No.	Part No.	Description	Qty
1	D10552610.9	LEVER AND HUB ASSEMBLY 2WD 4WD	1
2	D90000620.9	CIRCLIP A20X1.2 N	1
3	D85500140.9	WASHER M10 FLAT	2
4	D10013460.9	PIN 1/8"X0.75" COTTER	2
5	D10552710.9	KNOB ASSEMBLY LEVER 2WD 4WD	1
6	D82501160.9	SCREW M5X0.80X10 CROSS RECESSED PAN HEAD	2
7	D85500720.9	WASHER 40X20X3.5 THRUST	2
8	D10817510.9	SLEEVE LEVER HAND OPERATED (PVC)	1
9	D10739060AB.9	LINKAGE ASSEMBLY 2WD 4WD	1

TABLE-41
LEVER RANGE HIGH LOW MEDIUM GEAR SHIFT SUBASSEMBLY

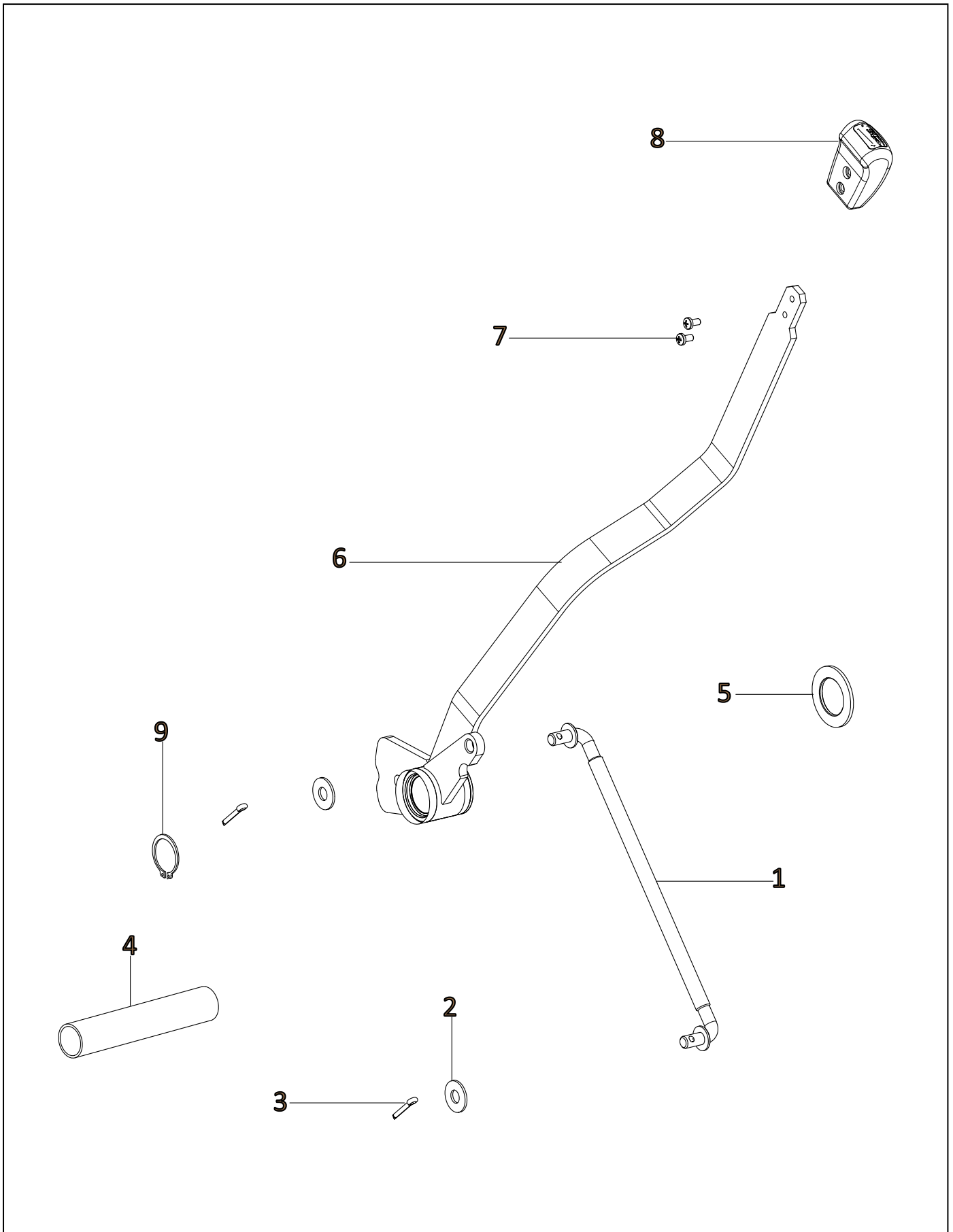


TABLE-41
LEVER RANGE HIGH LOW MEDIUM GEAR SHIFT SUBASSEMBLY

Fig. No.	Part No.	Description	Qty
1	D10663660AD.9	LINKAGE ASSEMBLY ROD PTO GEAR SHIFT	1
2	D85500690.9	WASHER M10X26 FLAT	2
3	D88400070.9	PIN 4.0X25.0 COTTER	2
4	D10817510.9	SLEEVE LEVER HAND OPERATED (PVC)	1
5	D10014630.9	WASHER NYLON 30.5X50 BRAKE SHAFT THRUST	1
6	D11465670AC.9	LEVER AND HUB RANGE HIGH LOW MEDIUM GEAR SHIFT ASSEMBLY	1
7	D82501160.9	SCREW M5X0.80X10 CROSS RECESSED PAN HEAD	2
8	D10583370.9	KNOB ASSEMBLY LEVER RANGE HIGH LOW MEDIUM GEAR SHIFT	1
9	D90000080.9	CIRCLIP A30X1.5 N	1

TABLE-42
SHAFT PROPELLER AND COUPLING ASSEMBLY (4WD COMPACT ELECTRIC)

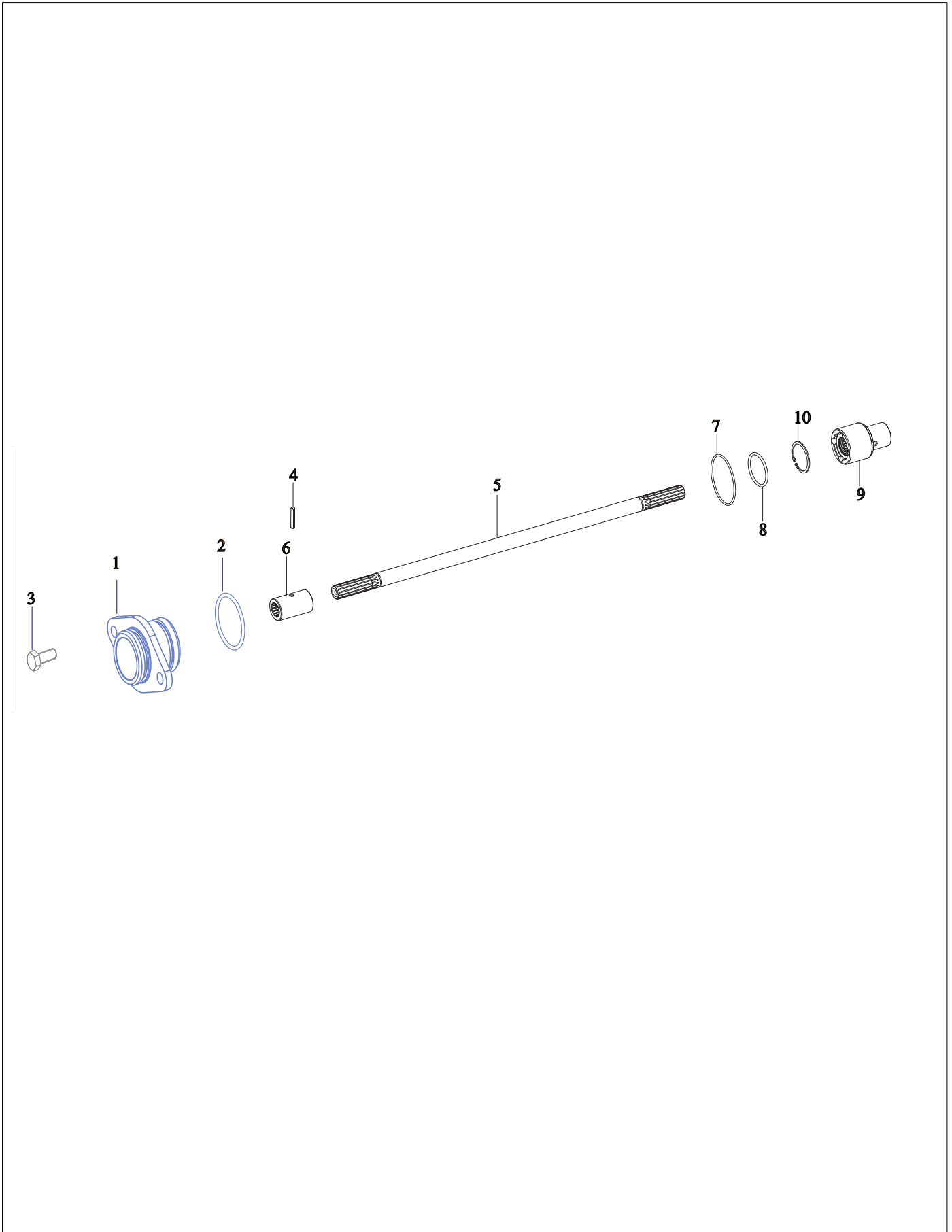


TABLE-42
SHAFT PROPELLER AND COUPLING ASSEMBLY (4WD COMPACT ELECTRIC)

Fig. No.	Part No.	Description	Qty
1	D10773890.9	RETAINER PROPELLER SHAFT	1
2	D93601260.9	SEAL O RING 0.139"X1.859"	1
3	D81502150.9	BOLT M10X1.50X25-10.9 HEX HEAD	2
4	D87500510.9	PIN 6.0X35.0 SPRING DOWEL	2
5	D10554620.9	SHAFT PROPELLER (4WD)	1
6	D10548310.9	COUPLING PROPELLER SHAFT (4WD)	1
7	D93601260.9	SEAL O RING 0.139"X1.859"	1
8	D93601070.9	SEAL O RING 2.62X75.87	1
9	D10554580.9	COUPLING ASSEMBLY PROPELLER SHAFT	1
10	D90500100.9	CIRCLIP B40X1.75 N	1

TABLE-43
GUARD PROPELLER SHAFT SUBASSEMBLY

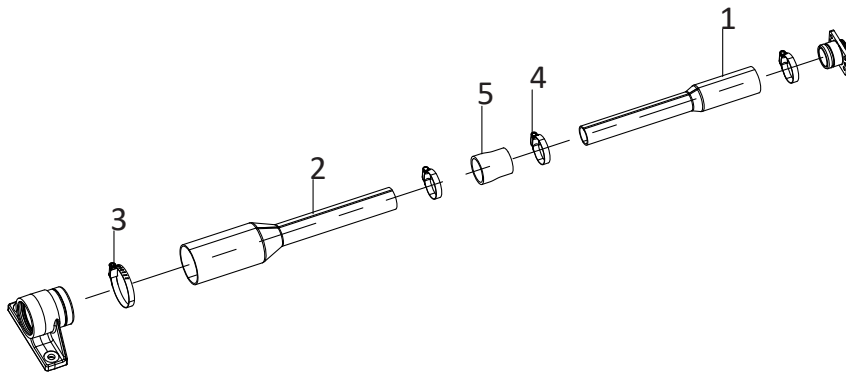


TABLE-43
GUARD PROPELLER SHAFT SUBASSEMBLY

Fig. No.	Part No.	Description	Qty
1	D10561490.9	GUARD ASSEMBLY PROPELLER SHAFT REAR	1
2	D10561500.9	GUARD ASSEMBLY PROPELLER SHAFT FRONT	1
3	D10046730.9	CLAMP ASSEMBLY INTAKE MANIFOLD FT80	1
4	D10017170.9	CLAMP ASSEMBLY 70MM DIAMETER	1
5	D10656670.9	HOSE GUARD ASSEMBLY PROPELLER SHAFT	1

TABLE-44
BRAKE LINKAGE SUBASSEMBLY

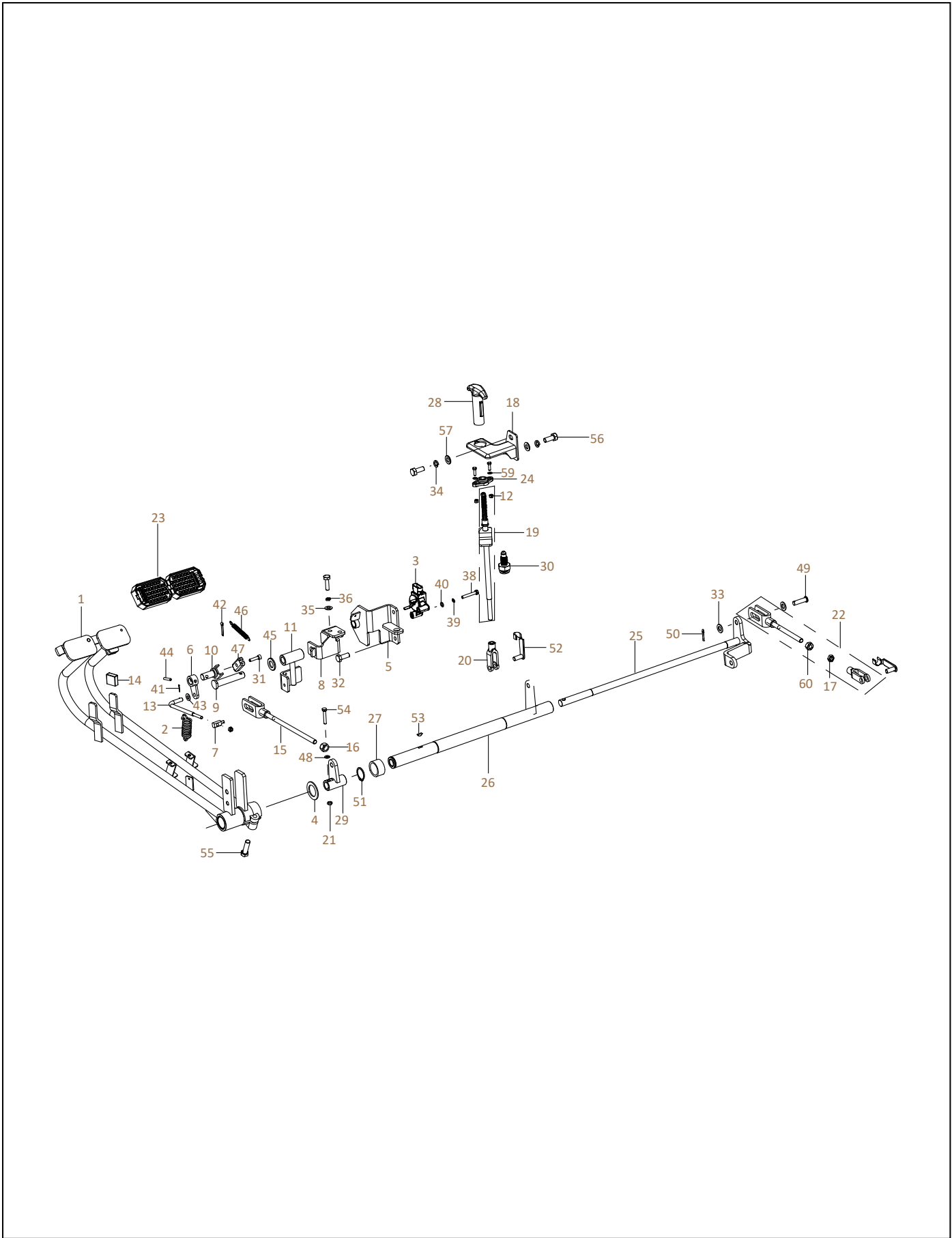


TABLE-44
BRAKE LINKAGE SUBASSEMBLY

Fig. No.	Part No.	Description	Qty
1	D10799880.9	PEDAL ASSEMBLY REAR WHEEL BRAKE (LH/RH SET)	1
2	D10012250.9	SPRING BRAKE PEDAL RETURN	2
3	D10769730.9	SENSOR ASSEMBLY BRAKE POSITION	1
4	D10012260.9	WASHER BRAKE PEDAL CROSS SHAFT THRUST	4
5	D10799900AB.9	BRACKET ASSEMBLY BRAKE POTENTIAL METER MOUNTING	1
6	D10799960.9	CLEVIS ASSEMBLY BRAKE POTENTIAL METER	1
7	D10542760.9	TRUNION PULL TO STOP ROD	1
8	D10801920.9	BRACKET ASSEMBLY BRAKE POTENTIOMETER	1
9	D10805710.9	PIN BRAKE POTENTIOMETER	1
10	D10799990.9	HINGE ASSEMBLY BRAKE POTENTIAL METER	1
11	D10801890.9	HUB AND ROD ASSEMBLY BRAKE POTENTIOMETER	1
12	D83500010.9	NUT M5X0.8-6 PLATED	2
13	D10801940.9	ROD ASSEMBLY BRAKE LINKAGE	1
14	D10552230.9	COVER RUBBER RETURN STOPPER	2
15	D10604800.9	ROD TIE AND CLEVIS ASSEMBLY BRAKE PEDAL	2
16	D83500290.9	NUT M12X1.75 HEX	2
17	D83000010.9	NUT 3/8"-24 HEX	1
18	D10604840.9	BRACKET ASSEMBLY INDEPENDENT PARKING BRAKE MOUNTING	1
19	D10610590.9	ROD TIE AND CLEVIS ASSEMBLY INDEPENDENT PARKING BRAKE	1
20	D10293160.9	CLEVIS 3/8"	1
21	D83500070.9	NUT M6X1.00-6 HEX	3
22	D10604820.9	ROD TIE AND CLEVIS ASSEMBLY PARKING BRAKE	2
23	D10552220.9	PAD RUBBER TOP PLATE	2
24	D10558920.9	GUIDE SUPPORT LEVER (IGUS)	1
25	D10604710.9	BRAKE PEDAL SHAFT ASSEMBLY INNER	1
26	D10604690.9	SHAFT ASSEMBLY BRAKE PEDAL OUTER	1
27	D10471840.9	SPACER BRAKE ACTUATING SHAFT LH	1
28	D10564110AB.9	KNOB ASSEMBLY INDEPENDENT PARKING BRAKE	1
29	D10604740AB.9	HUB AND LEVER ASSEMBLY INDEPENDENT PARKING BRAKE RH	1
30	D10498400AB.9	SWITCH ASSEMBLY STOP LAMP	1
31	D81503950.9	BOLT M6X1.0X25-8.8 ALLEN	1
32	D81502150.9	BOLT M10X1.50X25-10.9 HEX HEAD	2
33	D85500140.9	WASHER M10 FLAT	10
34	D86500090.9	WASHER M10 SPRING LOCK	4
35	D10018690.9	WASHER 5/16" FLAT	2
36	D86500030.9	WASHER M8 SPRING LOCK	2
38	D10466140.9	BOLT M6X40-5.8 HEX HEAD FTES SRUBA M6X40-5.8)	2
39	D86500040.9	WASHER M6 SPRING LOCK	3
40	D85500110.9	WASHER M6 FLAT	2
41	D88400010.9	PIN 1.6X12.5 COTTER	2

TABLE-44
BRAKE LINKAGE SUBASSEMBLY

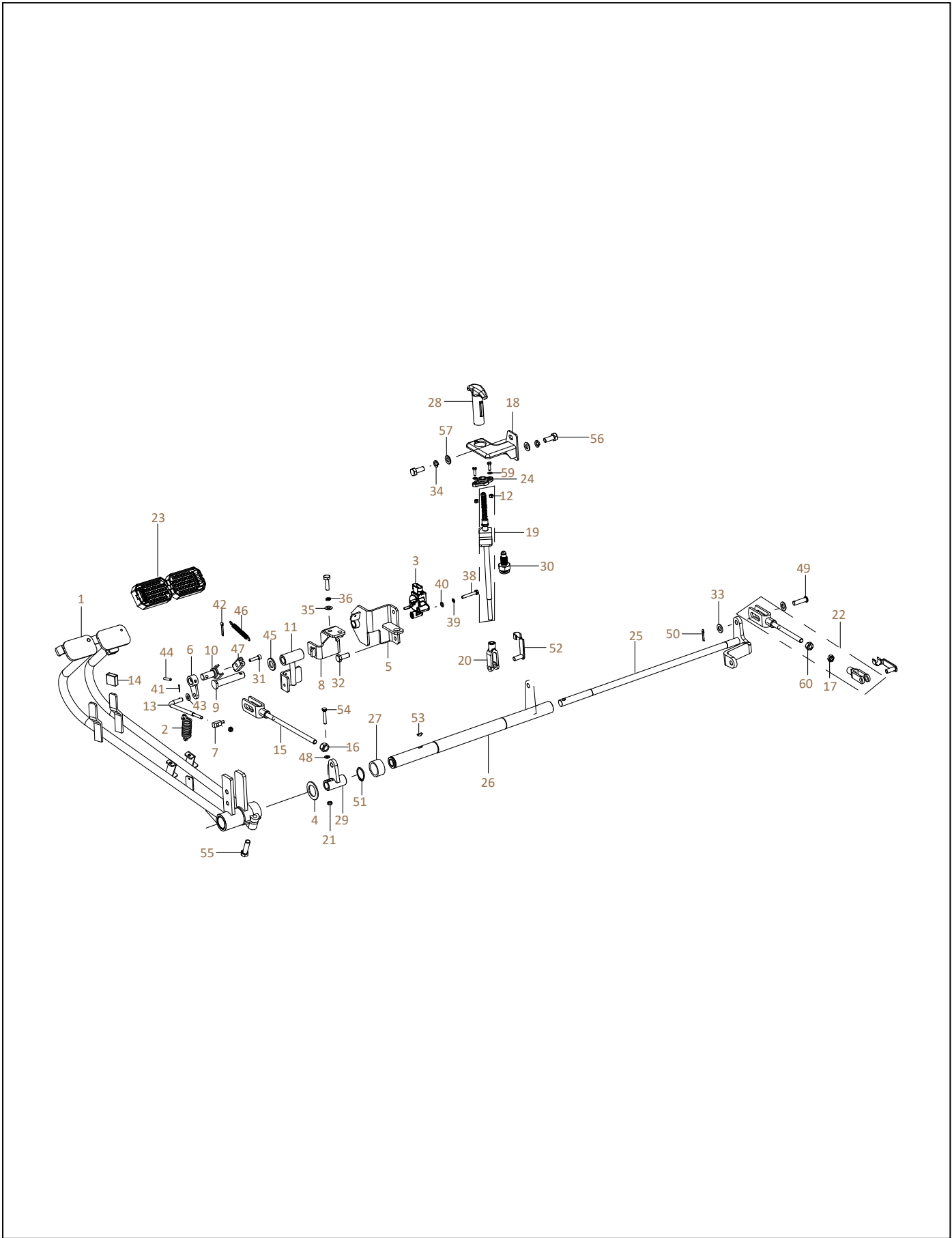


TABLE-44
BRAKE LINKAGE SUBASSEMBLY

Fig. No.	Part No.	Description	Qty
42	D88400040.9	PIN 3.2X25.0 COTTER	1
43	D85500130.9	WASHER M8 FLAT	1
44	D87000060.9	PIN 3/16"X1.125" SPRING DOWEL	1
45	D85500020.9	WASHER M16 FLAT	1
46	D10015400.9	SPRING FOOT THROTTLE CONTROL RETURN	1
47	D10800020.9	GROMMET BRAKE POTENTIOMETER	1
48	D85500040.9	WASHER M6 FLAT	2
49	D10258180.9	PIN 10X35 CLEVIS	4
50	D10013460.9	PIN 1/8"X0.75" COTTER	4
51	D90000570.9	CIRCLIP A28X1.5 N	2
52	D10292730.9	PIN 3/8" CLEVIS	3
53	D91000050.9	KEY 4X5 WOODRUFF	1
54	D81500340.9	BOLT M6X1.00X35-8.0 HEX HEAD	1
55	D81000470.9	BOLT 7/16"-14X1.50" HEX HEAD	1
56	D81500280.9	BOLT M10X1.50X25-6G HEX HEAD (CARRARO PART NO 127922)	2
57	D85500010.9	WASHER M10 FLAT	2
59	D85500090.9	WASHER M5 FLAT	2
60	D83500090.9	NUT M10X1.50-8 HEX	2
61	D10068840.9	BOLT M8X1.25X30-8.8 HEX HEAD	2
62	D82501120.9	SCREW M5X0.80X16-6.6 HEX HEAD	2

TABLE-45
WHEEL AND TYRE ASSEMBLY REAR 8x18 (M/s BKT DEEP LUG)

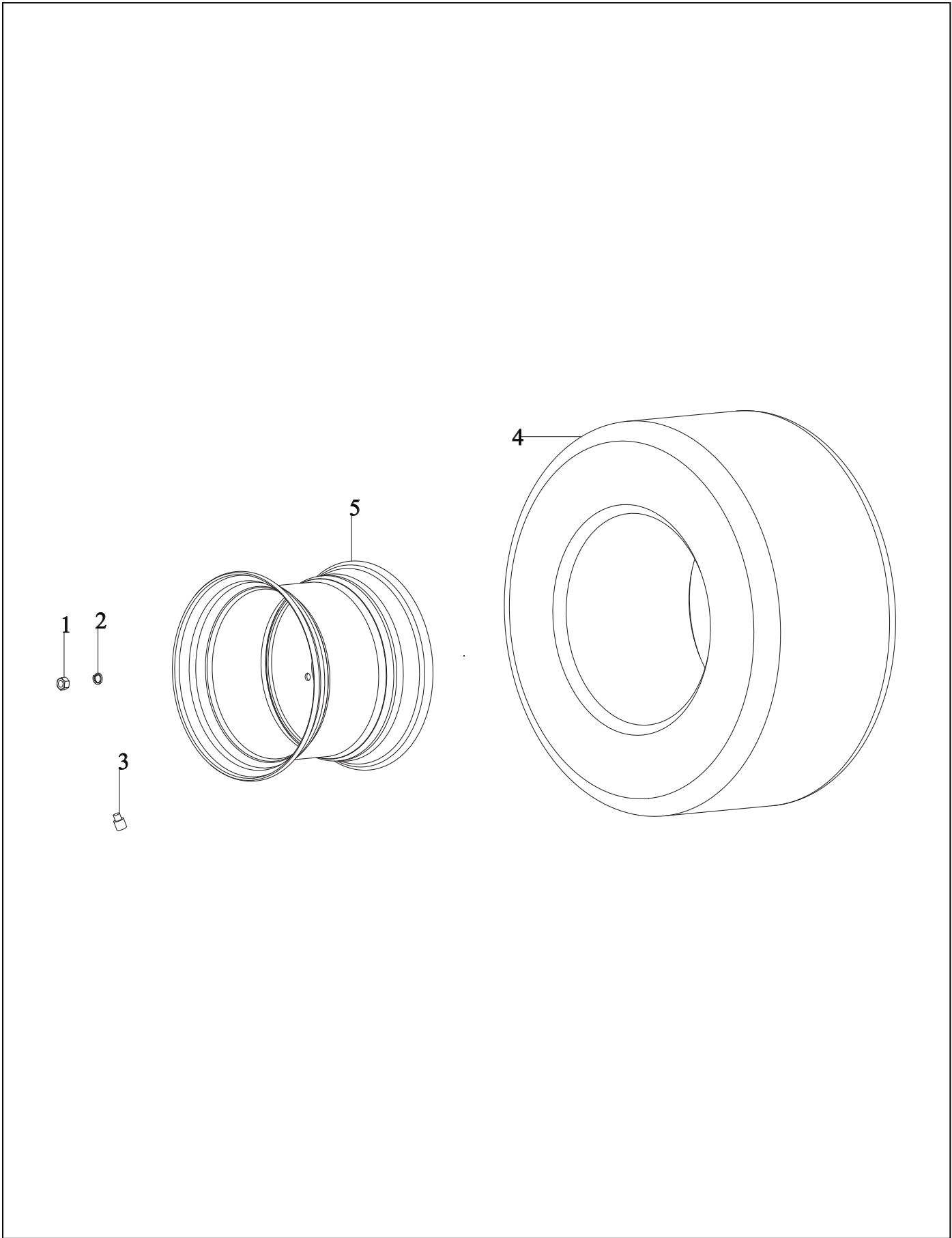


TABLE-45
WHEEL AND TYRE ASSEMBLY REAR 8x18 (M/s BKT DEEP LUG)

Fig. No.	Part No.	Description	Qty
1	D83501020.9	NUT M16X1.5-10.9 HEX HEAD	10
2	D86500060.9	WASHER M16 SPRING LOCK	10
3	D10532390.9	TUBE ASSEMBLY FRONT WHEEL 8X18	2
4	D10517640.9	TYRE ASSEMBLY REAR WHEEL 8X18 (FARM 2000)	2
5	D10538470.9	RIM ASSEMBLY REAR WHEEL W7X18 (ANTIQUÉ SILVER)	2

TABLE-46
HYDRAULIC CONTROL SUBASSEMBLY

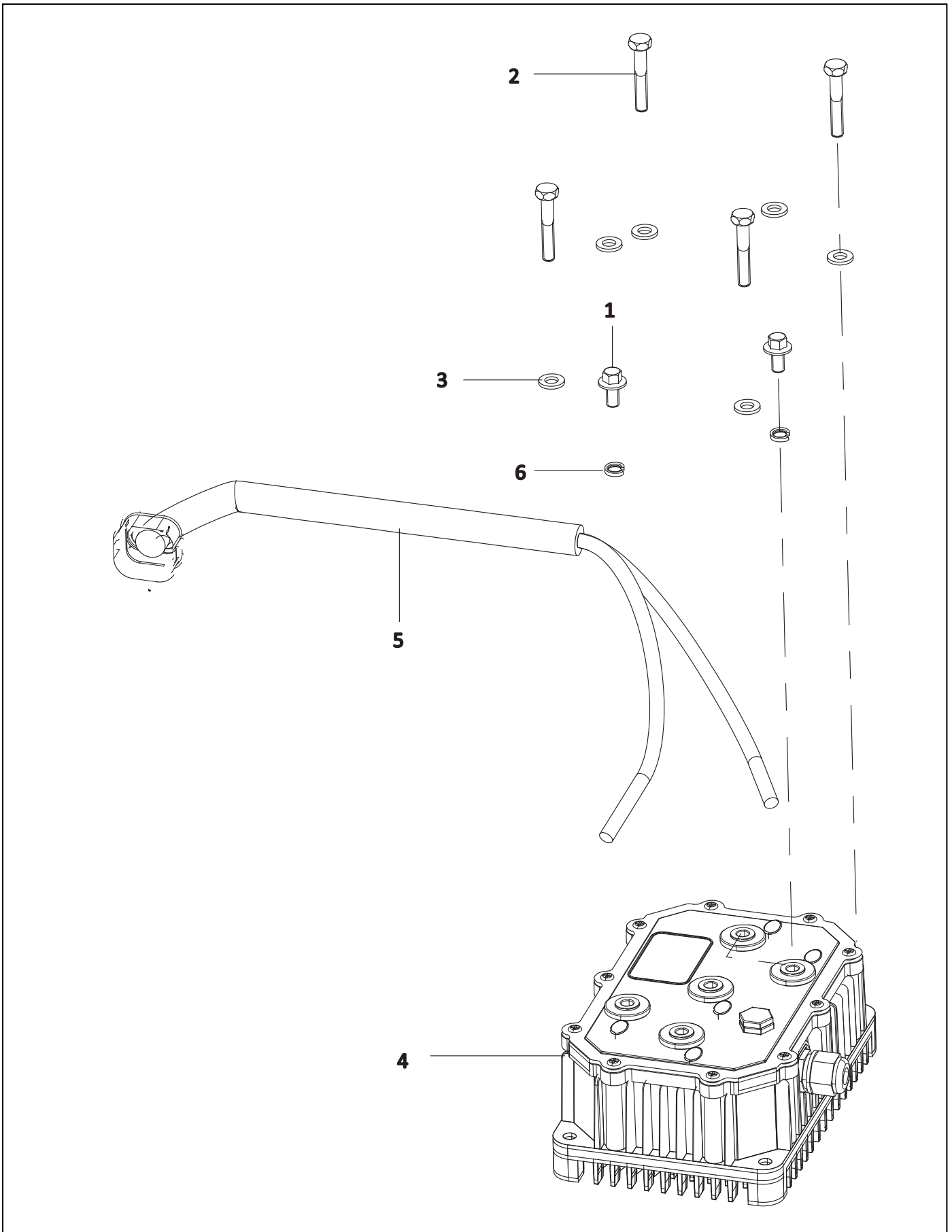


TABLE-46
HYDRAULIC CONTROL SUBASSEMBLY

Fig. No.	Part No.	Description	Qty
1	D81502170.9	BOLT M6X1.00X12-8.8 HEX HEAD FLANGED	2
2	D81500340.9	BOLT M6X1.00X35-8.0 HEX HEAD	4
3	D85500040.9	WASHER M6 FLAT	6
4	D10753660.9	CONTROLLER ASSEMBLY KLS7212M	1
5	D10789940AC.9	CABLE POWER ASSEMBLY ELECTRIC HYDRAULIC	1
6	D86500040.9	WASHER M6 SPRING LOCK	2

TABLE-47
CYLINDER PISTON AND VALVE SUBASSEMBLY (COMPACT)

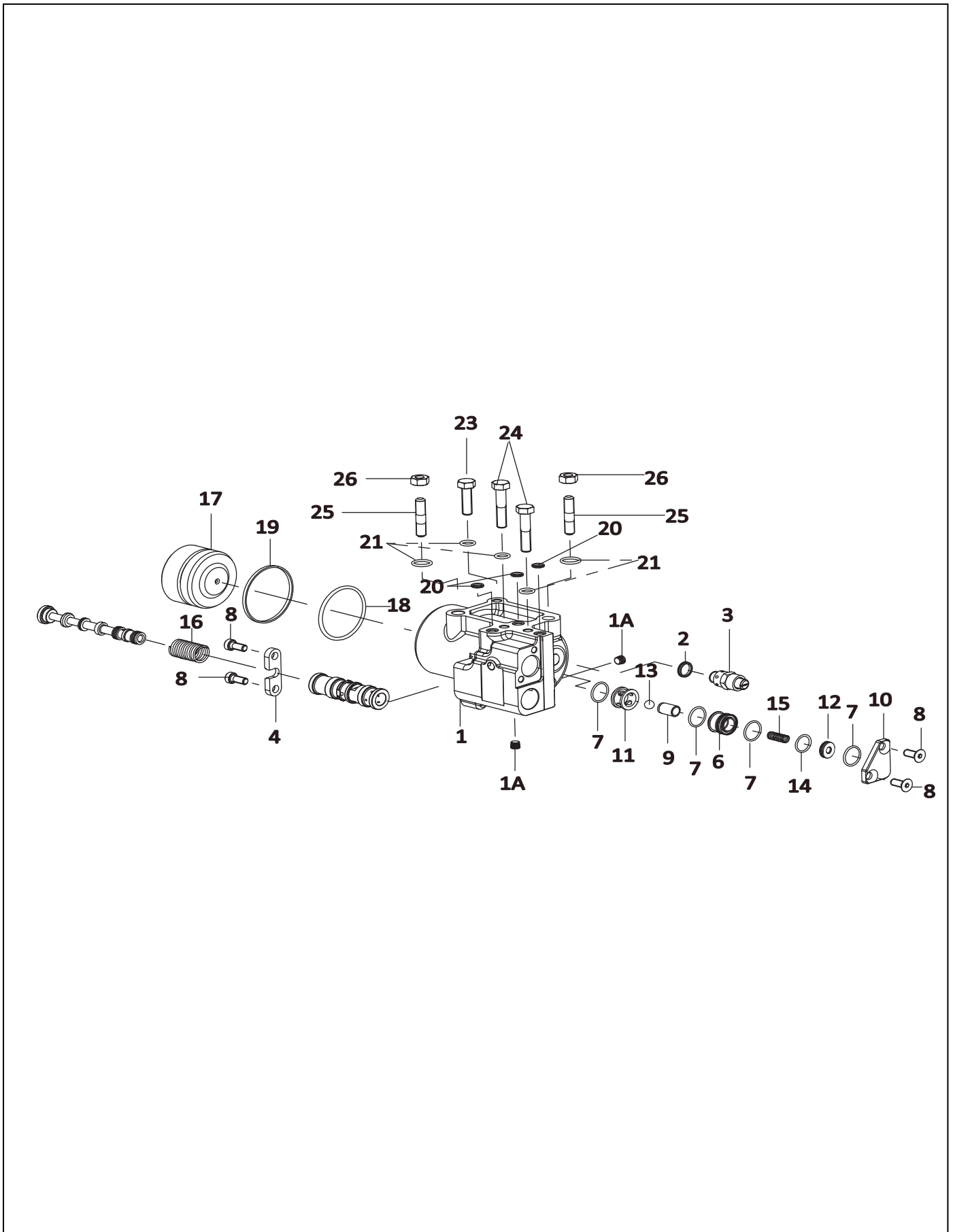


TABLE-47
CYLINDER PISTON AND VALVE SUBASSEMBLY (COMPACT)

Fig. No.	Part No.	Description	Qty
1	D10839480AD.9	CYLINDER AND BUSH ASSEMBLY	1
1A	D93100060.9	PLUG 1/"8-27 SOCKET HEX HEAD (STEEL)	1
2	D10059580.9	GASKET HYDRAULIC LIFT SAFETY VALVE	1
3	D10194150.9	VALVE ASSEMBLY HYDRAULIC LIFT SAFETY	1
4	D10828420.9	COVER HYDRAULIC DISTRIBUTOR BODY FRONT	1
5	D82500730.9	SCREW M8X1.25X18 ALLEN	2
6	D10007990.9	INSERT HYDRAULIC DISTRIBUTOR	1
7	D10102780.9	RING SEALING	4
8	D10152630.9	SCREW M8X1.25X20 COUNTERSUNK SOCKET HEAD	2
9	D10008100.9	SEAT HYDRAULIC DISTRIBUTOR	1
10	D10828430.9	COVER HYDRAULIC DISTRIBUTOR BODY REAR	1
11	D10103340.9	SEAT VALVE LOCKING BALL	1
12	D10828440AB.9	PLUG HYDRAULIC LIFT UNLOAD VALVE	1
13	D10008080.9	BALL 10MM CHROMIUM STEEL	1
14	D10102790.9	RING SEALING	1
15	D10008200.9	SPRING VALVE LOCK	1
16	D10348970.9	SPRING HYDRAULIC LIFT CONTROL VALVE	1
17	D10828370BA.9	PISTON HYDRAULIC LIFT CYLINDER	1
18	D10828400.9	SEAL O RING PISTON HYDRAULIC LIFT	1
19	D10828410.9	RING HYDRAULIC LIFT PISTON SEAL	1
20	D10007810.9	SEAL O RING 2.50X11.00	3
21	D10007820.9	SEAL O RING 2.40X16.30	2
22	D10072340.9	SEAL O RING 0.364X0.066 (HYDRAULIC LIFT ACCESS COVER)	3
23	D81504060.9	BOLT M10X1.50X50-10.9 HEX HEAD (PRECOATED)	2
24	D81503870.9	BOLT M10X1.50X35-10.9 HEX HEAD (16 A/F)	1
25	D84500350.9	STUD M10X1.5X48-10.9	2
26	D83500130.9	NUT M10X1.50-10P HEX	2

TABLE-48
POWER TRANSFER SUBASSEMBLY (COMPACT)

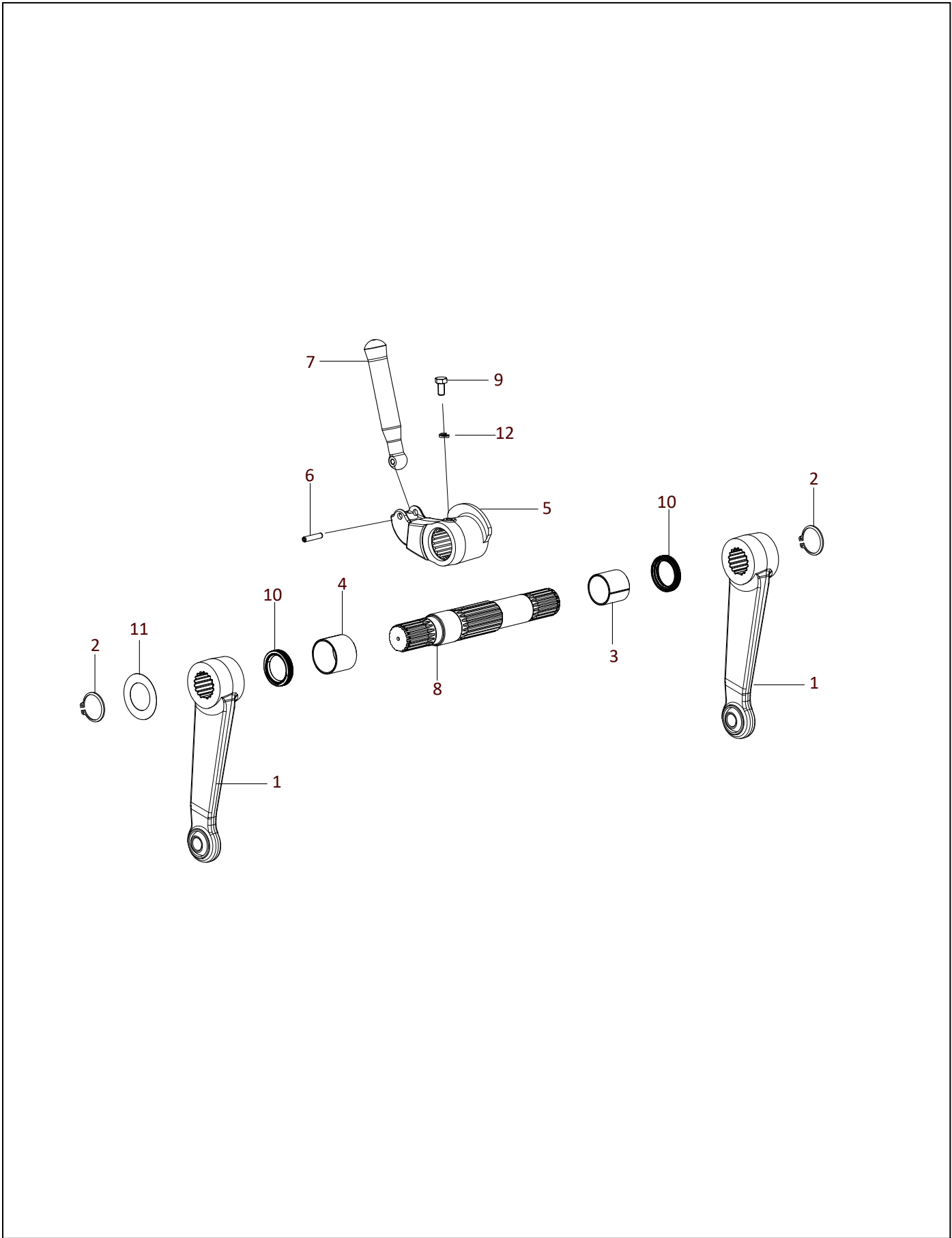


TABLE-48
POWER TRANSFER SUBASSEMBLY (COMPACT)

Fig. No.	Part No.	Description	Qty
1	D10828320.9	ARM ASSEMBLY HYDRAULIC LIFT RH	2
2	D90000020.9	CIRCLIP A35X1.5 N	2
3	D10828380.9	BUSHING HYDRAULIC LIFT SHAFT LH	1
4	D10828390.9	BUSHING HYDRAULIC LIFT SHAFT RH	1
5	D10828350.9	ARM HYDRAULIC LIFT RAM	1
6	D87500700.9	PIN 6X30 SPRING DOWEL COMBINATION TYPE	1
7	D10828360AB.9	ROD HYDRAULIC LIFT CONNECTING	1
8	D10828290.9	SHAFT SERRATED HYDRAULIC LIFT	1
9	D81503090.9	BOLT M8X1.25X16-8.8 HEX HEAD	1
10	D93601530.9	SEAL OIL 35X45X9.0	2
11	D10008490.9	SHIM DRAFT CONTROL SPRING ADJUSTING 0.3MM	3
12	D86500030.9	WASHER M8 SPRING LOCK	1

TABLE-49
DRAFT SENSING SUBASSEMBLY (COMPACT)

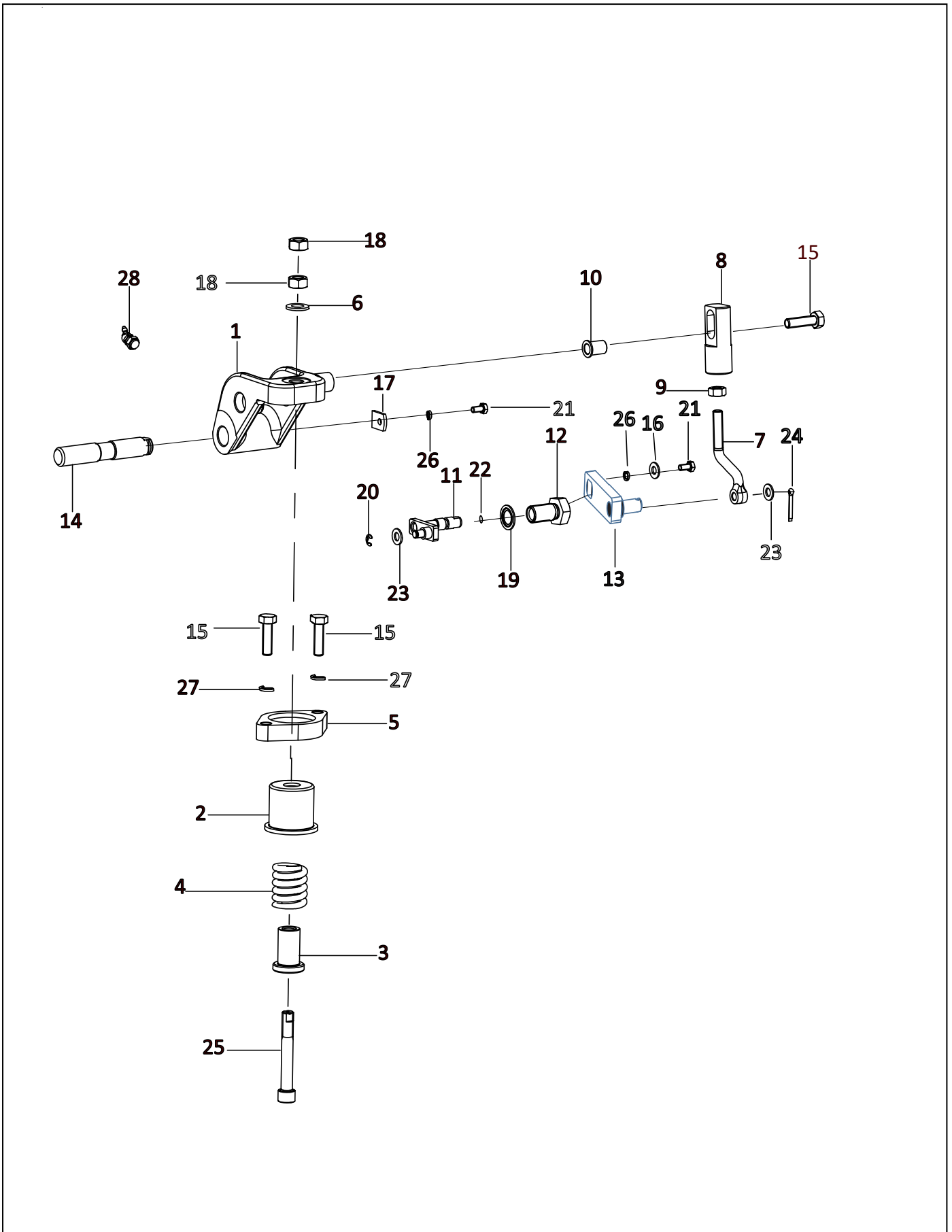


TABLE-49
DRAFT SENSING SUBASSEMBLY (COMPACT)

Fig. No.	Part No.	Description	Qty
1	D10826430AC.9	ROCKER TOP LINK SENSING ASSEMBLY	1
2	D10826520.9	HOUSING HYDRAULIC LIFT DRAFT CONTROL SPRING	1
3	D10828460.9	GUIDE LOWER LIFT DRAFT CONTROL SPRING	1
4	D11259700AA.9	SPRING DRAFT CONTROL SENSING COMPACT	1
5	D10826530.9	FLANGE DRAFT SPRING HOUSING	1
6	D85500060.9	WASHER M12 FLAT	1
7	D10826500AB.9	ROD FEEDBACK DRAFT CONTROL	1
8	D10826510AB.9	CONNECTER DRAFT HYDRAULIC LIFT	1
9	D83500090.9	NUT M10X1.50-8 HEX	1
10	D10828450.9	BUSH DRAFT CONTROL	1
11	D10826460AB.9	LEVER ASSEMBLY HYDRAULIC LIFT DRAFT FEEDBACK	1
12	D10826450.9	ADOPTER M18X1.5 HYDRAULIC LIFT PIVOT	1
13	D10826490AB.9	LINK HYDRAULIC LIFT DRAFT ACTUATING	1
14	D10826440AB.9	PIN HYDRAULIC LIFT ROCKER	1
15	D81503870.9	BOLT M10X1.50X35-10.9 HEX HEAD (16 A/F)	3
16	D85500130.9	WASHER M8 FLAT	1
17	D10007020.9	PLATE SECURING DRAFT CONTROL	1
18	D83500040.9	NUT M12X1.75-6 HEX	2
19	D10174950.9	SEAL BANJO BOLT DISTRIBUTOR TO CYLINDER TUBE	1
20	D10006160.9	CIRCLIP C6X0.85 N	1
21	D82500050.9	SCREW M6X1.00X12-6.8 HEX HEAD	2
22	D10007700.9	SEAL O RING 2.62X7.59	1
23	D85500050.9	WASHER M8 FLAT	2
24	D88400040.9	PIN 3.2X25.0 COTTER	1
25	D81504280.9	BOLT M12X1.75X75-10.9 ALLEN	1
26	D86500040.9	WASHER M6 SPRING LOCK	2
27	D86500050.9	WASHER M10 SPRING LOCK	2
28	D92500090.9	GREASE NIPPLE B M10X1 WITH LOCKNUT	1

TABLE-50
CONTROL LINKAGES SUBASSEMBLY (COMPACT)

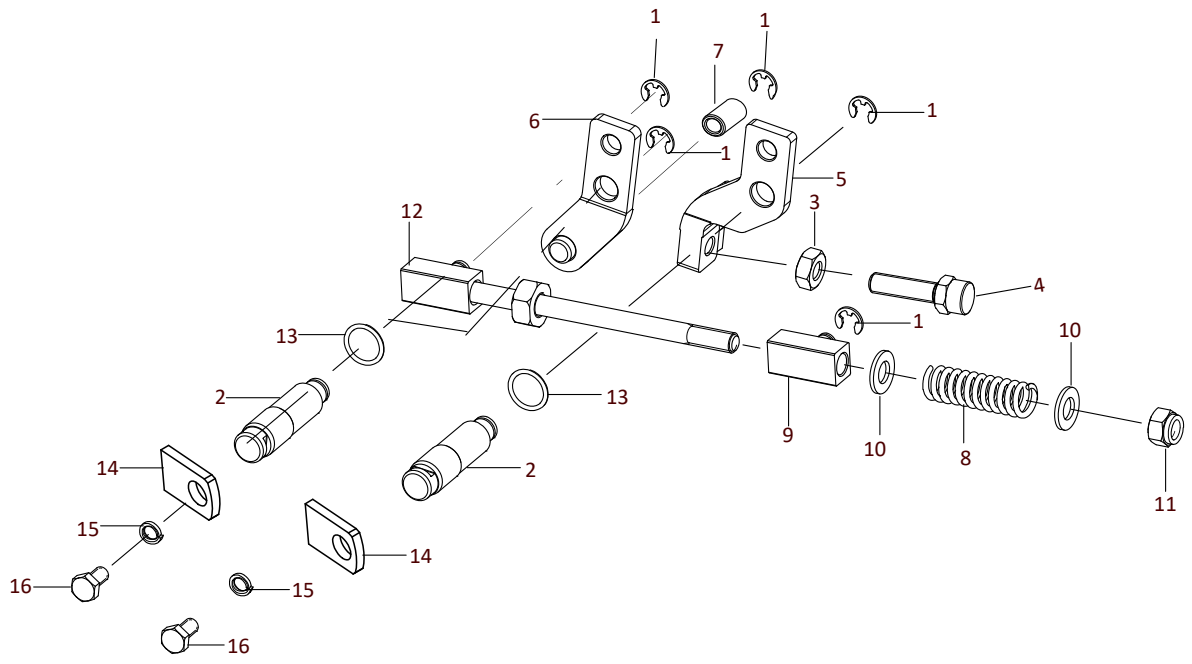


TABLE-50
CONTROL LINKAGES SUBASSEMBLY (COMPACT)

Fig. No.	Part No.	Description	Qty
1	D10006160.9	CIRCLIP C6X0.85 N	5
2	D10825780.9	PIN HYDRAULIC LIFT ACTUATOR PIVOT	2
3	D83500060.9	NUT M8X1.25-6 HEX	1
4	D10826140AC.9	ACTUATOR HYDRAULIC LIFT CONTROL VALVE	1
5	D10825760AE.9	LINK HYDRAULIC LIFT SPOOL VALVE	1
6	D10825720AB.9	LINK ASSEMBLY HYDRAULIC LIFT CONTROL VALVE ACTUATING	1
7	D10826130AB.9	ROLLER HYDRAULIC LIFT POSITION CAM FOLLOWER	1
8	D10826060AB.9	SPRING HYDRAULIC LIFT POSITION CONTROL VALVE OVERTRAVEL	1
9	D10830500.9	LINK SWIVEL HYDRAULIC LINK ACTUATING	1
10	D85500050.9	WASHER M8 FLAT	2
11	D83500160.9	NUT M8X1.25 NYLOCK HEX	1
12	D10826030.9	LINK SWIVEL ASSEMBLY HYDRAULIC LINKAGE	1
13	D93600170.9	SEAL O RING 0.070"X0.562"	2
14	D10830510.9	PLATE SECURING DRAFT CONTROL	2
15	D86500040.9	WASHER M6 SPRING LOCK	2
16	D82500050.9	SCREW M6X1.00X12-6.8 HEX HEAD	2

TABLE-51
QUADRANT SUBASSEMBLY (COMPACT)

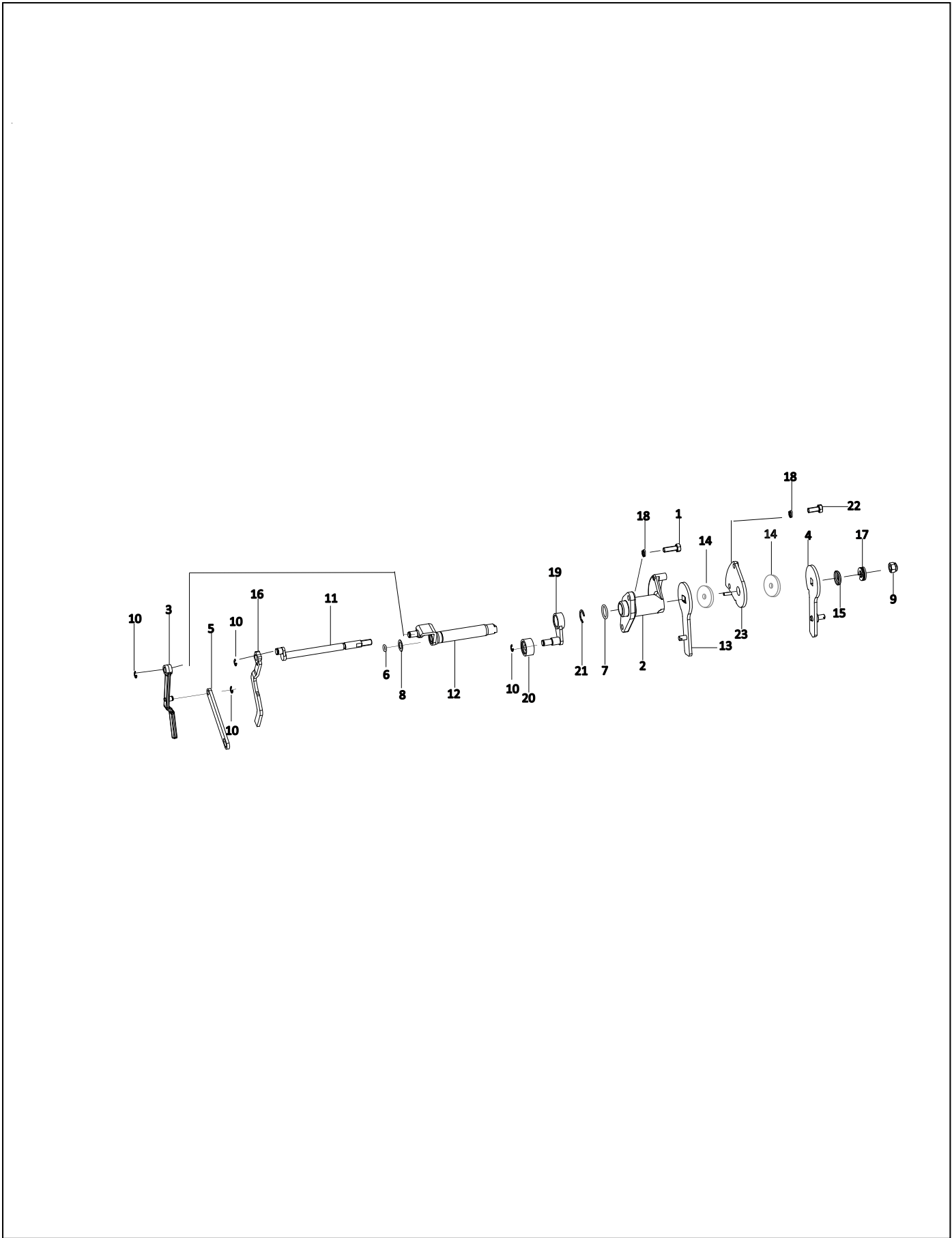


TABLE-51
QUADRANT SUBASSEMBLY (COMPACT)

Fig. No.	Part No.	Description	Qty
1	D81501470.9	BOLT M8X1.25X25-10.9 HEX HEAD	2
2	D10828270AB.9	HOUSING HYDRAULIC LIFT CONTROL QUADRANT	1
3	D10828890AB.9	LINK ASSEMBLY HYDRAULIC LIFT DRAFT CONTROL	1
4	D10825680AC.9	LEVER HYDRAULIC LIFT POSITION CONTROL	1
5	D10826420AC.9	LINK HYDRAULIC LIFT DRAFT CONTROL CONNECTER	1
6	D10007700.9	SEAL O RING 2.62X7.59	1
7	D10016360.9	SEAL O RING 2.65X20.50	1
8	D10835670.9	WASHER HYDRAULIC LIFT SHAFT THRUST	1
9	D83500170.9	NUT M10X1.50 NYLOCK HEX	1
10	D10006160.9	CIRCLIP C6X0.85 N	4
11	D10825660.9	SHAFT HYDRAULIC LIFT CONTROL LEVER	1
12	D10825670.9	SHAFT ASSEMBLY HYDRAULIC LIFT DRAFT CONTROL SELECTOR	1
13	D10825690AC.9	LEVER HYDRAULIC LIFT DRAFT CONTROL	1
14	D10826110.9	DISC HYDRAULIC LIFT CONTROL FRICTION	2
15	D10072300.9	WASHER LIFT CONTROL SHAFT CUP	1
16	D10825700AB.9	LINK HYDRAULIC LIFT POSITION CONTROL	1
17	D10072320.9	WASHER HYDRAULIC LIFT CONTROL SPRING	1
18	D86500030.9	WASHER M8 SPRING LOCK	4
19	D10826080AB.9	LEVER ASSEMBLY HYDRAULIC LIFT POSITION CONTROL	1
20	D10826090AB.9	ROLLER HYDRAULIC LIFT POSITION CAM FOLLOWER	1
21	D90000790.9	RING 0.78" RETAINING TYPE RC EXTERNAL	1
22	D81500110.9	BOLT M8X1.25X20-8.8 HEX HEAD	2
23	D10826100AB.9	DISC HYDRAULIC LIFT CONTROL	1

TABLE-52
COVER HYDRAULIC SUBASSEMBLY (COMPACT)

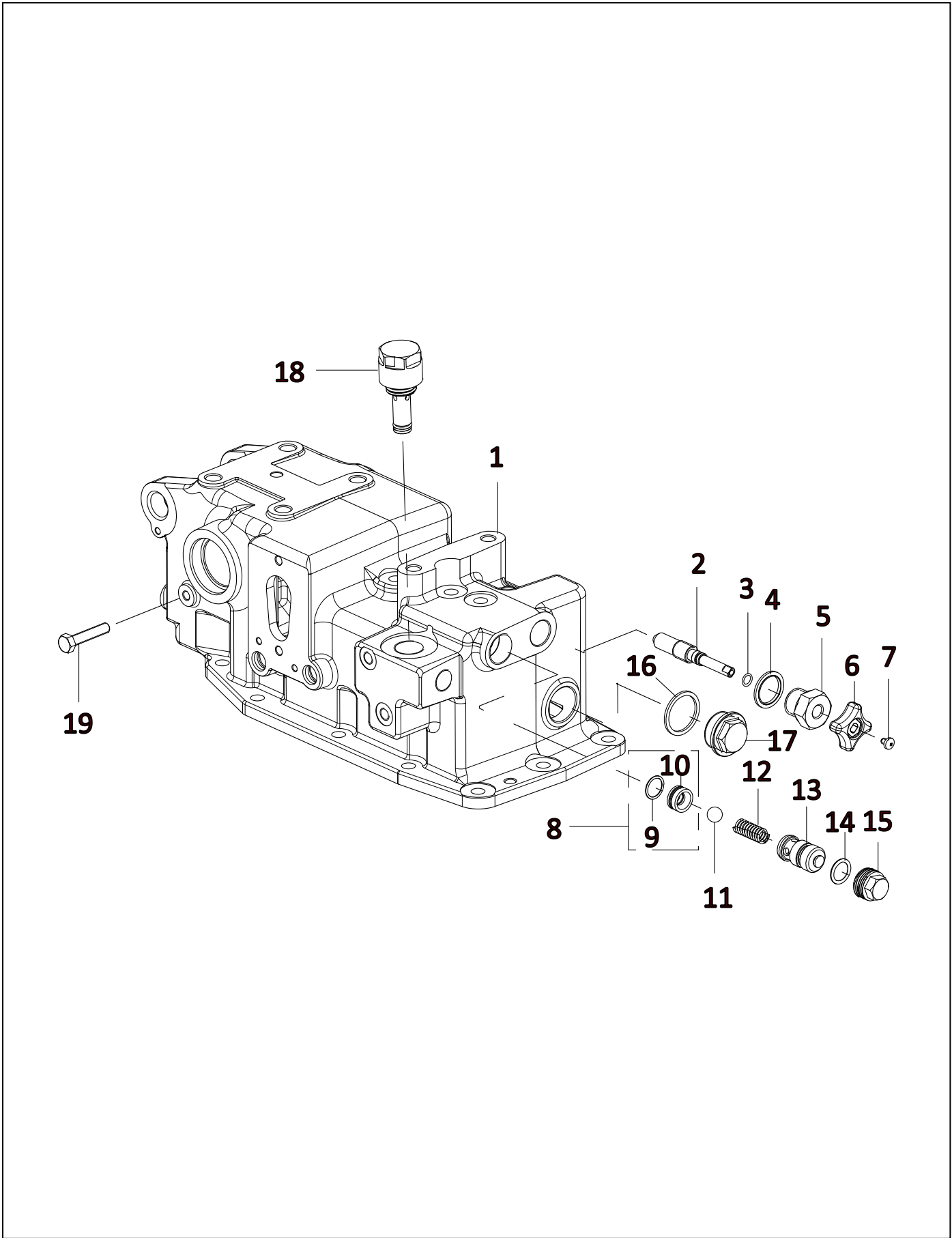


TABLE-52
COVER HYDRAULIC SUBASSEMBLY (COMPACT)

Fig. No.	Part No.	Description	Qty
1	D10828260AD.9	COVER HYDRAULIC LIFT TOP	1
2	D10828900AB.9	SPOOL COVER HYDRAULIC LIFT ACCESSORY	1
3	D93601060AB.9	SEAL O RING 1.5X7.5	1
4	D93601400.9	SEAL BONDED M22 (DOWTY)	1
5	D10531350.9	ADAPTER M22X1.5 COVER HYDRAULIC LIFT ACCESSORY	1
6	D10228950.9	KNOB COVER HYDRAULIC LIFT ACCESSORY UPPER	1
7	D10186500.9	SCREW COVER HYDRAULIC LIFT ACCESSORY	1
8	D10193040.9	SEAT HYDRAULIC LIFT CHECK VALVE AND SEAL ASSEMBLY	1
9	D93600270.9	SEAL O RING 0.070"X0.625" (S95 FINISH)	1
10	D10058870.9	SEAT HYDRAULIC LIFT CHECK VALVE	1
11	D10066970.9	BALL 15/32" DIAMETER	1
12	D10060590.9	SPRING HYDRAULIC LIFT CHECK VALVE	1
13	D10536090AD.9	RETAINER HYDRAULIC LIFT CHECK VALVE	1
14	D93600090.9	SEAL O RING 0.103"X0.625"	1
15	D10059150.9	PLUG HYDRAULIC LIFT CHECK VALVE	1
16	D10107280.9	WASHER COPPER HYDRAULIC LIFT (36X30X2)	1
17	D10238120.9	PLUG M30X1.5X12 WELCH	1
18	D10004120.9	VALVE ASSEMBLY HYDRAULIC LIFT PUMP RELIEF	1
19	D81500330.9	BOLT M8X1.25X40-8.8 HEX HEAD	1

TABLE-53
PUMP HYDRAULIC LIFT AND MOTOR SUBASSEMBLY

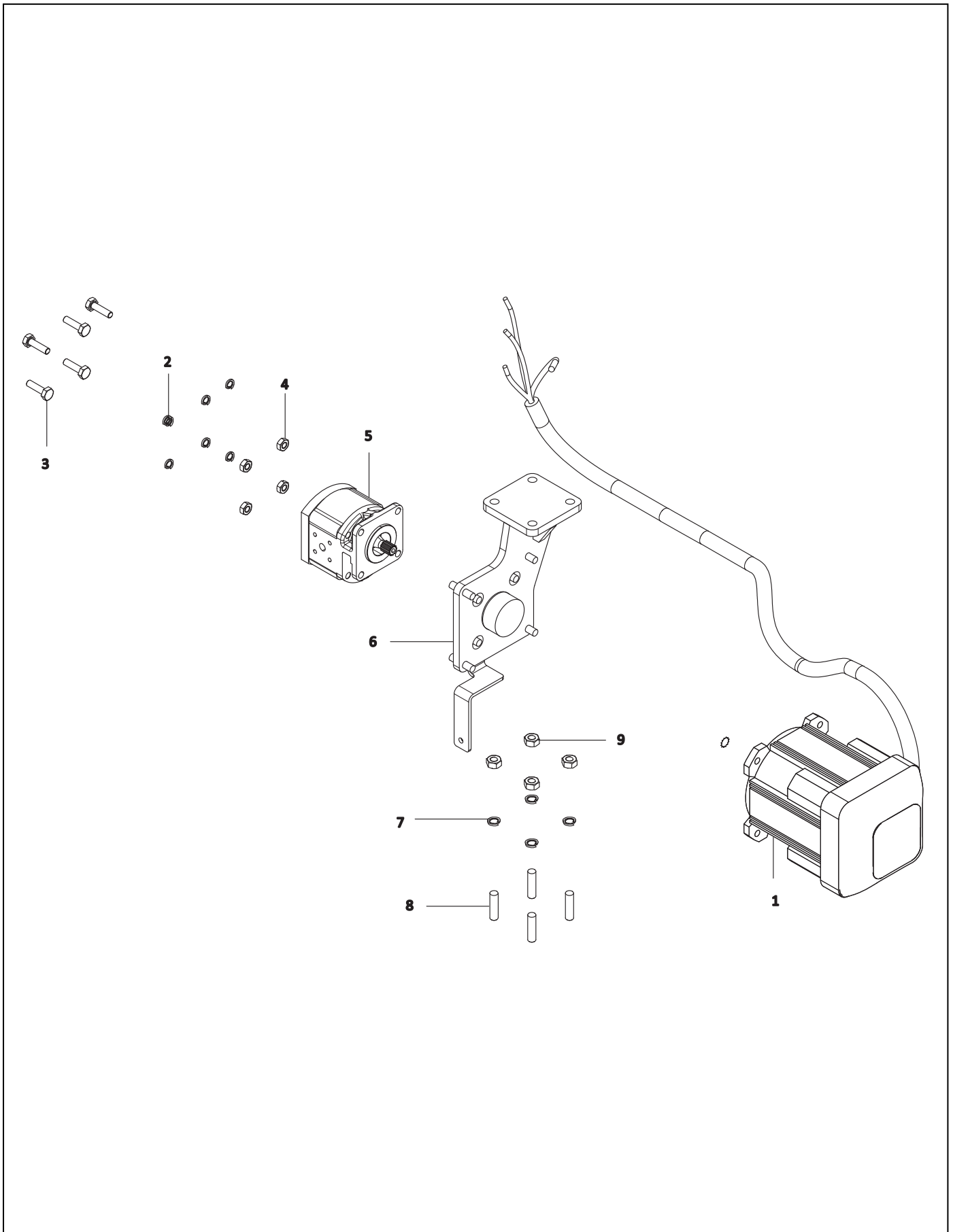


TABLE-53
PUMP HYDRAULIC LIFT AND MOTOR SUBASSEMBLY

Fig. No.	Part No.	Description	Qty
1	D10753650AD.9	MOTOR ASSEMBLY HYDRAULIC PUMP	1
2	D86500030.9	WASHER M8 SPRING LOCK	7
3	D81500310.9	SCREW M8X1.25X30-8.8 HEX HEAD	3
4	D83500110.9	NUT M8X1.25-8 HEX	4
5	D10744000.9	PUMP ASSEMBLY HYDRAULIC LIFT OIL (5.5 CC)	1
6	D10794410.9	BRACKET ASSEMBLY HYDRAULIC MOTOR AND PUMP MOUNTING	1
7	D86500050.9	WASHER M10 SPRING LOCK	4
8	D84500340.9	STUD B M10X1.5X40-10.9	4
9	D83500130.9	NUT M10X1.50-10P HEX	4

TABLE-54
TUBING HYDRAULIC SUCTION SUBASSEMBLY

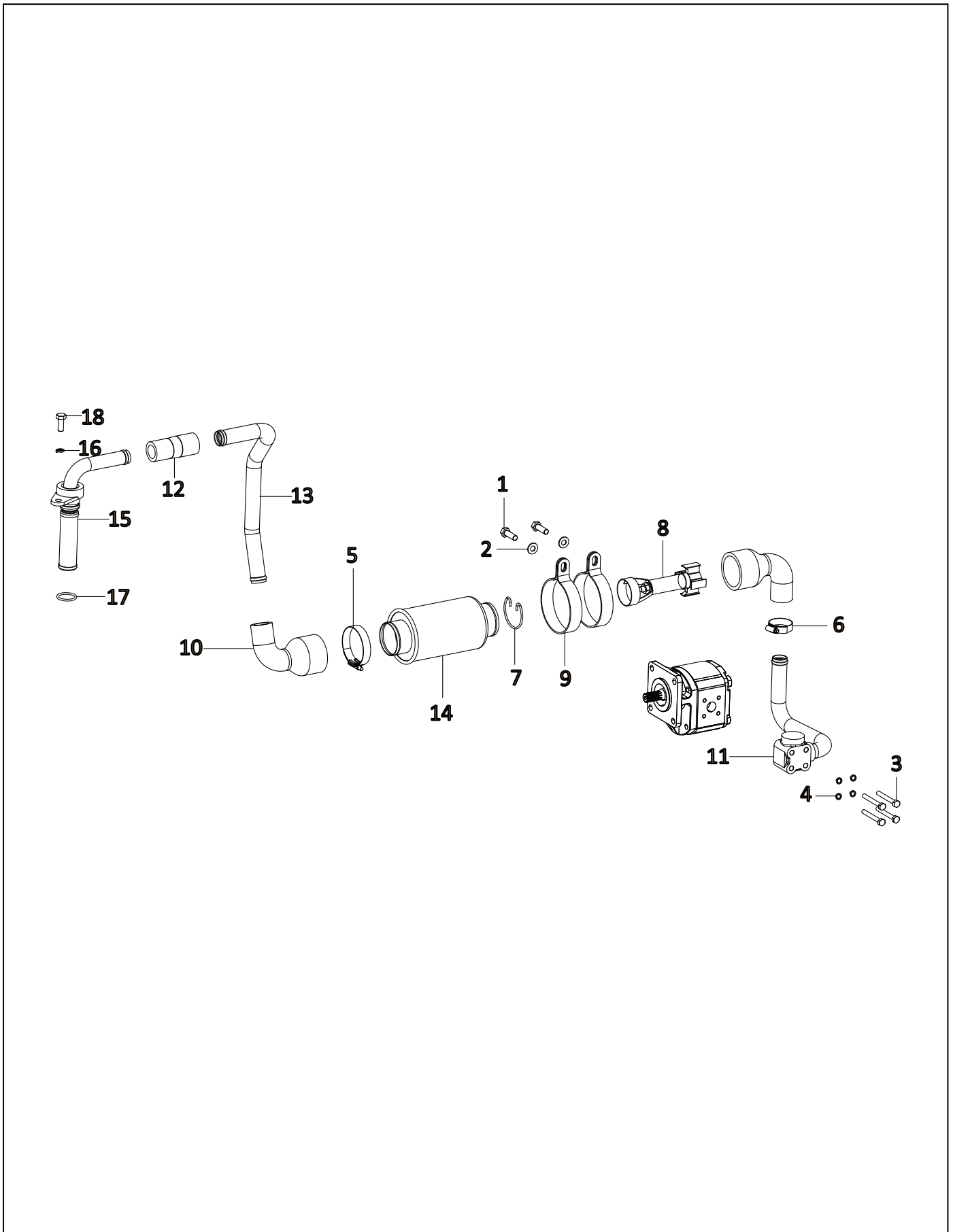


TABLE-54
TUBING HYDRAULIC SUCTION SUBASSEMBLY

Fig. No.	Part No.	Description	Qty
1	D81500590.9	BOLT M8X1.25X25-6.6 HEX HEAD	2
2	D85500130.9	WASHER M8 FLAT	2
3	D81501760.9	BOLT M6X1.00X45-10.9 HEX HEAD	4
4	D86500040.9	WASHER M6 SPRING LOCK	4
5	D10330480.9	CLAMP HOSE WORM DRIVE 60MM	2
6	D10293010.9	CLAMP ASSEMBLY HOSE 40MM	4
7	D10603870.9	CLIP WIRE STRAINER	1
8	D10603860.9	STRAINER HYDRAULIC SUCTION (MAGNETIC)	1
9	D10527110.9	CLAMP SUCTION STRAINER HOLDING	2
10	D10792110.9	HOSE SUCTION TUBE TO STRAINER	2
11	D10792130.9	TUBE ASSEMBLY HOSE STRAINER TO PUMP INLET	1
12	D10792100.9	HOSE HYDRAULIC SUCTION	1
13	D10792120.9	TUBE HYDRAULIC SUCTION HOSE TO HOSE STRAINER	1
14	D10528850.9	STRAINER ASSEMBLY HYDRAULIC OIL 102 LPM	1
15	D10557920.9	STRAINER ASSEMBLY HYDRAULIC SUCTION	1
16	D86500030.9	WASHER M8 SPRING LOCK	1
17	D10016350.9	SEAL O RING 2.65X25.00	1
18	D81500110.9	BOLT M8X1.25X20-8.8 HEX HEAD	1

TABLE-55
TUBING HYDRAULIC PRESSURE SUBASSEMBLY

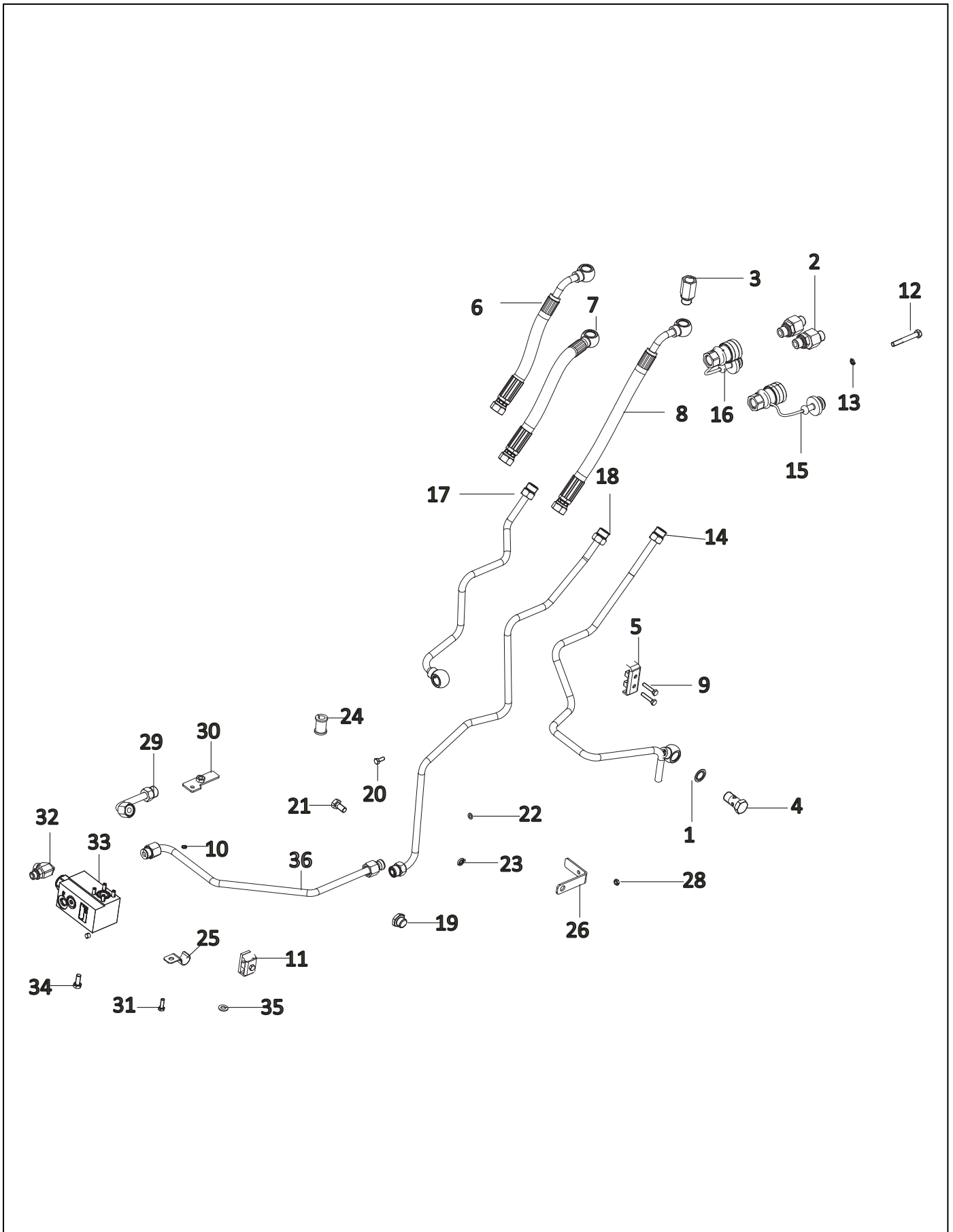


TABLE-55
TUBING HYDRAULIC PRESSURE SUBASSEMBLY

Fig. No.	Part No.	Description	Qty
1	D10174950AD.9	SEAL BANJO BOLT DISTRIBUTOR TO CYLINDER TUBE	12
2	D10514960.9	ADAPTOR 3/4"-16 UNF AND M18X1.50 (S TYPE)	2
3	D10527310.9	CONNECTOR M18X1.50 AND M18X1.50 STUD END	1
4	D10174960AD.9	BOLT BANJO M18X1.50	5
5	D10911710AA.9	BRACKET ASSEMBLY POWER STEERING TUBE HOLDING	1
6	D10911460AB.9	TUBE AND HOSE ASSEMBLY QRC TO TANK	1
7	D10911500AA.9	HOSE ASSEMBLY CONNECTOR TO SPOOL VALVE INLET	1
8	D10911440AA.9	TUBE AND HOSE ASSEMBLY CONNECTOR TO DCV	1
9	D10466130.9	BOLT M6X30-5.8 HEX HEAD (FTES SRUBA M6X30-5.8)	2
10	D86500040.9	WASHER M6 SPRING LOCK	1
11	D10408760.9	CLAMP ASSEMBLY TUBING HYDRAULIC PRESSURE	1
12	D81500130.9	BOLT M8X1.25X60-8.8 HEX HEAD	2
13	D86500030.9	WASHER M8 SPRING LOCK	3
14	D11468650AB.9	TUBE ASSEMBLY CONNECTOR TO CENTRE HOUSING	1
15	D11210380AA.9	COUPLING ASSEMBLY VALVE HYDRAULIC REMOTE POPPET TYPE	1
16	D11210200AA.9	COUPLING ASSEMBLY VALVE HYDRAULIC REMOTE POPPET TYPE	1
17	D11500210AA.9	TUBE ASSEMBLY DCV TO HYDRAULIC LIFT INLET	1
18	D11564810AA.9	TUBE ASSEMBLY HYDRAULIC CONNECTOR TO CONNECTOR	1
19	D10006500.9	PLUG M18X1.5X12-6.8 HEX HEAD	1
20	D82500220.9	SCREW M6X1.00X15-8.8 HEX HEAD	1
21	D81500200.9	BOLT M10X1.50X20-6.6 HEX HEAD	1
22	D85500110.9	WASHER M6 FLAT	1
23	D86500050.9	WASHER M10 SPRING LOCK	1
24	D10413940.9	GROMMET TUBE RETURN STEERING MOTOR TO RESERVOIR	2
25	D10548020.9	CLAMP TUBE HOLDING DIA 12	2
26	D10609280.9	BRACKET ASSEMBLY HYDRAULIC TUBE HOLDING	1
28	D83500070.9	NUT M6X1.00-6 HEX	1
29	D11038310AA.9	TUBE ASSEMBLY FLOW CONTROL VALVE TO CONNECTOR	1
30	D11038330AA.9	BRACKET ASSEMBLY TUBE HYDRAULIC	1
31	D81500490.9	BOLT M6X1.0X20-6G HEX HEAD	1
32	D10508790.9	ELBOW 13/16"-16 UNF AND 9/16"-18 UNF	1
33	D11062080AC.9	VALVE ASSEMBLY HYDRAULIC PRIORITY (FIXED FLOW TYPE)	1
34	D81500110.9	BOLT M8X1.25X20-8.8 HEX HEAD	1
35	D85500050.9	WASHER M8 FLAT	1
36	D10792330BA.9	TUBE ASSEMBLY FLOW CONTROL VALVE TO CONNECTOR	1

TABLE-56
SPOOL VALVE ASSEMBLY (COMPACT ELECTRIC HST)

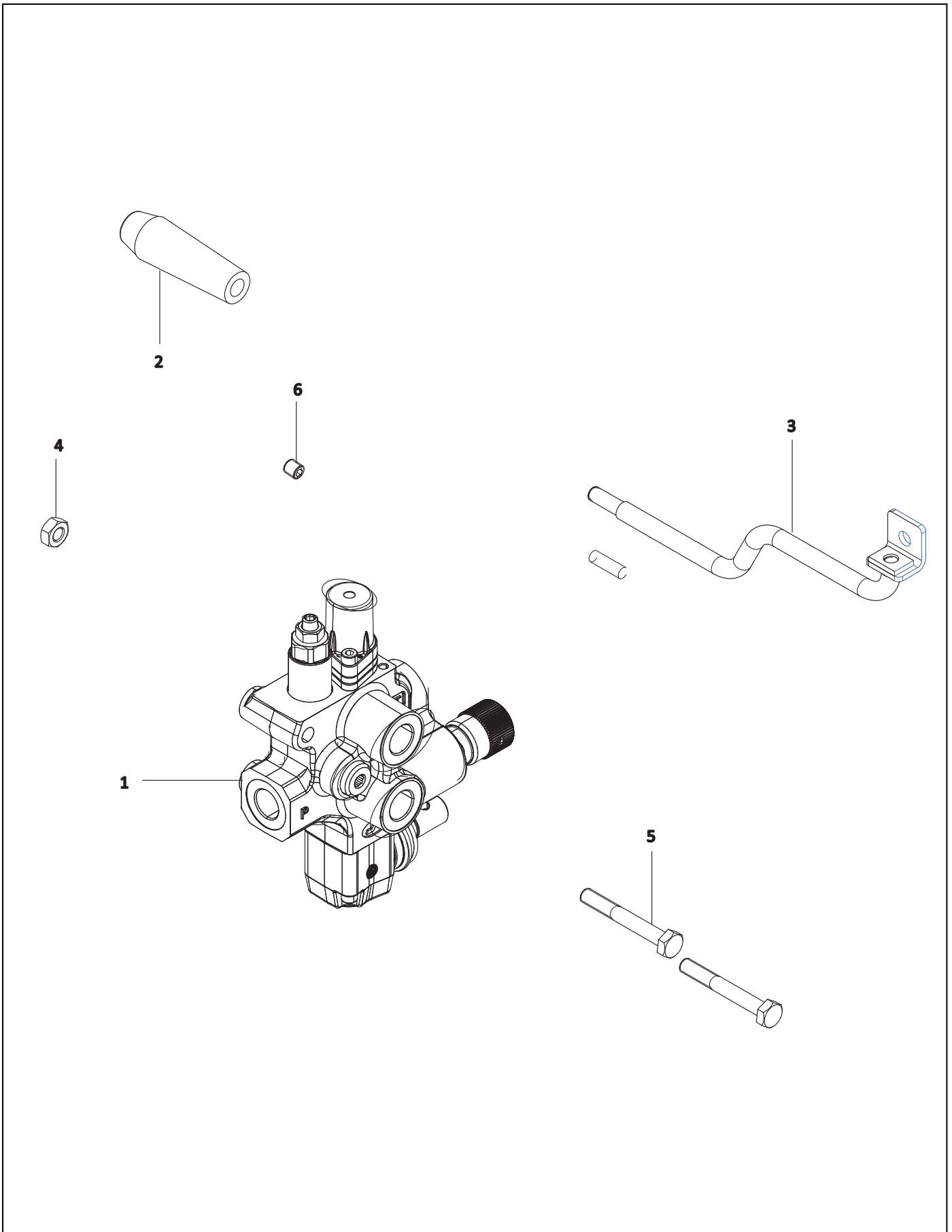


TABLE-56
SPOOL VALVE ASSEMBLY (COMPACT ELECTRIC HST)

Fig. No.	Part No.	Description	Qty
1	D10898150.9	VALVE ASSEMBLY HYDRAULIC CONTROL SINGLE SPOOL (DOUBLE ACTING DETENT TYPE)	1
2	D10215860.9	KNOB HAND THROTTLE CONTROL LEVER	1
3	D10570140.9	LEVER SPOOL VALVE	1
4	D83500110.9	NUT M8X1.25-8 HEX	1
5	D81500130.9	BOLT M8X1.25X60-8.8 HEX HEAD	2
6	D82501340AB.9	SCREW GRUB M8X1.25X8.0	1

TABLE-57
LINKAGE THREE POINT SUBASSEMBLY

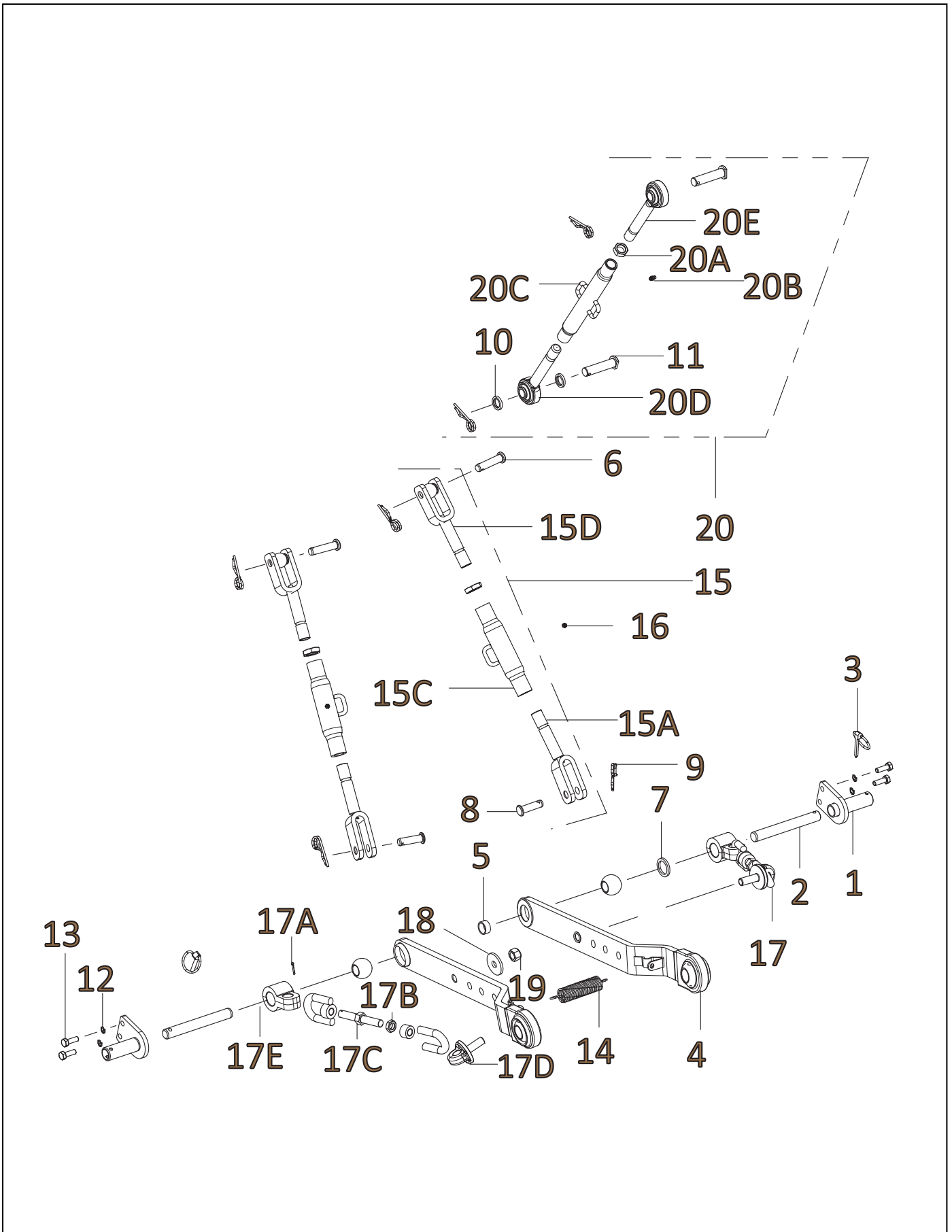


TABLE-57
LINKAGE THREE POINT SUBASSEMBLY

Fig. No.	Part No.	Description	Qty
1	D10773380.9	PIN ASSEMBLY LOWER LINK MOUNTING	2
2	D10773400.9	PIN LOWER LINK MOUNTING	2
3	D10212630.9	PIN LYNCH LOCKING ASSEMBLY	2
4	D10835740AB.9	LINK ASSEMBLY HYDRAULIC LOWER LINK	2
5	D10551310.9	WASHER M23X12.5 LOWER LINK MOUNTING	2
6	D10850740.9	PIN UPPER HYDRAULIC LIFT LEVELING	2
7	D10551300.9	WASHER M30X4.5 LOWER LINK MOUNTING	2
8	D10850750.9	PIN LOWER HYDRAULIC LIFT LEVELING	2
9	D87500530.9	PIN 4.0X75 SPRING R TYPE DOUBLE COIL (IS:6483)	6
10	D85500470.9	WASHER M20X30X5.0 FLAT	2
11	D10554400.9	PIN HYDRAULIC LIFT UPPER	2
12	D86500050.9	WASHER M10 SPRING LOCK	4
13	D81502320.9	BOLT M10X1.50X30-10.9 HEX HEAD	4
14	D10753620.9	SPRING LOWER LINK HOLDING	1
15	D10848220.9	ROD ASSEMBLY HYDRAULIC LIFT LEVELING	2
15A	D10848300.9	ROD AND FORK UPPER ASSEMBLY HYDRAULIC LIFT LEVELLING ROD LH	1
15C	D10848270.9	SLEEVE ASSEMBLY HYDRAULIC LIFT LEVELLING ROD	1
15D	D10848230.9	ROD AND FORK UPPER ASSEMBLY HYDRAULIC LIFT LEVELLING ROD RH	1
16	D92500010.9	GREASE NIPPLE B M6	5
17	D10835760AB.9	CHAIN ASSEMBLY LOWER LIFT LINK CHECK	2
17A	D88400260.9	PIN 2.5X22.5 COTTER	1
17B	D83501390AA.9	NUT M16X2 LOCK	1
17C	D11238910AA.9	ROD THREADED LIFT LINK CHECK CHAIN	1
17D	D11238930AA.9	LINK ASSEMBLY RH CHECK CHAIN	1
17E	D11238900AA.9	LINK ASSEMBLY LH CHECK CHAIN	1
18	D86500250.9	WASHER M16 FLAT DIA 50	2
19	D83500980.9	NUT M16X2.0X8.8 HEX NYLOCK	2
20	D10848120.9	LINK ASSEMBLY HYDRAULIC UPPER LIFT	1
20A	D10848210.9	NUT M22X2.5X11 LOCK (RH THREAD)	1
20B	D10848180.9	SLEEVE ASSEMBLY HYDRAULIC UPPER LIFT LINK	1
20C	D10848160AB.9	LINK AND BALL ASSEMBLY HYDRAULIC LIFT UPPER RH	1
20D	D10848130AB.9	LINK AND BALL ASSEMBLY HYDRAULIC UPPER LH	1

TABLE-58
SWINGING DRAWBAR SUB ASSEMBLY

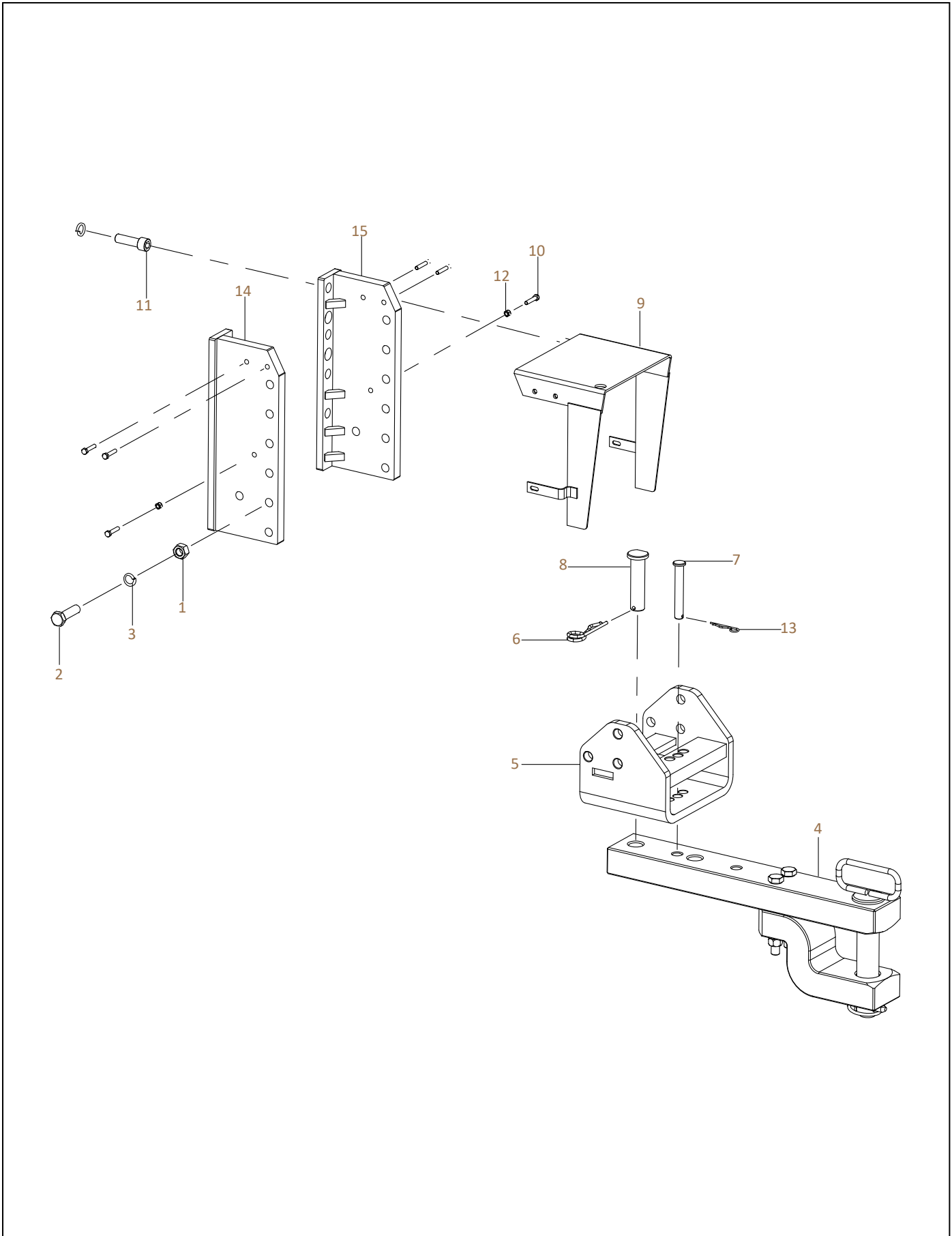


TABLE-58
SWINGING DRAWBAR SUB ASSEMBLY

Fig. No.	Part No.	Description	Qty
1	D83500760.9	NUT M12X1.75-6 HEX (GRADE 10.9)	6
2	D10007150.9	BOLT M12X1.75X45-10.9 HEX HEAD	6
3	D86500020.9	WASHER M12 SPRING LOCK	14
4	D10902370AB.9	SWINGING DRAWBAR ASSEMBLY	1
5	D10902740AA.9	BRACKET SWINGING DRAWBAR MOUNTING ASSEMBLY	1
6	D87500530.9	PIN 4.0X75 SPRING R TYPE DOUBLE COIL (IS:6483)	1
7	D10904630AA.9	PIN GUIDING SWINGING DRAWBAR MOUNTING	1
8	D10904640AA.9	PIN LOADING SWINGING DRAWBAR MOUNTING	1
9	D10941900AA.9	GUARD PTO ASSEMBLY	1
10	D82500600.9	BOLT M5X0.80X25-8.8 HEX HEAD	6
11	D81503350.9	BOLT M12X1.75X40-10.9 ALLEN	8
12	D83500010.9	NUT M5X0.8-6 PLATED	2
13	D87500500.9	PIN 2X51 SPRING R TYPE (IS:6483)	1
14	D10937120AA.9	BRACKET ASSEMBLY TOW HOOK MOUNTING LH	1
15	D10937130AA.9	BRACKET ASSEMBLY TOW HOOK MOUNTING RH	1

TABLE-59
HARDWARE BUCKLE UP ADAPTOR PLATE & BACKEND SUBASSEMBLY

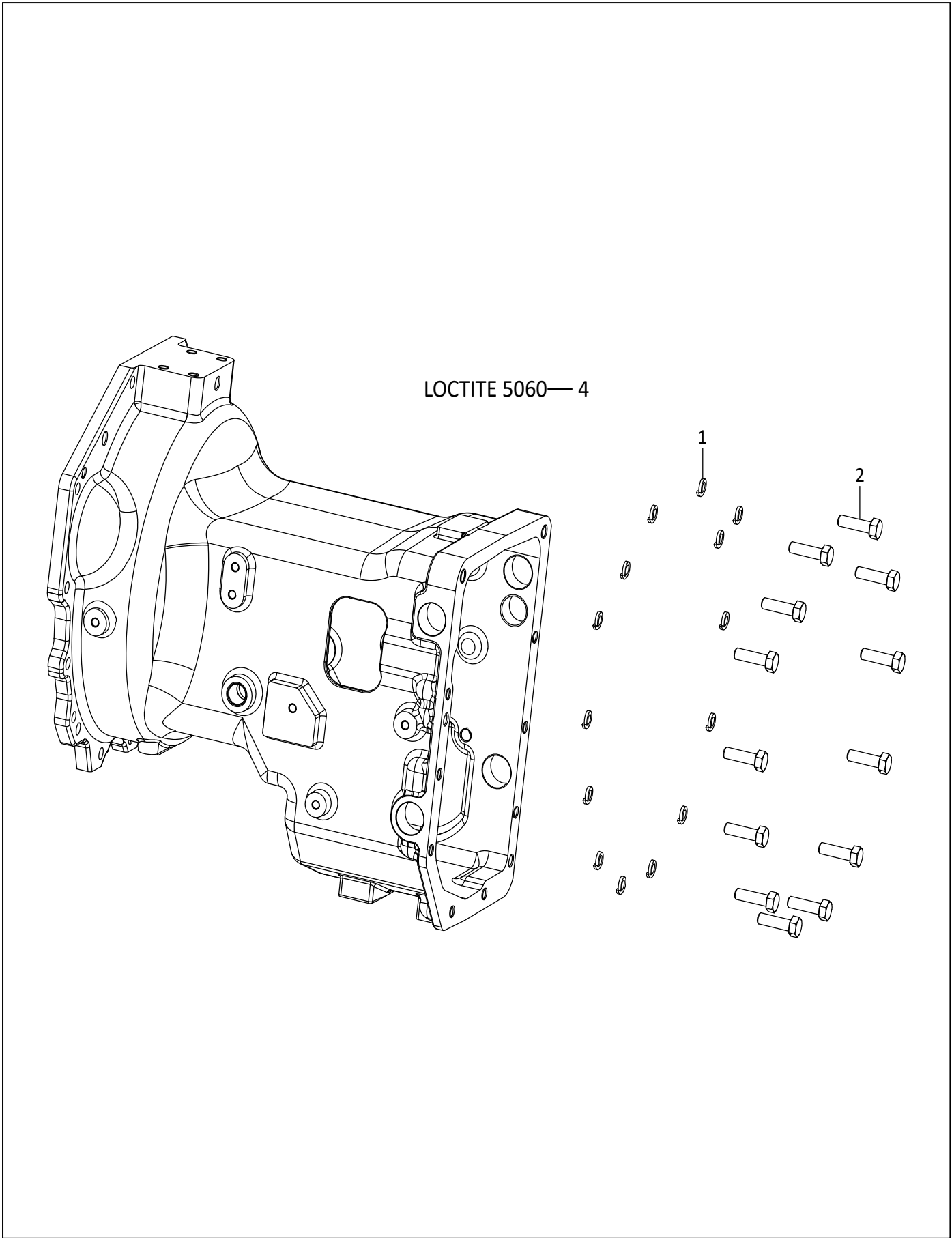


TABLE-59
HARDWARE BUCKLE UP ADAPTOR PLATE & BACKEND SUBASSEMBLY

Fig. No.	Part No.	Description	Qty
1	D86500090.9	WASHER M10 SPRING LOCK	14
2	D81503870.9	BOLT M10X1.50X35-10.9 HEX HEAD (16 A/F)	13
4	D95019520.9	LOCTITE 5060 (SILICON SEALANT) 25ML	AR

TABLE-60
BOX ELECTRONIC AND CONTROLLER SUBASSEMBLY

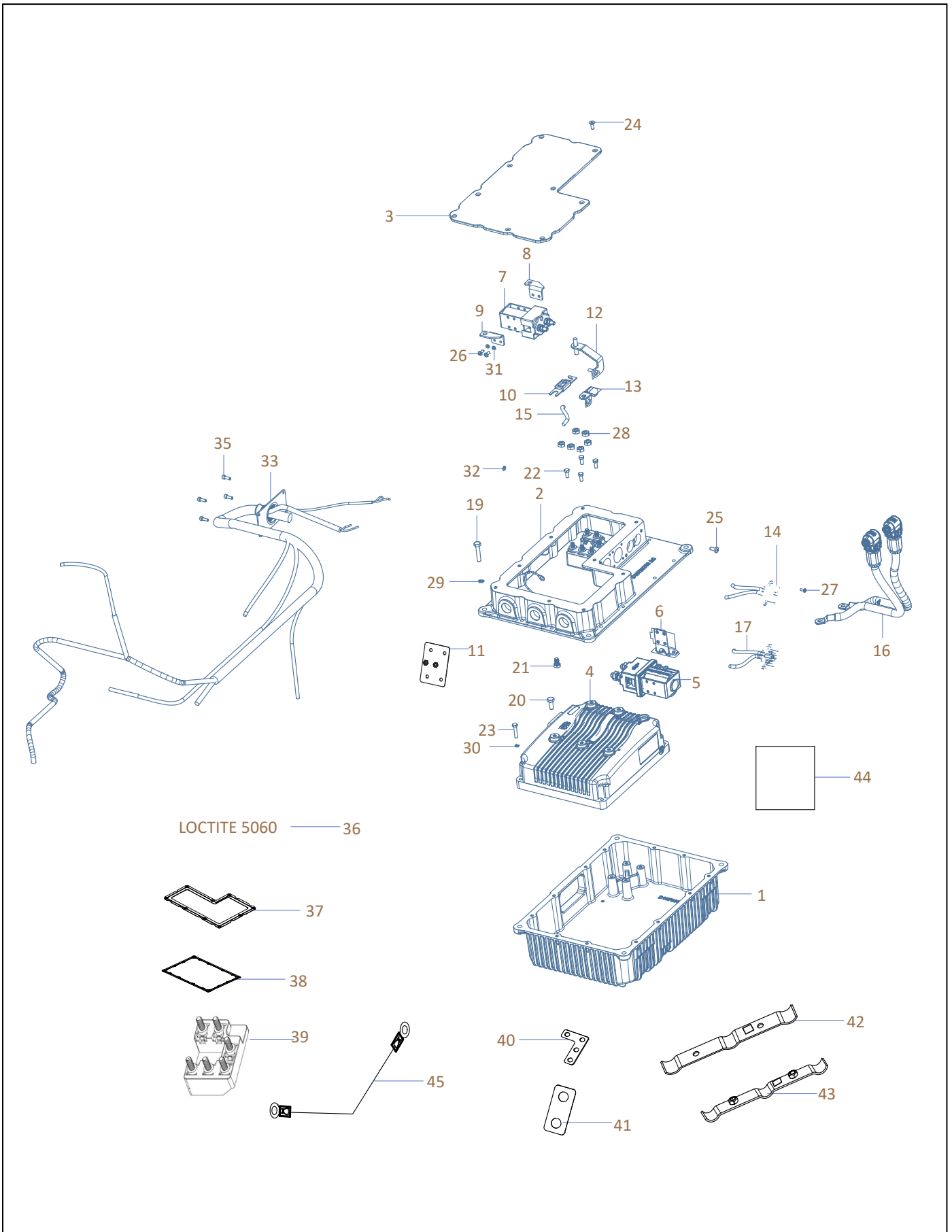


TABLE-60
BOX ELECTRONIC AND CONTROLLER SUBASSEMBLY

Fig. No.	Part No.	Description	Qty
1	D10793670AC.9	HOUSING ECU BOX MOUNTING LOWER	1
2	D10793690AD.9	HOUSING ECU BOX MOUNTING UPPER	1
3	D10793710AC.9	COVER ECU BOX MOUNTING TOP	1
4	D10655810.9	CONTROLLER ASSEMBLY 1238E	1
5	D10757690.9	CONTACTOR MAIN ASSEMBLY SW200	1
6	D10774230.9	BRACKET CONTACTOR MOUNTING	1
7	D10791840.9	CONTACTOR ASSEMBLY HYDRAULIC	1
8	D10799420.9	BRACKET HYDRAULIC CONTACTOR MOUNTING LH	1
9	D10799430.9	BRACKET HYDRAULIC CONTACTOR MOUNTING RH	1
10	D10757670.9	FUSE 355A BATTERY CUT OFF	1
11	D11004980AA.9	PLATE INSULATOR MOUNTING	2
12	D10774190.9	BUSBAR CONTACTOR TO FUSE	1
13	D10774200.9	BUSBAR CONTACTOR TO CONTROLLER	1
14	D10774210AC.9	HARNESS ASSEMBLY ELECTRONIC BOX PIGTAIL	1
15	D10802230.9	CABLE ASSEMBLY PIGTAIL HYDRAULIC	1
16	D10774220AC.9	CABLE ASSEMBLY BATTERY BOX TO ELECTRONIC BOX	1
17	D10791850.9	CABLE ASSEMBLY ELECTRONIC BOX HYDRAULIC	1
19	D81503440.9	BOLT M8X1.25X40-10.9 HEX HEAD	2
20	D81500110.9	BOLT M8X1.25X20-8.8 HEX HEAD	5
21	D82500070.9	SCREW M8X1.25X15-6.8 HEX HEAD	2
22	D81503950.9	BOLT M6X1.0X25-8.8 ALLEN	4
23	D82500020.9	SCREW M6X1.00X30-5D HEX HEAD	4
24	D82501380.9	SCREW M6X1.0X15-8.8 COUNTERSUNK HEAD	9
25	D10392470.9	SCREW M6 CROSS RECESSED	4
26	D82501220.9	SCREW M5X0.80X9.0 CROSS RECESSED PAN HEAD	8
27	D10016990.9	SCREW M4X0.70X10	8
28	D83500060.9	NUT M8X1.25-6 HEX	4
29	D86500030.9	WASHER M8 SPRING LOCK	6
30	D86500040.9	WASHER M6 SPRING LOCK	8
31	D86500010.9	WASHER M5 SPRING LOCK	8
32	D85500090.9	WASHER M5 FLAT	4
33	D10774240AD.9	HARNESS ASSEMBLY ELECTRONIC CONTROL	1
35	D82500920AB.9	SCREW M5X0.8X15 ALLEN	4
36	D95019520.9	LOCTITE 5060 (SILICON SEALANT) 25ML	10
37	D11013260AA.9	GASKET ECU BOX MOUNTING TOP	1
38	D11013270AA.9	GASKET ECU BOX MOUNTING CENTRE	1
39	D11004960AA.9	INSULATOR FUSE MOUNTING	1
40	D10980310AA.9	BRACKET BUS BAR PDU	1
41	D11012440AA.9	BRACKET BUS BAR PDU	1
42	D11038170AA.9	CLAMP HOLDING MOTOR HARNESS	1

TABLE-60
BOX ELECTRONIC AND CONTROLLER SUBASSEMBLY

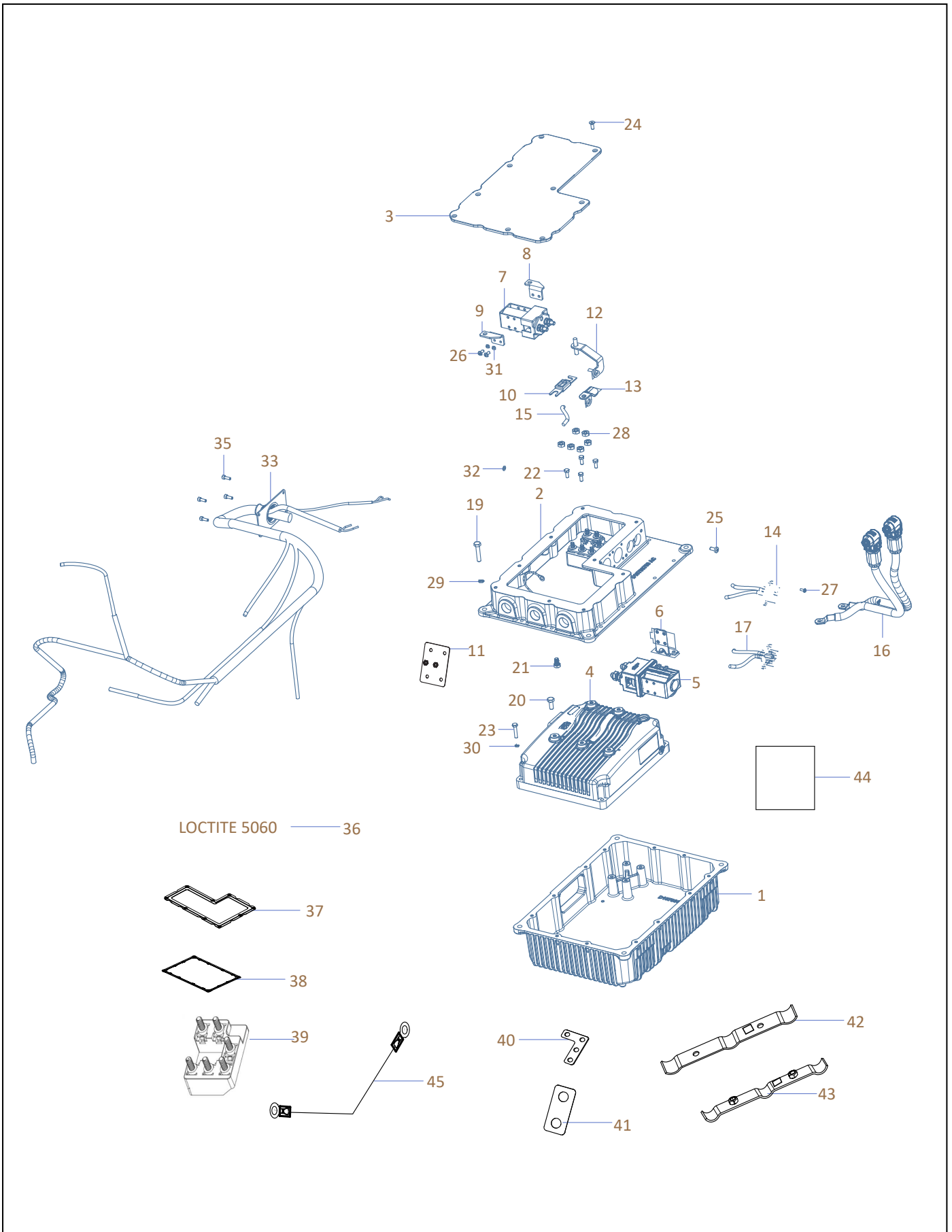


TABLE-60
BOX ELECTRONIC AND CONTROLLER SUBASSEMBLY

Fig. No.	Part No.	Description	Qty
43	D11038180AA.9	CLAMP HOLDING MOTOR HARNESS	1
44	D11074180AA.9	PAD THERMALLY CONDUCTIVE FOR MOTOR CONTROLLER	1
45	D11076350AA.9	HARNESS ASSEMBLY FOR EARTHING	1

TABLE-61
BOX BATTERY AND GUIDE RAIL SUBASSEMBLY

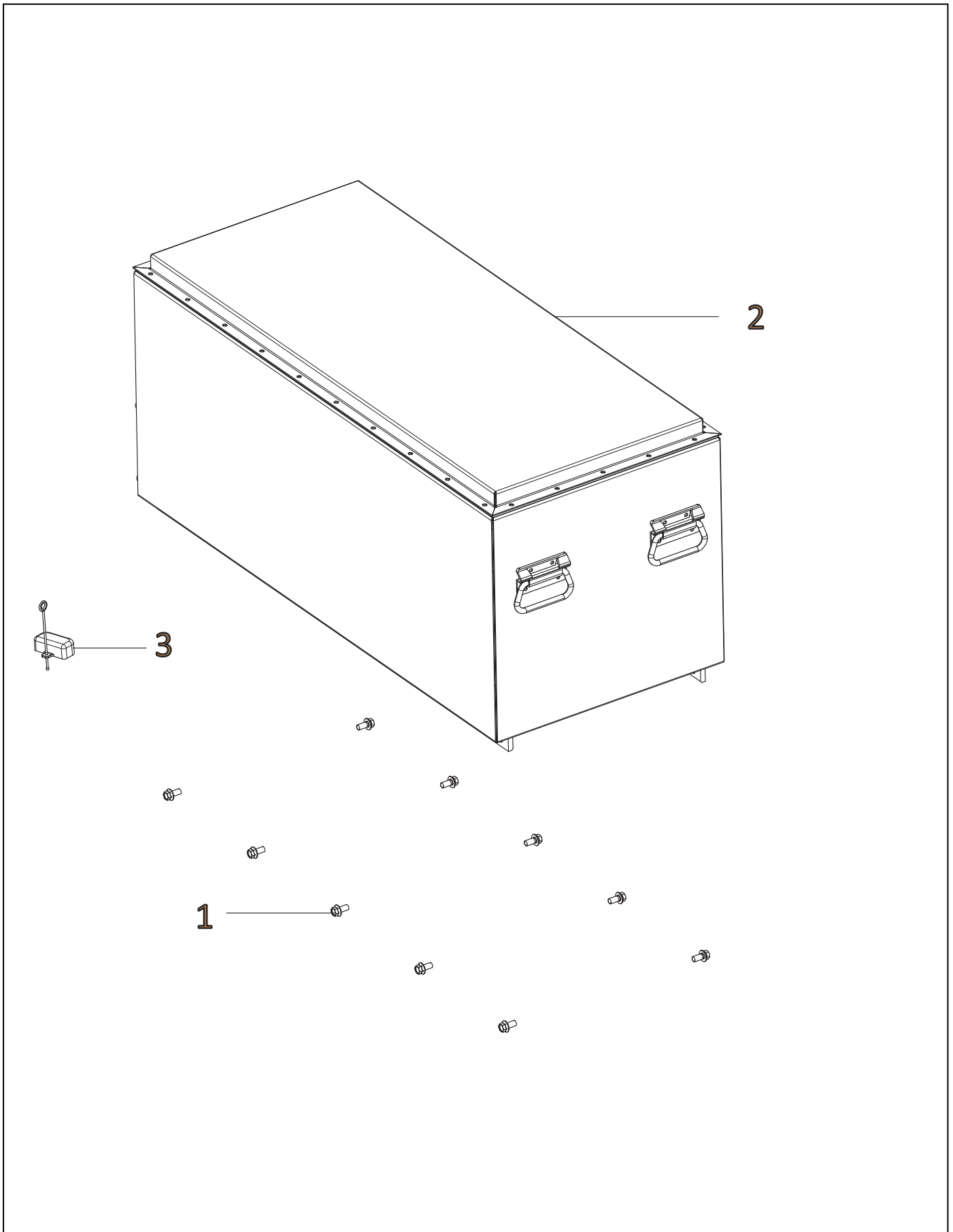


TABLE-61
BOX BATTERY AND GUIDE RAIL SUBASSEMBLY

Fig. No.	Part No.	Description	Qty
1	D81501580.9	BOLT M8X1.25X16 HEX HEAD FLANGED	10
2	D10809930AC.9	BOX ASSEMBLY BATTERY (72V 300AH)	1
3	D11259770AA.9	COVER ASSEMBLY DUST	1

TABLE-62
BATTERY CUTOFF SUBASSEMBLY

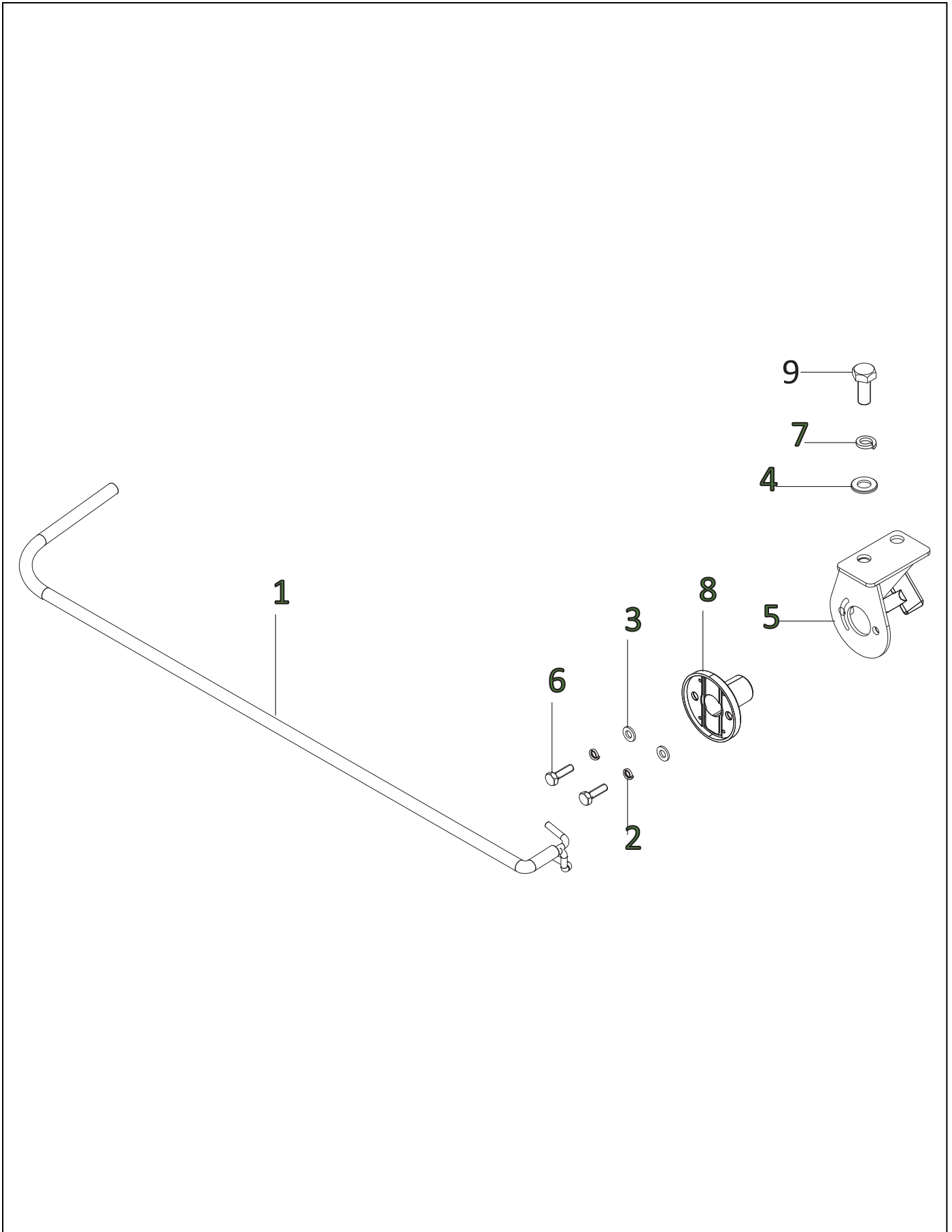


TABLE-62
BATTERY CUTOFF SUBASSEMBLY

Fig. No.	Part No.	Description	Qty
1	D11491120AB.9	HARNESS PIGTAIL 12V BATTERY DISCONNECT SWITCH	1
2	D86500040.9	WASHER M6 SPRING LOCK	2
3	D85500040.9	WASHER M6 FLAT	2
4	D85500010.9	WASHER M10 FLAT	2
5	D11499010AA.9	BRACKET ASSEMBLY BATTERY CUT OFF SWITCH	1
6	D10034950.9	SCREW M6X1.00X20-6.6 HEX HEAD	2
7	D86500090.9	WASHER M10 SPRING LOCK	2
8	D11506330AA.9	BATTERY CUT-OFF SWITCH (12V)	1
9	D81500280.9	BOLT M10X1.50X25-6G HEX HEAD (CARRARO PART NO 127922)	2

TABLE-63
DASHBOARD LOWER AND BATTERY SIDE COVER SUB ASSEMBLY

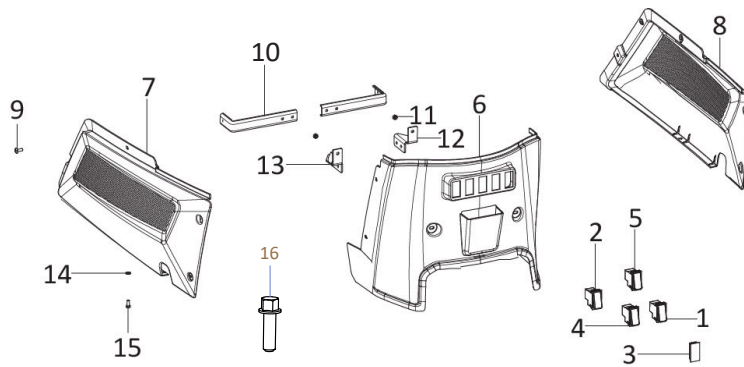


TABLE-63
DASHBOARD LOWER AND BATTERY SIDE COVER SUB ASSEMBLY

Fig. No.	Part No.	Description	Qty
1	D10793910.9	SWITCH ASSEMBLY HYDRAULIC LIFT SELECTION	1
2	D10842940.9	SWITCH ASSEMBLY HAZARD	1
3	D10027010.9	GROMMET COMBINATION SWITCH	1
4	D10609160.9	SWITCH ASSEMBLY WET CLUTCH	1
5	D10793900.9	SWITCH ASSEMBLY HYDRAULIC PUMP	1
6	D10791580.9	COVER DASHBOARD LOWER	1
7	D10791600.9	BATTERY BOX SIDE COVER LH	1
8	D10791610.9	BATTERY BOX SIDE COVER RH	1
9	D82501190.9	SCREW M6X1.0X16 TRUSS HEAD CROSS SLOTTED	12
10	D10796970.9	BRACKET ASSEMBLY LOWER MOUNTING DASH BOARD FRONT	2
11	D83500220.9	NUT M6X1.00-5 HEX	4
12	D10797020.9	BRACKET ASSEMBLY LOWER MOUNTING DASH BOARD REAR RH	1
13	D10796990.9	BRACKET ASSEMBLY LOWER MOUNTING DASH BOARD REAR LH	1
14	D85500040.9	WASHER M6 FLAT	10
15	D82500220.9	SCREW M6X1.00X15-8.8 HEX HEAD	10
16	D10011090.9	BOLT M6X1.00X20-6.6 HEX FLANGED (LUBE OIL PUMP)	4

TABLE-64
ACCESSORIES SUBASSEMBLY (USA)

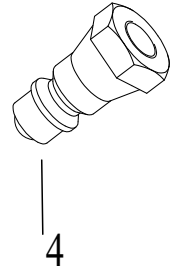
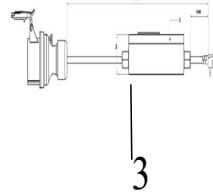
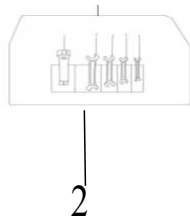
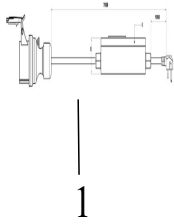


TABLE-64
ACCESSORIES SUBASSEMBLY (USA)

Fig. No.	Part No.	Description	Qty
1	D11248910AB.9	CHARGING CABLE BATTERY ASSEMBLY 220V	1
2	D10698100AE.9	TOOL KIT	1
3	D11248650AB.9	CHARGING CABLE BATTERY ASSEMBLY 110V	1
4	D10173630.9	ADAPTOR VALVE HYDRAULIC REMOTE	2

TABLE-65
ELECTRICAL SUB ASSEMBLY

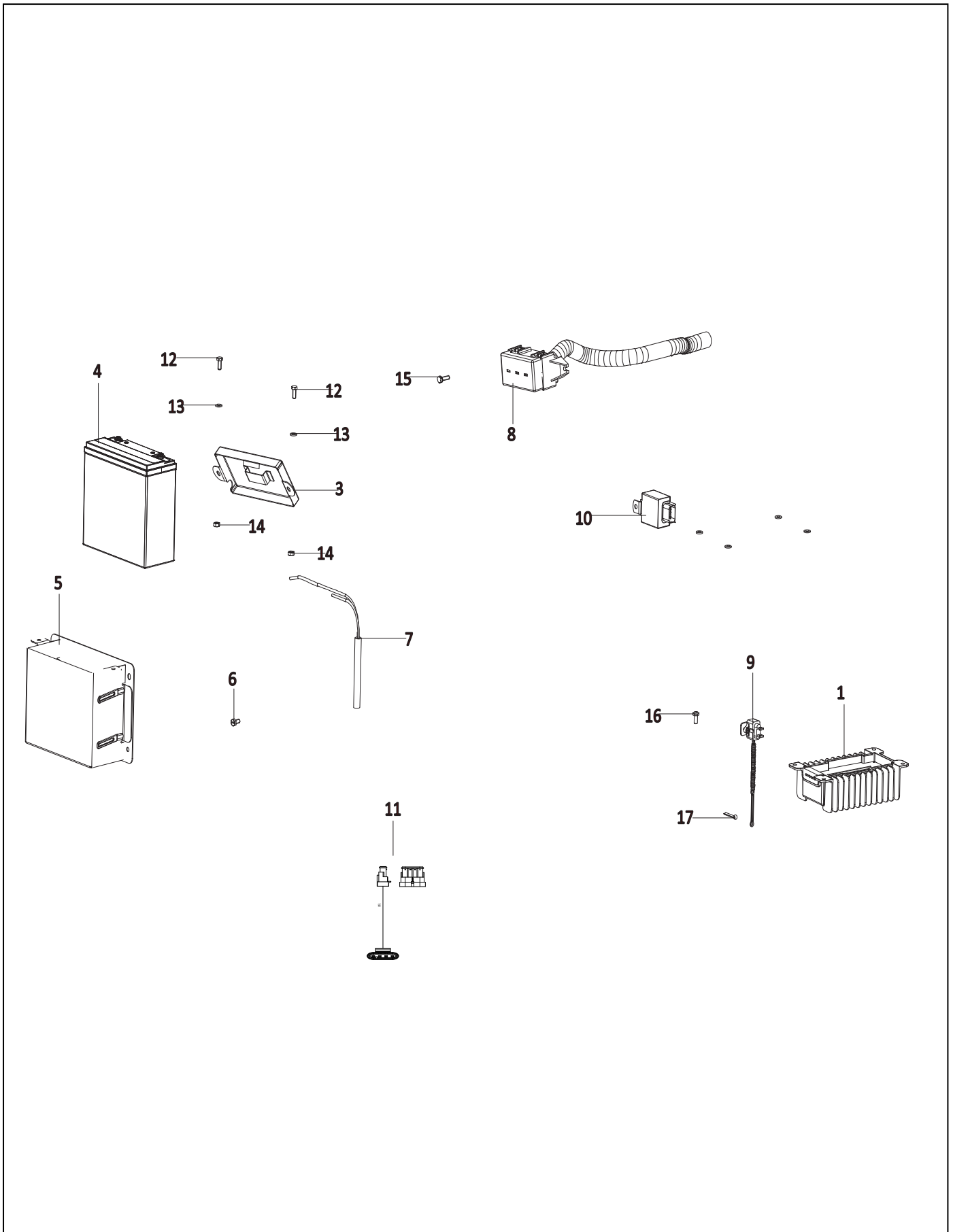


TABLE-65
ELECTRICAL SUB ASSEMBLY

Fig. No.	Part No.	Description	Qty
1	D10769710.9	CONVERTER ASSEMBLY 500W	1
3	D10799400.9	COVER BATTERY BOX TOP	1
4	D10769720.9	BATTERY ASSEMBLY 12V 20AH	1
5	D10799410.9	COVER BATTERY BOX BOTTOM	1
6	D82500770.9	SCREW M6X1.00X12-6.6 HEX HEAD SLOTTED	5
7	D10789900.9	HARNESS ASSEMBLY AUXILIARY BATTERY PIGTAIL	1
8	D11087020AA.9	HARNESS ASSEMBLY FUSE BOX	1
9	D10521100.9	SWITCH ASSEMBLY STOP LAMP (SPRING TYPE)	1
10	D10744970.9	UNIT ENGINE SHUT OFF CONTROLLER TIMER (SEAT AND PARK OPC)	1
11	D11090500AA.9	PIGTAIL ASSEMBLY MOTOR ENCODER	1
12	D82500220.9	SCREW M6X1.00X15-8.8 HEX HEAD	2
13	D85500040.9	WASHER M6 FLAT	6
14	D83500220.9	NUT M6X1.00-5 HEX	8
15	D10034950.9	SCREW M6X1.00X20-6.6 HEX HEAD	4
16	D10392470.9	SCREW M6 CROSS RECESSED	4
17	D88400040.9	PIN 3.2X25.0 COTTER	1

TABLE-66
COVER CHARGER SUBASSEMBLY

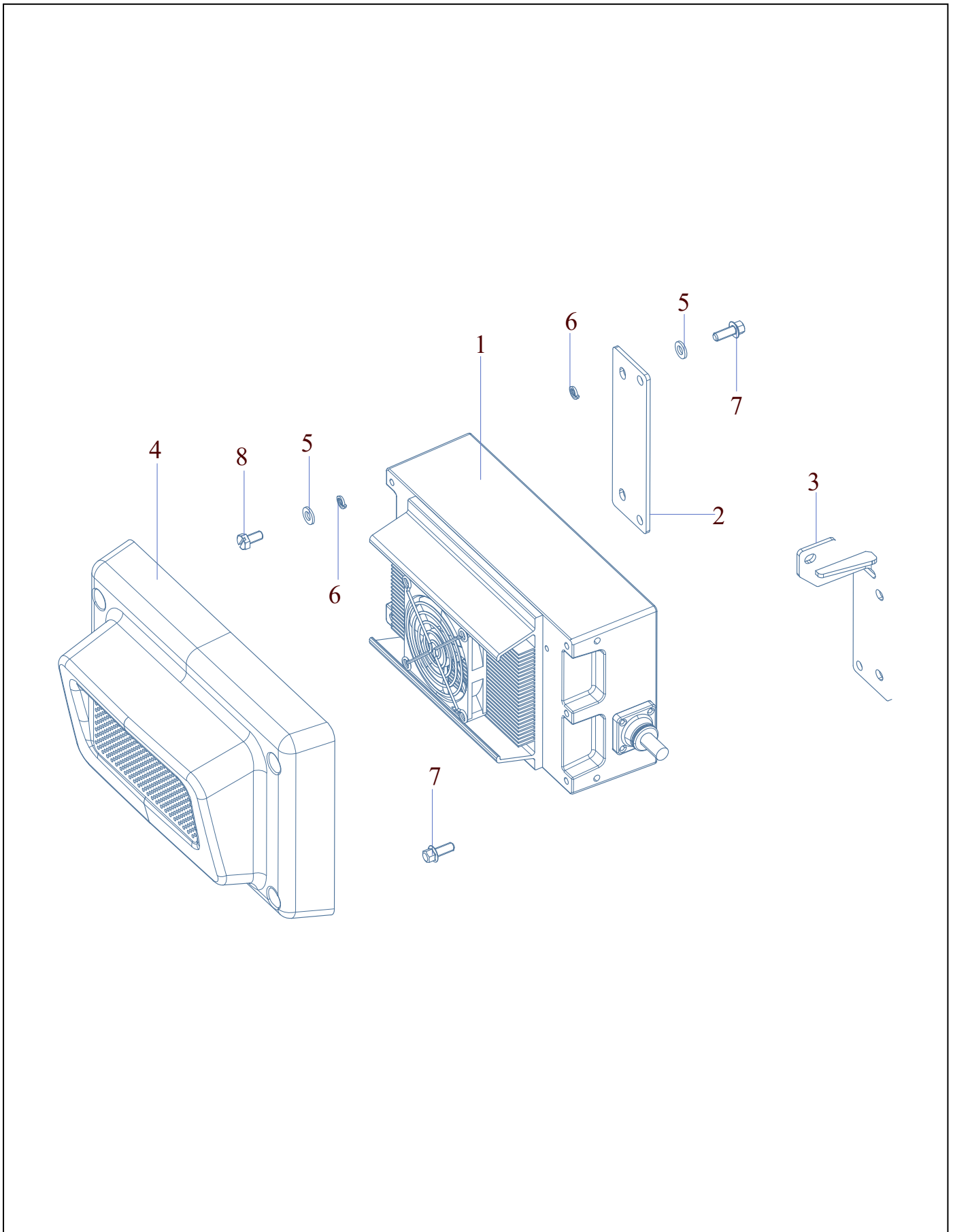


TABLE-66
COVER CHARGER SUBASSEMBLY

Fig. No.	Part No.	Description	Qty
1	D10769700AB.9	CHARGER ASSEMBLY 3.3KW	1
2	D11014100AA.9	PLATE CHARGER MOUNTING FRONT	1
3	D11037910AA.9	BRACKET ASSEMBLY CHARGER MOUNTING REAR	1
4	D11016090AA.9	COVER CHARGER ASSEMBLY	1
5	D85500040.9	WASHER M6 FLAT	11
6	D86500040.9	WASHER M6 SPRING LOCK	8
7	D82501030.9	SCREW M6X1.0X16-6.6 HEX HEAD FLANGED	8
8	D82500770.9	SCREW M6X1.00X12-6.6 HEX HEAD SLOTTED	4

TABLE-67
HARNESS SUBASSEMBLY COMPACT ELECTRIC (USA)

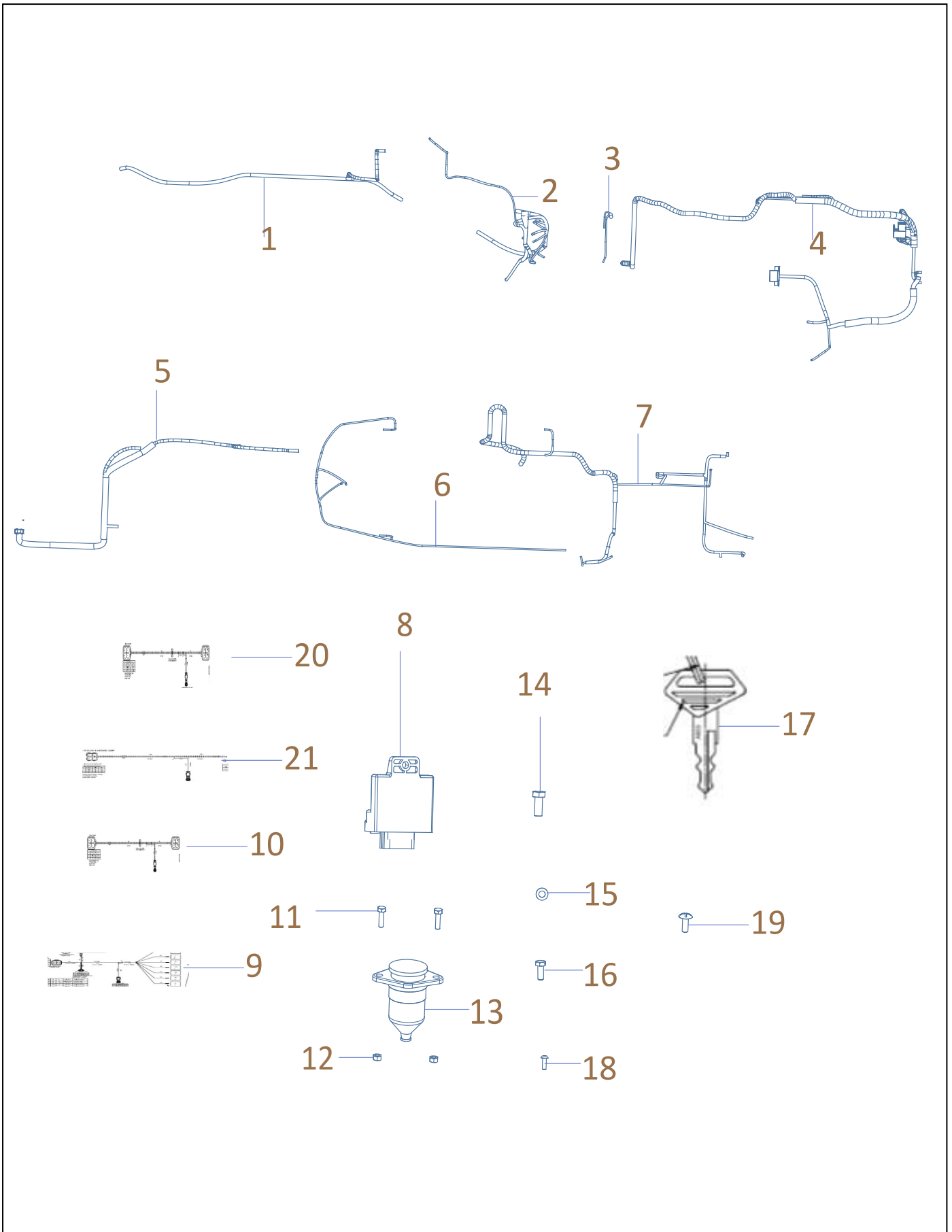


TABLE-67
HARNESS SUBASSEMBLY COMPACT ELECTRIC (USA)

Fig. No.	Part No.	Description	Qty
1	D10789950AE.9	HARNESS ASSEMBLY AUXILIARY BATTERY	1
2	D10822250AD.9	HARNESS ASSEMBLY INSTRUMENT PANEL	1
3	D10789900.9	HARNESS ASSEMBLY AUXILIARY BATTERY PIGTAIL	1
4	D10822240AD.9	HARNESS ASSEMBLY MAIN	1
5	D10789890AD.9	CABLE POWER ASSEMBLY ELECTRONIC BOX TO CHARGER	1
6	D10822260AC.9	HARNESS ASSEMBLY PROJECTOR LAMP	1
7	D10822230AD.9	HARNESS ASSEMBLY INSTRUMENT PANEL TO RUNNING BOARD	1
8	D10605760.9	FLASHER ASSEMBLY INDICATOR LIGHT (USA)	1
9	D11076370AA.9	HARNESS ASSEMBLY TRAILER SOCKET	1
10	D10605800.9	HARNESS ASSEMBLY FENDER LH	1
11	D10034950.9	SCREW M6X1.00X20-6.6 HEX HEAD	2
12	D83500220.9	NUT M6X1.00-5 HEX	2
13	D10497580.9	SOCKET ASSEMBLY TRAILER ELECTRICAL (7 PIN)	1
14	D82500040.9	SCREW M8X1.25X20-8.8 HEX HEAD	1
15	D85500040.9	WASHER M6 FLAT	3
16	D82500220.9	SCREW M6X1.00X15-8.8 HEX HEAD	3
17	D10506920.9	KEY IGNITION LOCK FARMTRAC	1
18	D82500670.9	SCREW 3.5X16 PAN HEAD TAPPING (ISO 1481)	2
19	D82501190.9	SCREW M6X1.0X16 TRUSS HEAD CROSS SLOTTED	2
20	D10605810.9	HARNESS ASSEMBLY FENDER RH	1
21	D10606100AB.9	HARNESS PLOUGH LAMP AND HAZARD LAMP	1

TABLE-69
SOCKET NORMAL CHARGING ASSEMBLY EU

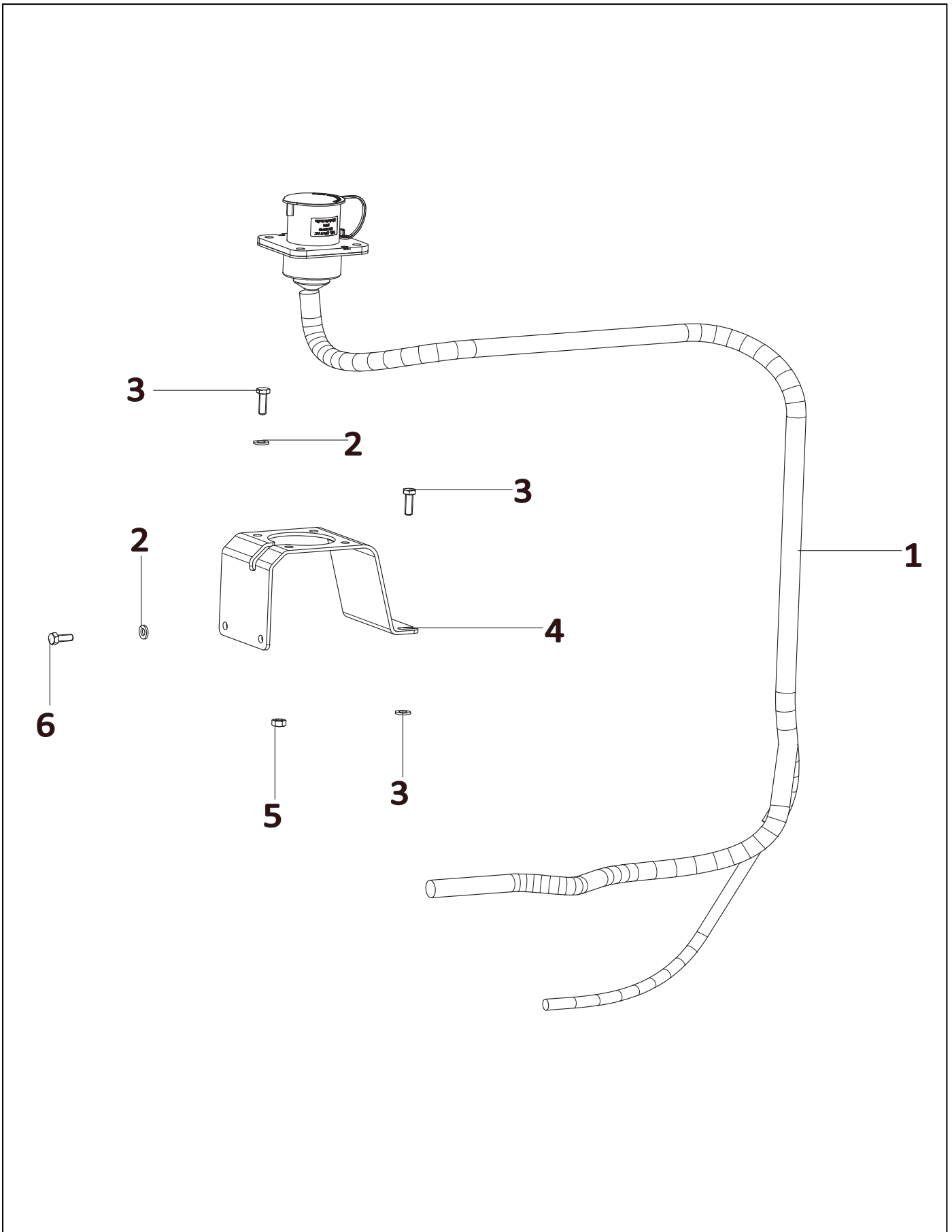


TABLE-69
SOCKET NORMAL CHARGING ASSEMBLY EU

Fig. No.	Part No.	Description	Qty
1	D10789880AB.9	HARNESS ASSEMBLY CHARGING SOCKET	1
2	D85500040.9	WASHER M6 FLAT	8
3	D81500490.9	BOLT M6X1.0X20-6G HEX HEAD	6
4	D10793050.9	BRACKET MOUNTING CHARGING PLUG HOOD FRONT	1
5	D83500220.9	NUT M6X1.00-5 HEX	6
6	D82500220.9	SCREW M6X1.00X15-8.8 HEX HEAD	2

TABLE-70
LIGHT REAR SUB ASSEMBLY(USA)

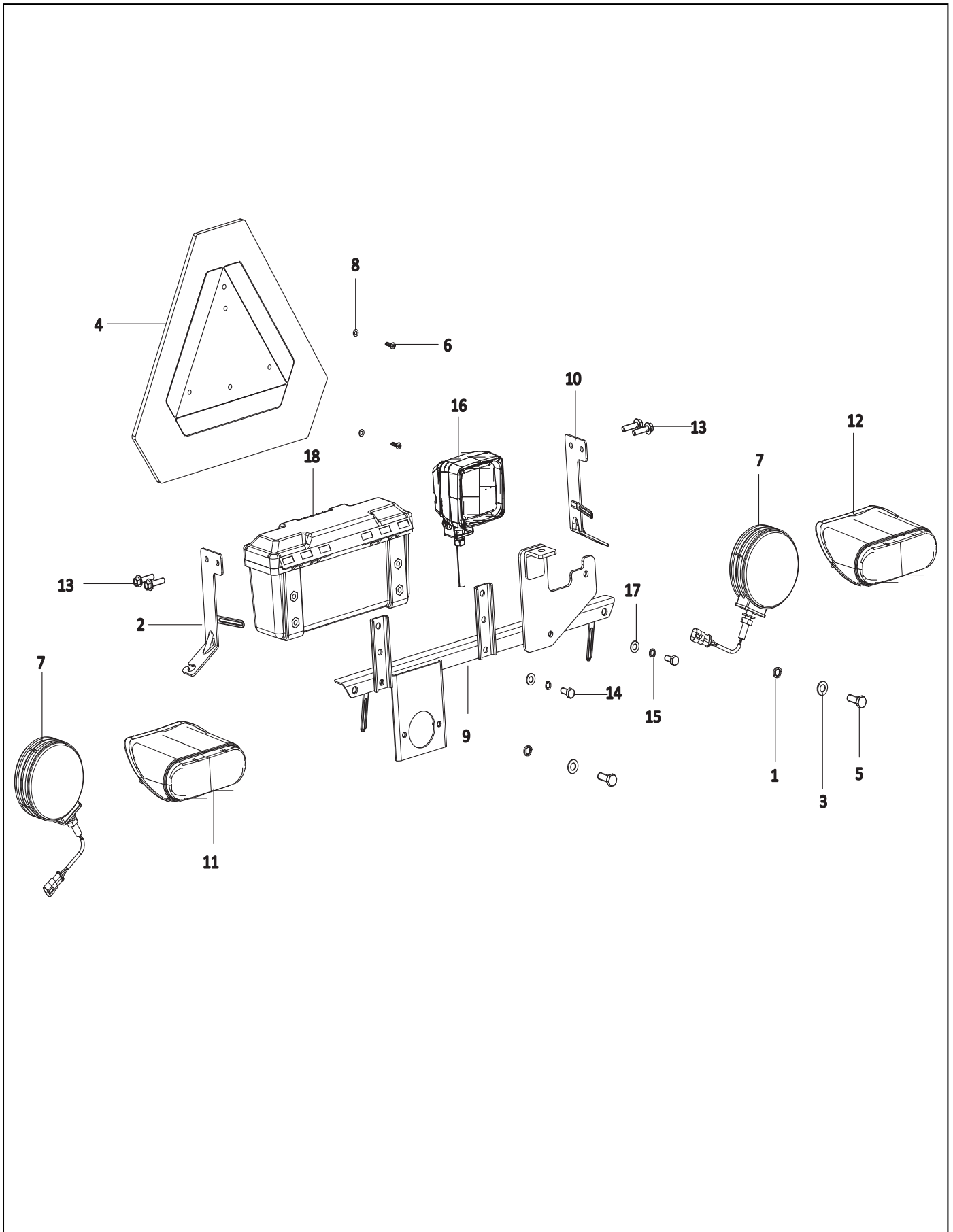


TABLE-70
LIGHT REAR SUB ASSEMBLY(USA)

Fig. No.	Part No.	Description	Qty
1	D86500050.9	WASHER M10 SPRING LOCK	2
2	D10578420.9	BRACKET REAR LIGHT MOUNTING ROPS LH	1
3	D85500140.9	WASHER M10 FLAT	2
4	D10511460.9	EMBLEM SLOW MOVING VEHICLE	1
5	D81500060.9	BOLT M10X1.50X30-8.8 HEX HEAD	2
6	D10216680.9	SCREW M5X0.80X20 CROSS RECESSED PAN HEAD	2
7	D10601250.9	LAMP ASSEMBLY HAZARD	2
8	D85500090.9	WASHER M5 FLAT	2
9	D11608510AA.9	BRACKET ASSEMBLY SUPPORT FENDER (WITH ROPS)	1
10	D10602010.9	BRACKET REAR LIGHT MOUNTING ROPS RH	1
11	D10601220.9	LAMP ASSEMBLY FENDER REAR LH (LED)	1
12	D10601210.9	LAMP ASSEMBLY FENDER REAR RH (LED)	1
13	D81502240.9	BOLT M8X1.25X30-10.9 HEX HEAD FLANGED	4
14	D81500110.9	BOLT M8X1.25X20-8.8 HEX HEAD	2
15	D86500030.9	WASHER M8 SPRING LOCK	2
16	D10535780.9	LAMP ASSEMBLY PLOUGH	1
17	D85500050.9	WASHER M8 FLAT	2
18	D10568790AC.9	BOX ASSEMBLY TOOL COMPACT (PLASTIC)	1

TABLE-71
MOTOR AND HOUSING SUBASSEMBLY

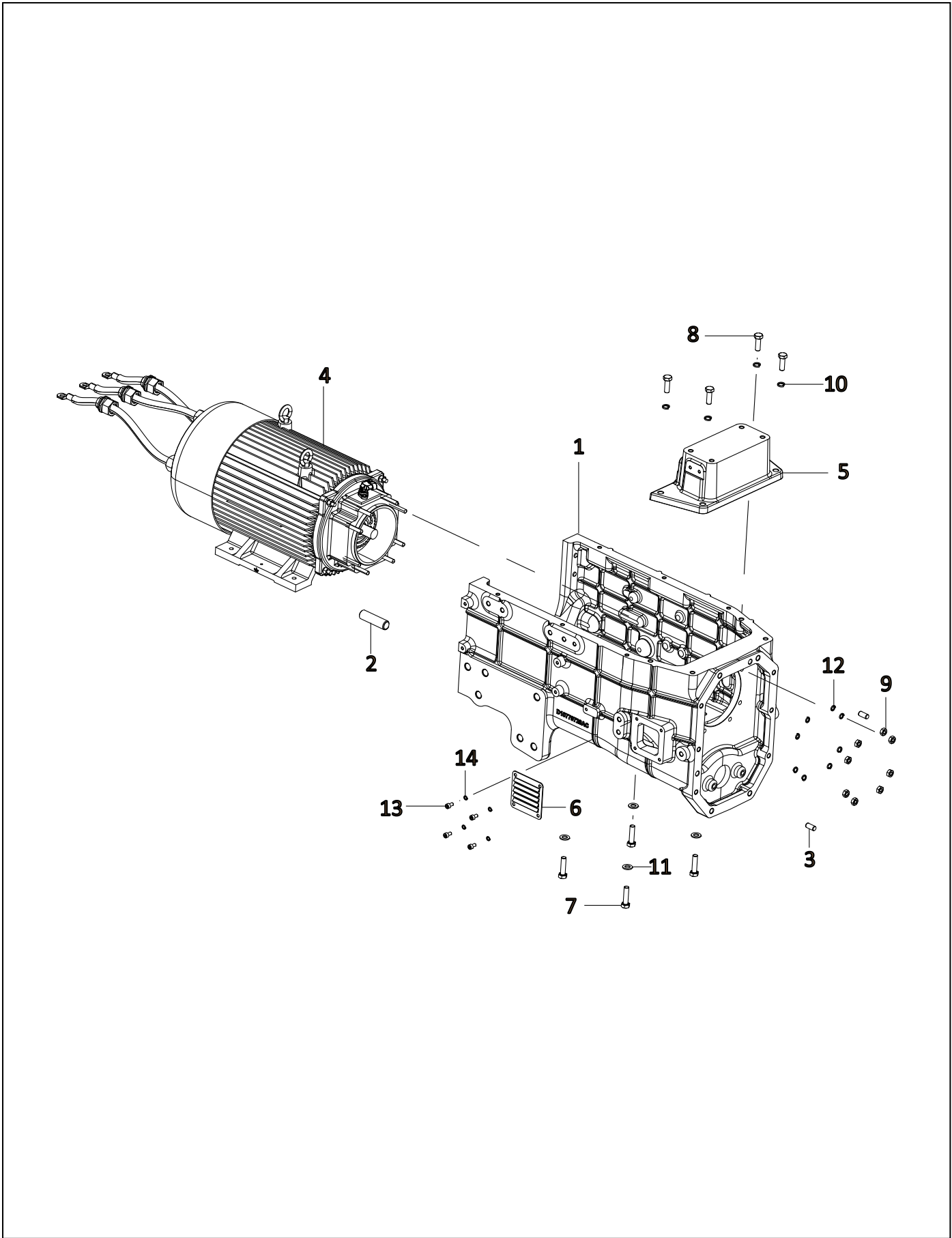


TABLE-71
MOTOR AND HOUSING SUBASSEMBLY

Fig. No.	Part No.	Description	Qty
1	D10779710AD.9	HOUSING MOTOR MOUNTING	1
2	D10010000.9	STUD B M20X40.5-8.8P FRONT AXLE SUPPORT	4
3	D87500030.9	PIN 10X22 DOWEL	2
4	D10774180AB.9	MOTOR ASSEMBLY POWER TRANSMISSION 15KW	1
4A	D12124260AA.9	MOTOR ASSEMBLY 15KW, GLAND SEAL (U2NM0099000700)	1
4B	D12124390AA.9	MOTOR ASSEMBLY 15KW, FAN FIGURE GUARD (REVANXRFANGRD)	1
4C	D12124480AA.9	MOTOR ASSEMBLY 15KW, FAN MOUNTING BOLTS (REVANXRFANSR44)	1
4D	D12124510AA.9	MOTOR ASSEMBLY 15KW, PLASTIC FAN COVER (D1322099180100)	1
4E	D12115240AA.9	MOTOR ASSEMBLY 15KW,FAN(M000000EV005FC)	1
4F	D12115290AA.9	MOTOR ASSEMBLY 15KW,ENCODER(REVA0009210168)	1
4G	D12115300AA.9	MOTOR ASSEMBLY 15KW,COVER NDE(C3322098180100)	1
4H	D12115310AA.9	MOTOR ASSEMBLY 15KW,COVER DE(C3322096180200)	1
4I	D12115320AA.9	MOTOR 15KW,ROTOR ASSEMBLY(M000000EV005RA00)	1
5	D10793550.9	COVER HOUSING MOTOR MOUNTING	1
6	D10805630.9	COVER MOTOR HOUSING AIR EXHAUST BATTERY BOX	1
7	D81500010.9	BOLT M10X1.50X40-8.8 HEX HEAD	4
8	D81500060.9	BOLT M10X1.50X30-8.8 HEX HEAD	4
9	D83500060.9	NUT M8X1.25-6 HEX	8
10	D86500050.9	WASHER M10 SPRING LOCK	8
11	D85500140.9	WASHER M10 FLAT	4
12	D86500030.9	WASHER M8 SPRING LOCK	8
13	D82500770.9	SCREW M6X1.00X12-6.6 HEX HEAD SLOTTED	4
14	D86500040.9	WASHER M6 SPRING LOCK	4

TABLE-72
PLATE AND GUIDE RAIL ASSEMBLY BATTERY BOX

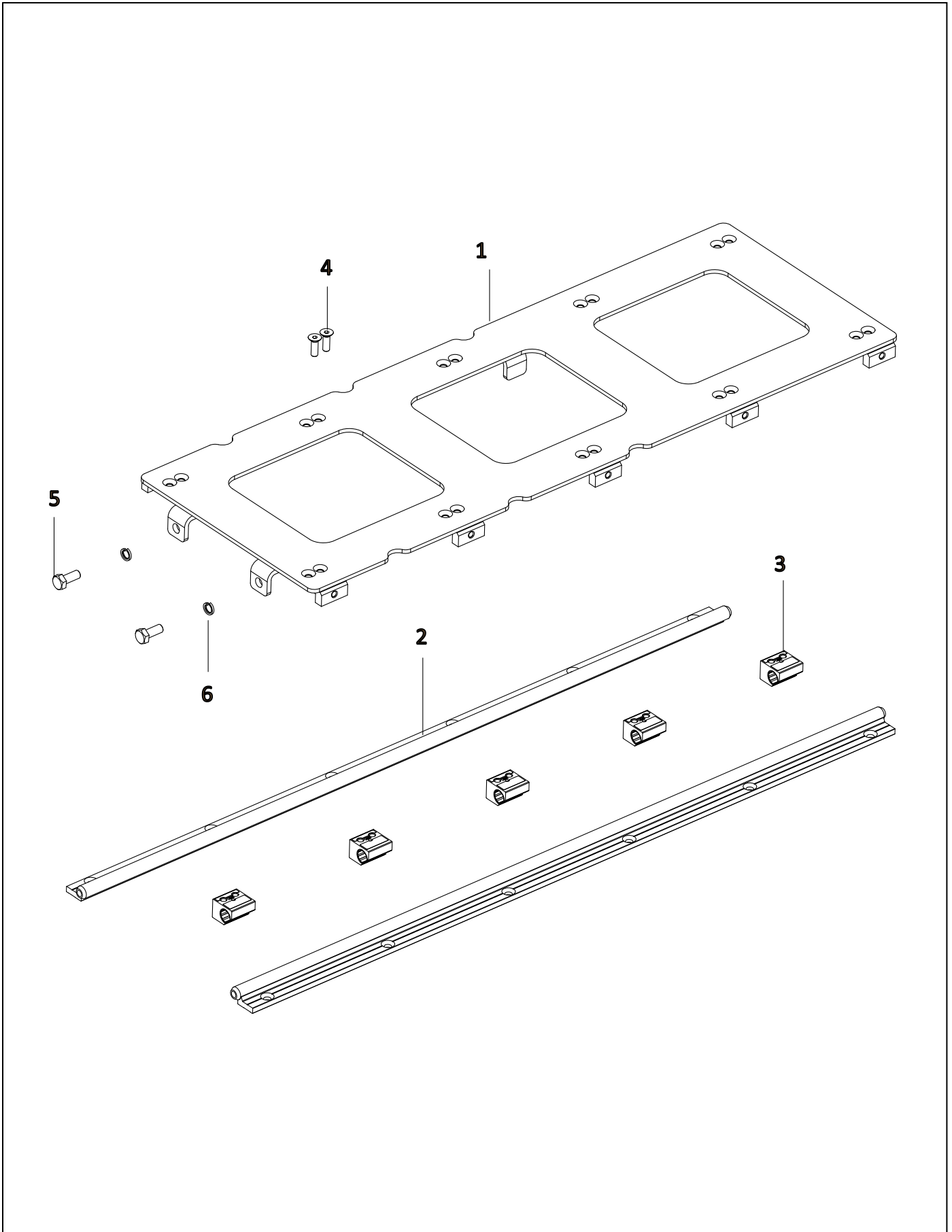


TABLE-72
PLATE AND GUIDE RAIL ASSEMBLY BATTERY BOX

Fig. No.	Part No.	Description	Qty
1	D10793500AB.9	PLATE ASSEMBLY BATTERY BOX MOUNTING	1
2	D10793530.9	GUIDE RAIL (IGUS)	2
3	D10793540AB.9	GUIDE BLOCK (IGUS)	10
4	D82500760.9	SCREW M8X1.25X25-12.9 COUNTERSUNK HEAD	32
5	D81500280.9	BOLT M10X1.50X25-6G HEX HEAD (CARRARO PART NO 127922)	2
6	D86500050.9	WASHER M10 SPRING LOCK	2

TABLE-73
HOOD FRONT SUBASSEMBLY

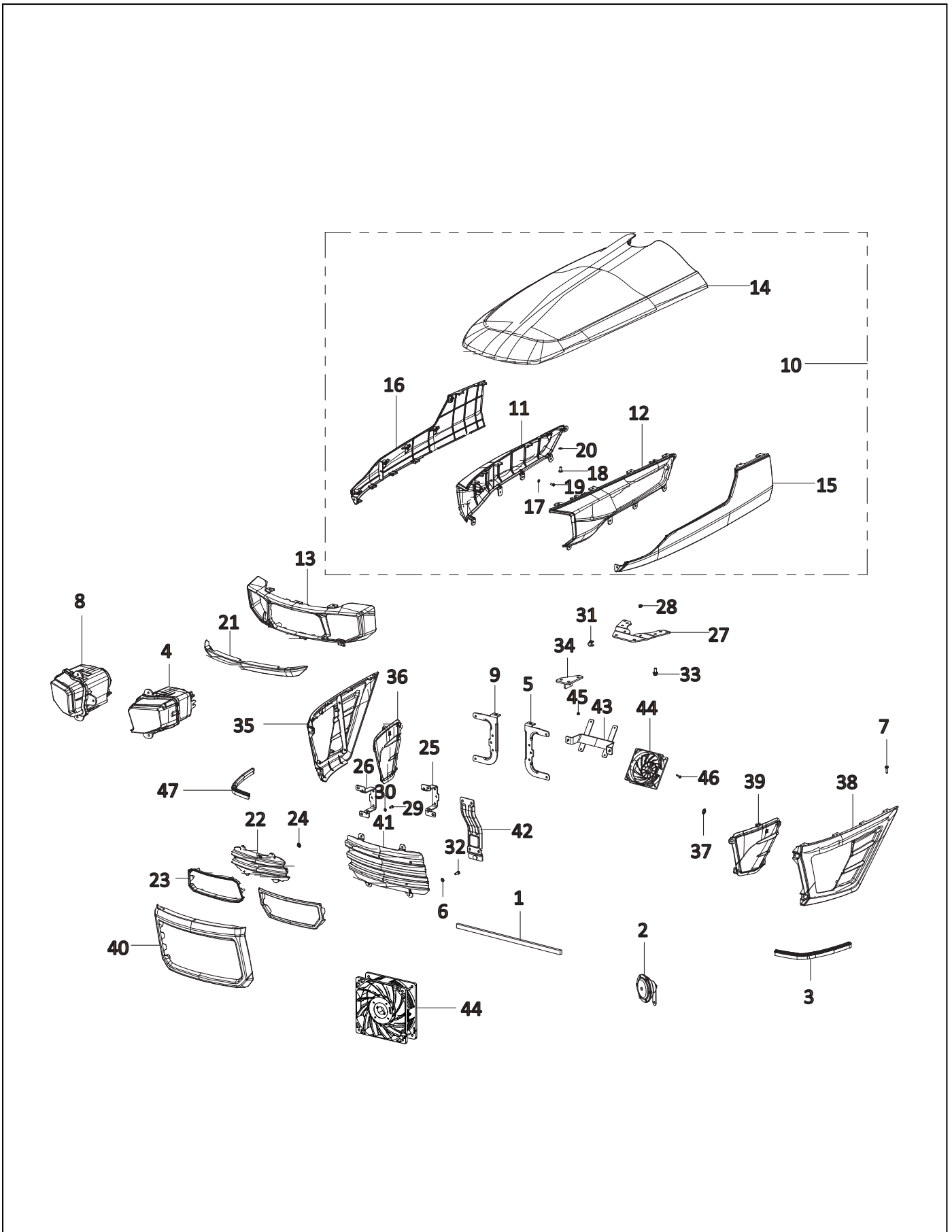


TABLE-73
HOOD FRONT SUBASSEMBLY

Fig. No.	Part No.	Description	Qty
1	D10573740.9	FOAM SEALING HEAD LAMP	2
2	D10028020.9	HORN AND BRACKET ASSEMBLY	1
3	D10807560.9	BEADING FRONT HOOD LOWER LH	1
4	D10570590.9	HEAD LAMP ASSEMBLY LHD (LH)	1
5	D10575640.9	BRACKET HEAD LAMP MOUNTING FRAME LH	1
6	D85500040.9	WASHER M6 FLAT	50
7	D10034950.9	SCREW M6X1.00X20-6.6 HEX HEAD	17
8	D10570600.9	HEAD LAMP ASSEMBLY LHD (RH)	1
9	D10575650.9	BRACKET HEAD LAMP MOUNTING FRAME RH	1
10	D10563880.9	HOOD TOP FRONT ASSEMBLY	1
11	D10563930.9	PANEL CLADDING HOOD SIDE RH	1
12	D10563920.9	PANEL CLADDING HOOD SIDE LH	1
13	D10563950.9	FRAME HEAD LAMP	1
14	D10563890.9	PANEL HOOD TOP	1
15	D10563900.9	PANEL HOOD SIDE LH	1
16	D10563910.9	PANEL HOOD SIDE RH	1
17	D10777370.9	WASHER M5 HOOD TOP FRONT	19
18	D10392470.9	SCREW M6 CROSS RECESSED	11
19	D82501160.9	SCREW M5X0.80X10 CROSS RECESSED PAN HEAD	19
20	D10777380.9	WASHER M6 HOOD TOP FRONT	11
21	D10563940.9	PANEL HOOD FRONT MIDDLE	1
22	D10559820.9	MESH TOP FRONT	1
23	D11033370AA.9	BEZEL HOOD FRONT LOWER CHROME	1
24	D85500550.9	WASHER STAR LOCK 6.0 DIA	6
25	D10575660.9	BRACKET HEAD LAMP MOUNTING FRAME LOWER LH	1
26	D10575670.9	BRACKET HEAD LAMP MOUNTING FRAME LOWER RH	1
27	D10662370.9	BRACKET HINGE TOP FRONT HOOD	1
28	D83500220.9	NUT M6X1.00-5 HEX	13
29	D82500030.9	SCREW M5X0.80X10-6.6 HEX HEAD	4
30	D85500090.9	WASHER M5 FLAT	4
31	D10568750.9	CLAMP WIRING HARNESS	6
32	D82500220.9	SCREW M6X1.00X15-8.8 HEX HEAD	22
33	D81501580.9	BOLT M8X1.25X16 HEX HEAD FLANGED	7
34	D10659950.9	BRACKET ASSEMBLY GAS STRUT MOUNTING FRONT	1
35	D11201370AA.9	PANEL HOOD FRONT LOWER SIDE RH	1
36	D11202230AA.9	MESH SIDE RH	1
37	D85500560.9	WASHER STAR LOCK 10.0 DIA	10
38	D11201390AA.9	PANEL HOOD FRONT LOWER SIDE LH	1
39	D11202220AA.9	MESH SIDE LH	1
40	D11201400AA.9	PANEL HOOD FRONT LOWER	1

TABLE-73
HOOD FRONT SUBASSEMBLY

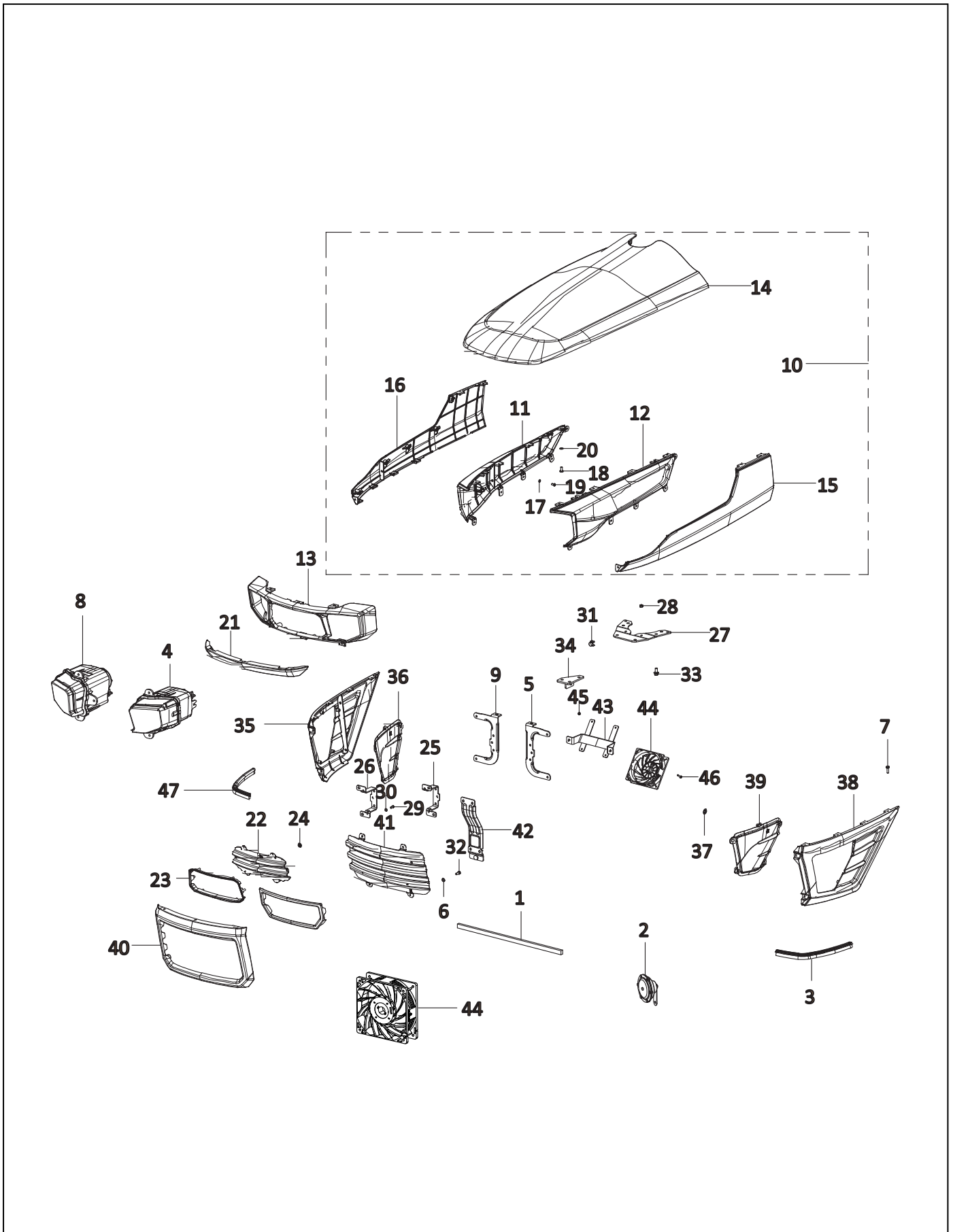


TABLE-73
HOOD FRONT SUBASSEMBLY

Fig. No.	Part No.	Description	Qty
41	D11035570AA.9	MESH LOWER FRONT	1
42	D10806980.9	BRACKET ASSEMBLY PIN MOUNTING LATCH HOOD	1
43	D10813040.9	BRACKET ASSEMBLY AIR COOLING FAN MOUNTING	1
44	D10800870BA.9	FAN ASSEMBLY AIR COOLING	1
45	D10017000.9	NUT M4X0.70 NYLOCK	4
46	D81502010.9	BOLT M4X20-6.8 HEX HEAD	4
47	D10807570.9	BEADING FRONT HOOD LOWER RH	1
48	D10563960.9	BEZEL HOOD FRONT CHROME	1

TABLE-74
FRAME HOOD FRONT ASSEMBLY

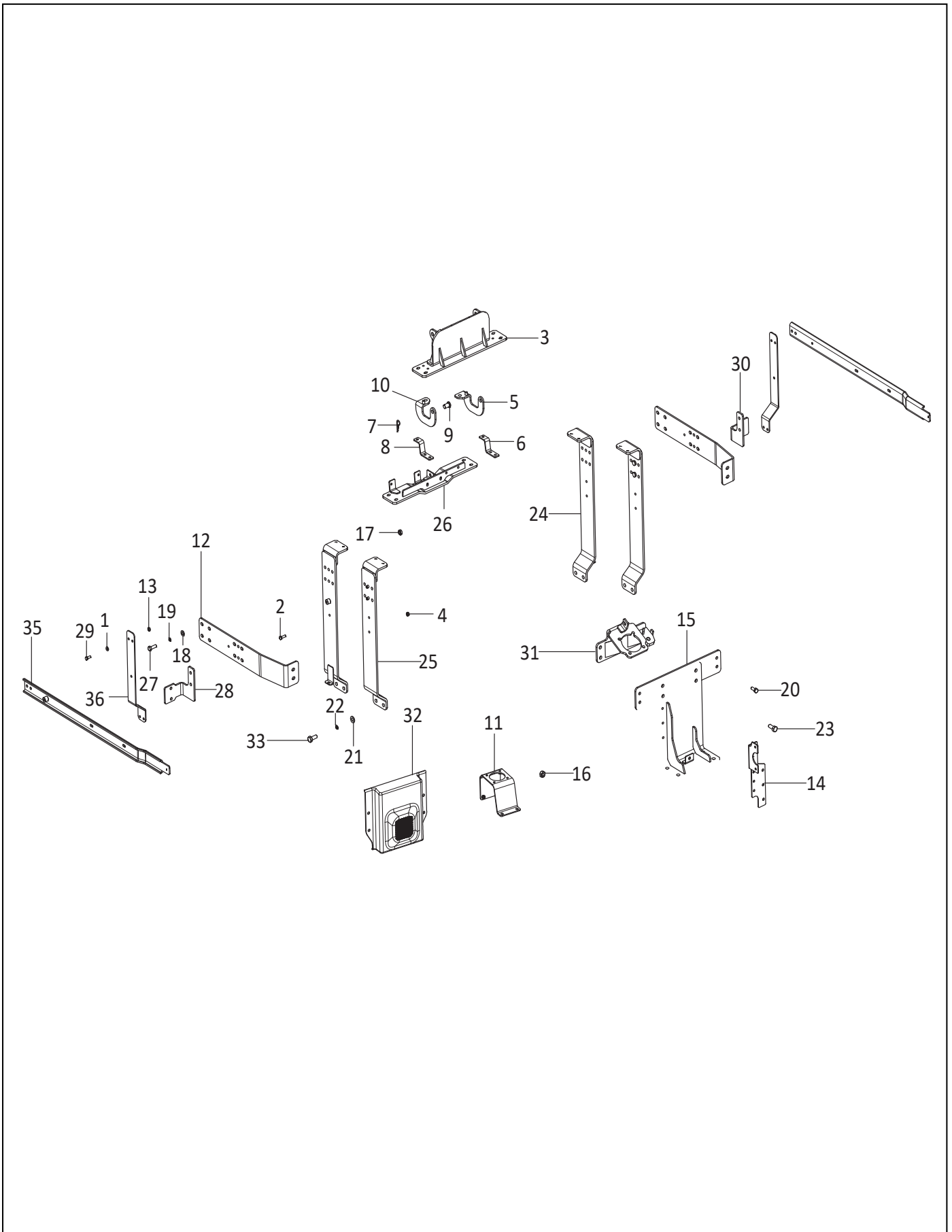


TABLE-74
FRAME HOOD FRONT ASSEMBLY

Fig. No.	Part No.	Description	Qty
1	D85500040.9	WASHER M6 FLAT	24
2	D81500490.9	BOLT M6X1.0X20-6G HEX HEAD	10
3	D10788670.9	BRACKET ASSEMBLY HINGE HOOD FRONT	1
4	D83500220.9	NUT M6X1.00-5 HEX	16
5	D10581060.9	BRACKET RH HINGE FRONT HOOD	1
6	D10798630.9	BRACKET SUPPORT FLANGE HOOD REAR RH	1
7	D10565520.9	PIN SPRING RETAINING 2X40	2
8	D10796960.9	BRACKET SUPPORT FLANGE HOOD REAR LH	1
9	D10560960.9	PIN HINGE ASSEMBLY FRONT HOOD	2
10	D10581070.9	BRACKET LH HINGE FRONT HOOD	1
11	D10793050.9	BRACKET MOUNTING CHARGING PLUG HOOD FRONT	1
12	D10788790.9	BRACKET SUPPORT FRAME ASSEMBLY HOOD REAR	2
13	D83500070.9	NUT M6X1.00-6 HEX	20
14	D10797040.9	BRACKET SUPPORT STEERING COLUMN AND BUZZER MOUNTING	1
15	D10788800.9	BRACKET ASSEMBLY STEERING COLUMN MOUNTING	1
16	D83500090.9	NUT M10X1.50-8 HEX	4
17	D83500060.9	NUT M8X1.25-6 HEX	29
18	D85500050.9	WASHER M8 FLAT	28
19	D86500030.9	WASHER M8 SPRING LOCK	28
20	D81500110.9	BOLT M8X1.25X20-8.8 HEX HEAD	4
21	D85500140.9	WASHER M10 FLAT	16
22	D86500050.9	WASHER M10 SPRING LOCK	16
23	D81502150.9	BOLT M10X1.50X25-10.9 HEX HEAD	4
24	D10788660.9	FRAME ASSEMBLY HOOD FRONT	2
25	D10788630.9	FRAME ASSEMBLY HOOD REAR	2
26	D10788710AC.9	BRACKET ASSEMBLY GAS STRUT MOUNTING	1
27	D81501470.9	BOLT M8X1.25X25-10.9 HEX HEAD	24
28	D10805430.9	BRACKET MIRROR MOUNTING LH	1
29	D82500220.9	SCREW M6X1.00X15-8.8 HEX HEAD	12
30	D10805440.9	BRACKET MIRROR MOUNTING RH	1
31	D10793570.9	BRACKET ASSEMBLY STEERING MOUNTING	1
32	D11016090AA.9	COVER CHARGER ASSEMBLY	1
33	D81503300.9	BOLT M10X1.50X28-10.9 HEX HEAD	12
35	D10790610.9	BRACKET GUIDE SUPPORT	2
36	D10790630.9	BRACKET SUPPORT SIDE COVER FRONT	2

TABLE-75
LATCH ASSEMBLY HOOD FRONT

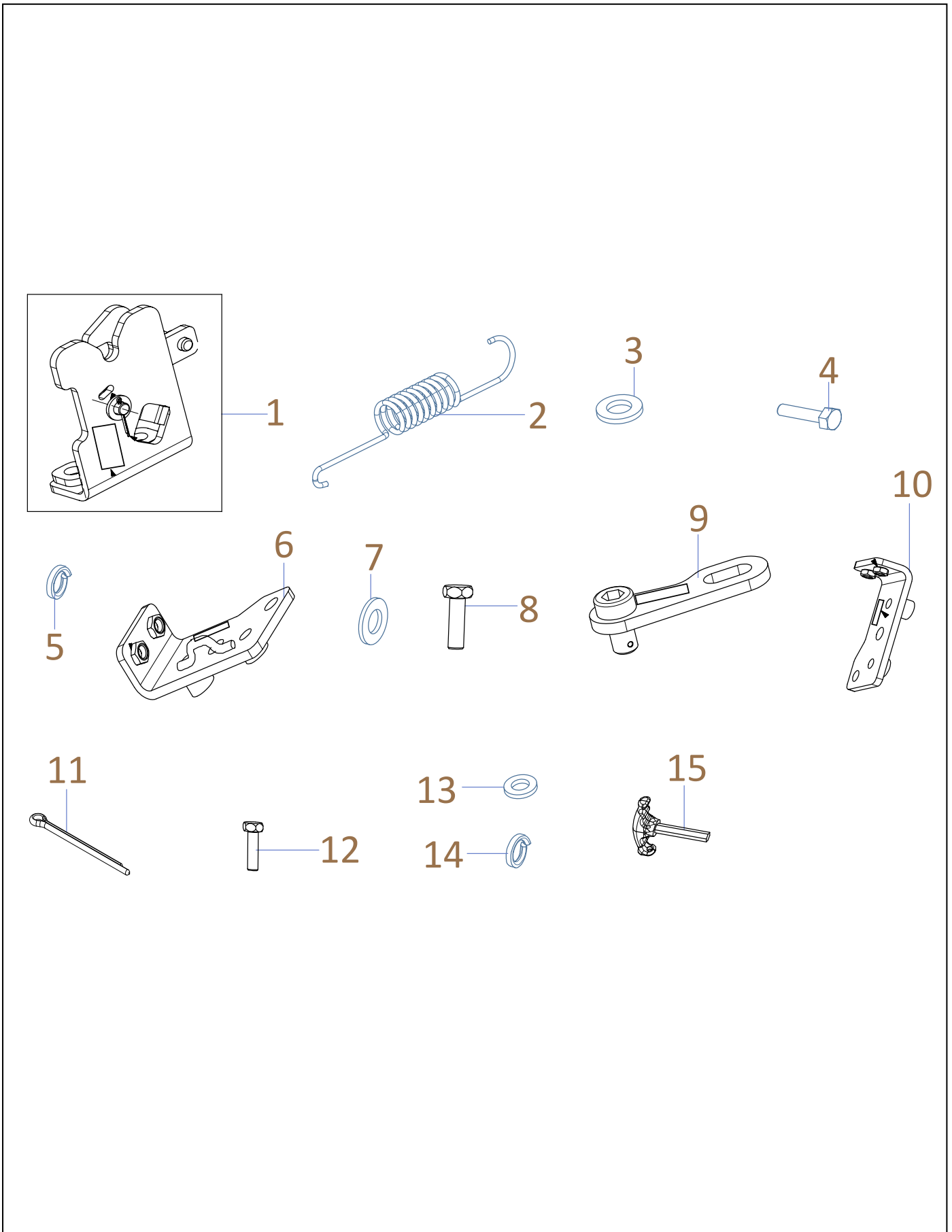


TABLE-75
LATCH ASSEMBLY HOOD FRONT

Fig. No.	Part No.	Description	Qty
1	D10807010AB.9	LATCH ASSEMBLY HOOD	1
2	D10560880.9	SPRING LATCH HOOD	1
3	D10034590.9	WASHER M8 FLAT	1
4	D81500310.9	SCREW M8X1.25X30-8.8 HEX HEAD	2
5	D86500030.9	WASHER M8 SPRING LOCK	4
6	D10933800AA.9	BRACKET ASSEMBLY FRONT SUPPORT LH	1
7	D85500050.9	WASHER M8 FLAT	4
8	D82500040.9	SCREW M8X1.25X20-8.8 HEX HEAD	2
9	D10913330AA.9	PIN ASSEMBLY LATCH ARM	1
10	D10933780AA.9	BRACKET ASSEMBLY FRONT SUPPORT RH	1
11	D88400030.9	PIN 2.5X25.0 COTTER	2
12	D82500120.9	SCREW M6X1.00X20-6.6P HEX HEAD	4
13	D85500040.9	WASHER M6 FLAT	4
14	D86500040.9	WASHER M6 SPRING LOCK	4
15	D10790580AB.9	KEY ALLEN AND KNOB ASSEMBLY LATCH OPENING	1

TABLE-76
HOOD REAR SUB ASSEMBLY

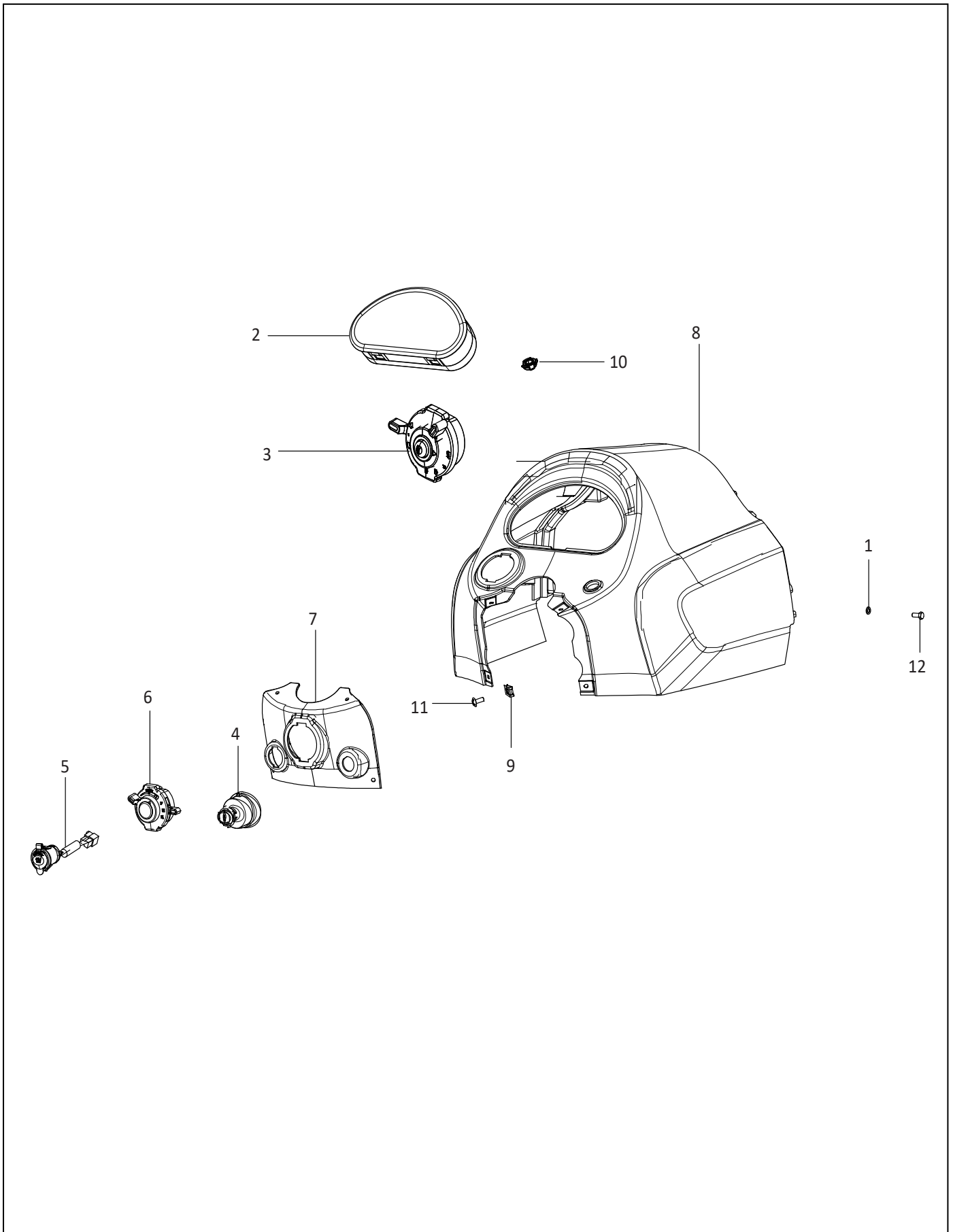


TABLE-76
HOOD REAR SUB ASSEMBLY

Fig. No.	Part No.	Description	Qty
1	D85500110.9	WASHER M6 FLAT	4
2	D10793930AC.9	CLUSTER ASSEMBLY INSTRUMENT (CAN TOPOLOGY)	1
3	D10560720.9	SWITCH ASSEMBLY COMBINATION	1
4	D10498410.9	SWITCH ASSEMBLY HEATER AND STARTER	1
5	D10590410.9	SOCKET MOBILE CHARGER ASSEMBLY	1
6	D10774250BB.9	SWITCH ASSEMBLY DIRECTION AND MODE COMBINATION	1
7	D10788780.9	PANEL HOOD REAR	1
8	D10788750AB.9	HOOD ASSEMBLY REAR	1
9	D10565480.9	CLIP NUT M6	4
10	D10723160.9	BUSH IGUS THROTTLE ROD	1
11	D82501190.9	SCREW M6X1.0X16 TRUSS HEAD CROSS SLOTTED	4
12	D82500220.9	SCREW M6X1.00X15-8.8 HEX HEAD	4

TABLE-77
STRUT BONNET OPENING ASSEMBLY

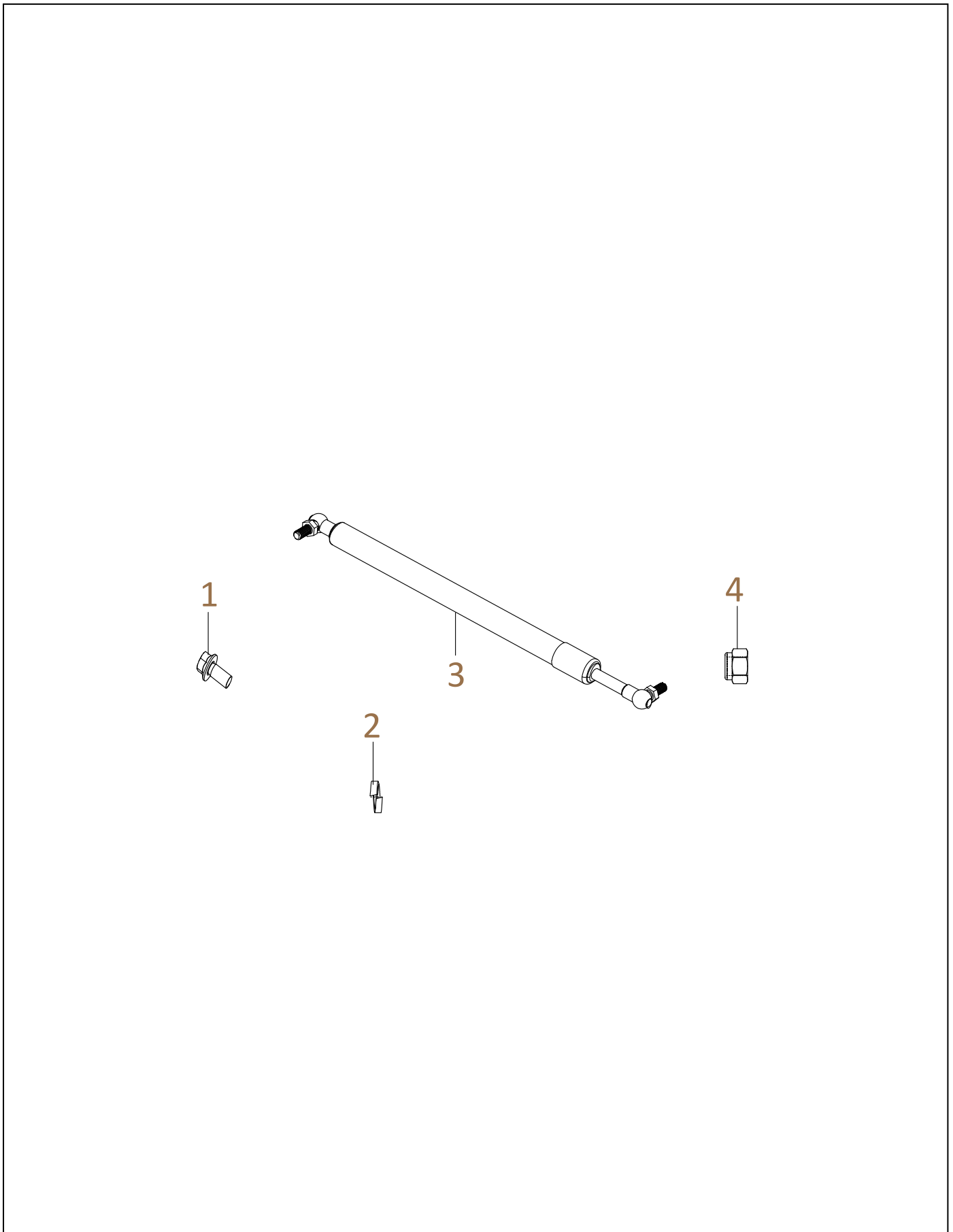


TABLE-77
STRUT BONNET OPENING ASSEMBLY

Fig. No.	Part No.	Description	Qty
1	D81501580.9	BOLT M8X1.25X16 HEX HEAD FLANGED	2
2	D86500030.9	WASHER M8 SPRING LOCK	2
3	D10656550.9	STRUT BONNET OPENING	1
4	D83500160.9	NUT M8X1.25 NYLOCK HEX	2

TABLE-78
FENDER SUBASSEMBLY

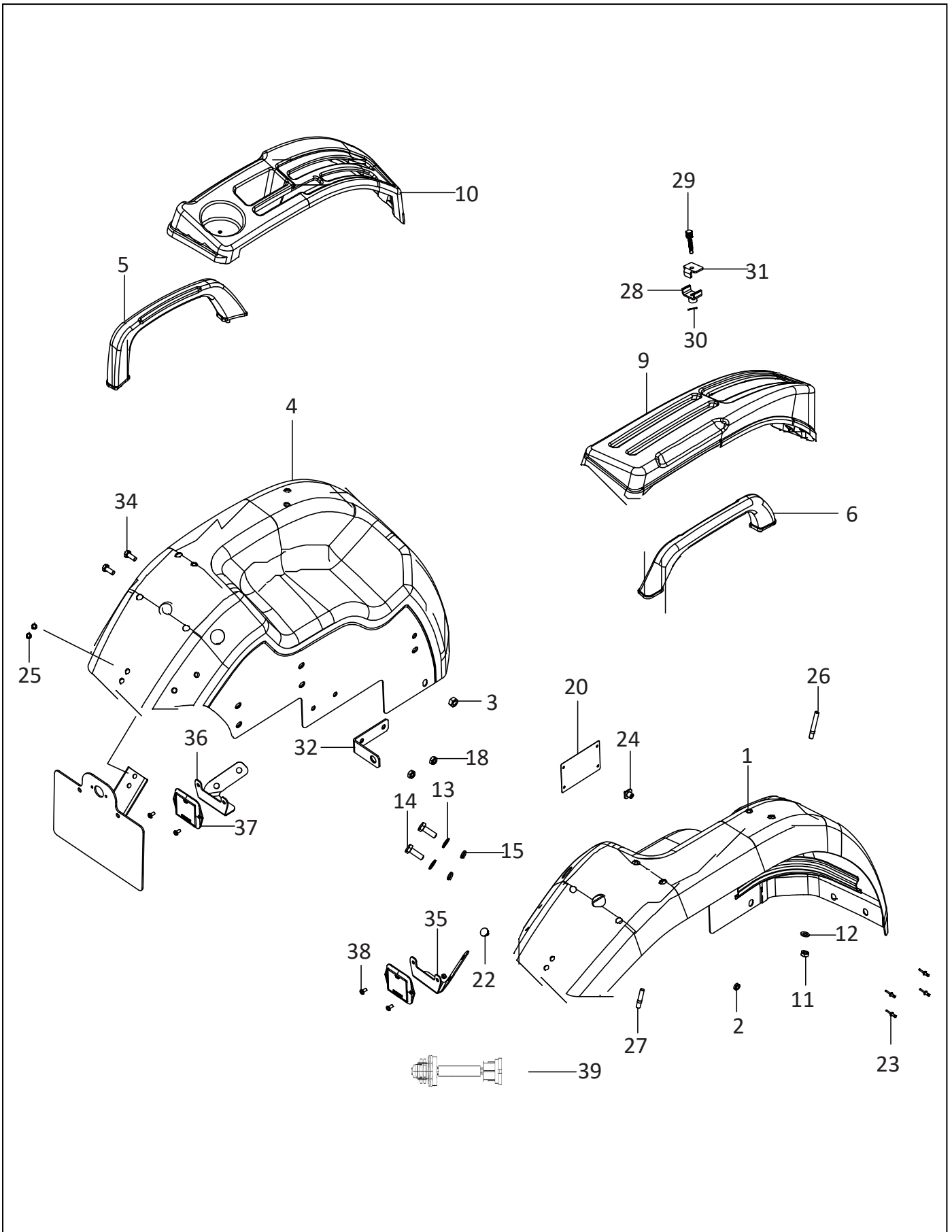


TABLE-78
FENDER SUBASSEMBLY

Fig. No.	Part No.	Description	Qty
1	D10565530AH.9	FENDER ASSEMBLY RH	1
2	D83500020.9	NUT M8X1.25-6 LOCK	2
3	D83500090.9	NUT M10X1.50-8 HEX	12
4	D10565620AE.9	FENDER ASSEMBLY LH	1
5	D10567570.9	HANDLE FENDER ASSEMBLY LH	1
6	D10567560.9	HANDLE FENDER ASSEMBLY RH	1
9	D11337230AA.9	CONSOLE RH GEAR SHIFT LEVER	1
10	D10561010.9	CONSOLE LH RANGE LEVER	1
11	D83500110.9	NUT M8X1.25-8 HEX	14
12	D85500050.9	WASHER M8 FLAT	18
13	D85500010.9	WASHER M10 FLAT	18
14	D81500480.9	BOLT M10X1.50X30-6.6 HEX HEAD	18
15	D86500090.9	WASHER M10 SPRING LOCK	10
18	D83500060.9	NUT M8X1.25-6 HEX	4
20	D10534070.9	PLATE DATA STATUTORY	1
22	D93100360.9	PLUG FENDER DIA 11.0	2
23	D10339690.9	RIVET 4X6.0MM (CLINCH TYPE)	4
24	D93100350.9	PLUG M10X1.5 SQUARE HEAD (DELPHINIUM BLUE)	2
25	D86500030.9	WASHER M8 SPRING LOCK	18
26	D84500160.9	STUD B M8X1.25X60-8.8	2
27	D84500170.9	STUD B M8X1.25X42-8.8	4
28	D10783770.9	PAD ASSEMBLY HYDRAULIC LIFT CONTROL LEVER LOWER STOPPER	2
29	D10668670.9	KNOB HYDRAULIC LIFT CONTROL LEVER STOP	2
30	D10000640.9	PIN 1/16"X0.50" COTTER	2
31	D10783800.9	PAD HYDRAULIC LIFT CONTROL LEVER UPPER STOPPER	2
32	D10664480.9	BRACKET ASSEMBLY HOLDING GEAR SHIFT SWITCH	1
34	D81500110.9	BOLT M8X1.25X20-8.8 HEX HEAD	2
35	D10663690.9	BRACKET REAR REFLECTOR RH	1
36	D10663680.9	BRACKET REAR REFLECTOR LH	1
37	D10554130.9	REFLECTOR REAR	2
38	D82501160.9	SCREW M5X0.80X10 CROSS RECESSED PAN HEAD	4
39	D10716760.9	SWITCH ASSEMBLY (NO TYPE)	1

TABLE-79
ROPS FOLDABLE SUBASSEMBLY COMPACT

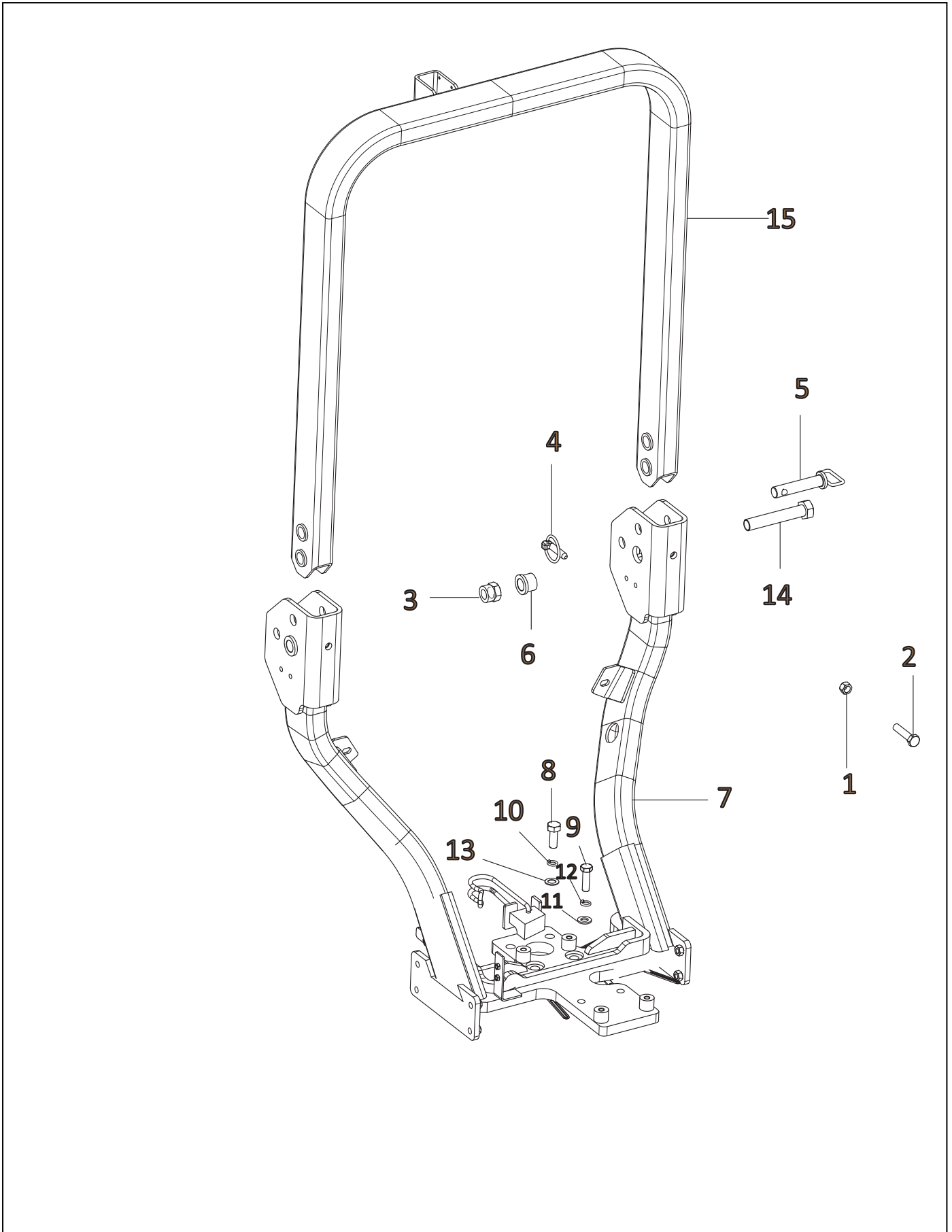


TABLE-79
ROPS FOLDABLE SUBASSEMBLY COMPACT

Fig. No.	Part No.	Description	Qty
1	D83500290.9	NUT M12X1.75 HEX	2
2	D81500170.9	BOLT M12X1.75X55-10.9 HEX HEAD	2
3	D83500670.9	NUT M20X2.50 HEX NYLOCK	2
4	D10014880.9	PIN AND RING ASSEMBLY LOWER LIFT LINK LYNCH	2
5	D10549890.9	PIN ROPS LOCKING	2
6	D10549880.9	BUSH COLLAR ROPS FRAME	2
7	D11449580AA.9	BASE ASSEMBLY ROPS FOLDABLE	1
8	D81500740.9	BOLT M14X2.00X35-10.9 HEX HEAD LOCK	4
9	D81501550.9	BOLT M12X1.75X40-10.9 HEX HEAD	2
10	D86500070.9	WASHER M14 SPRING LOCK	4
11	D85500060.9	WASHER M12 FLAT	2
12	D86500020.9	WASHER M12 SPRING LOCK	2
13	D85500510.9	WASHER M14X1.5 FLAT	4
14	D81503130.9	BOLT M20X2.5X115-8.8 HEX HEAD	2
15	D10979750AB.9	FRAME ASSEMBLY ROPS FOLDABLE COMPACT	1

TABLE-80
BOARD RUNNING RH AND LH SUBASSEMBLY

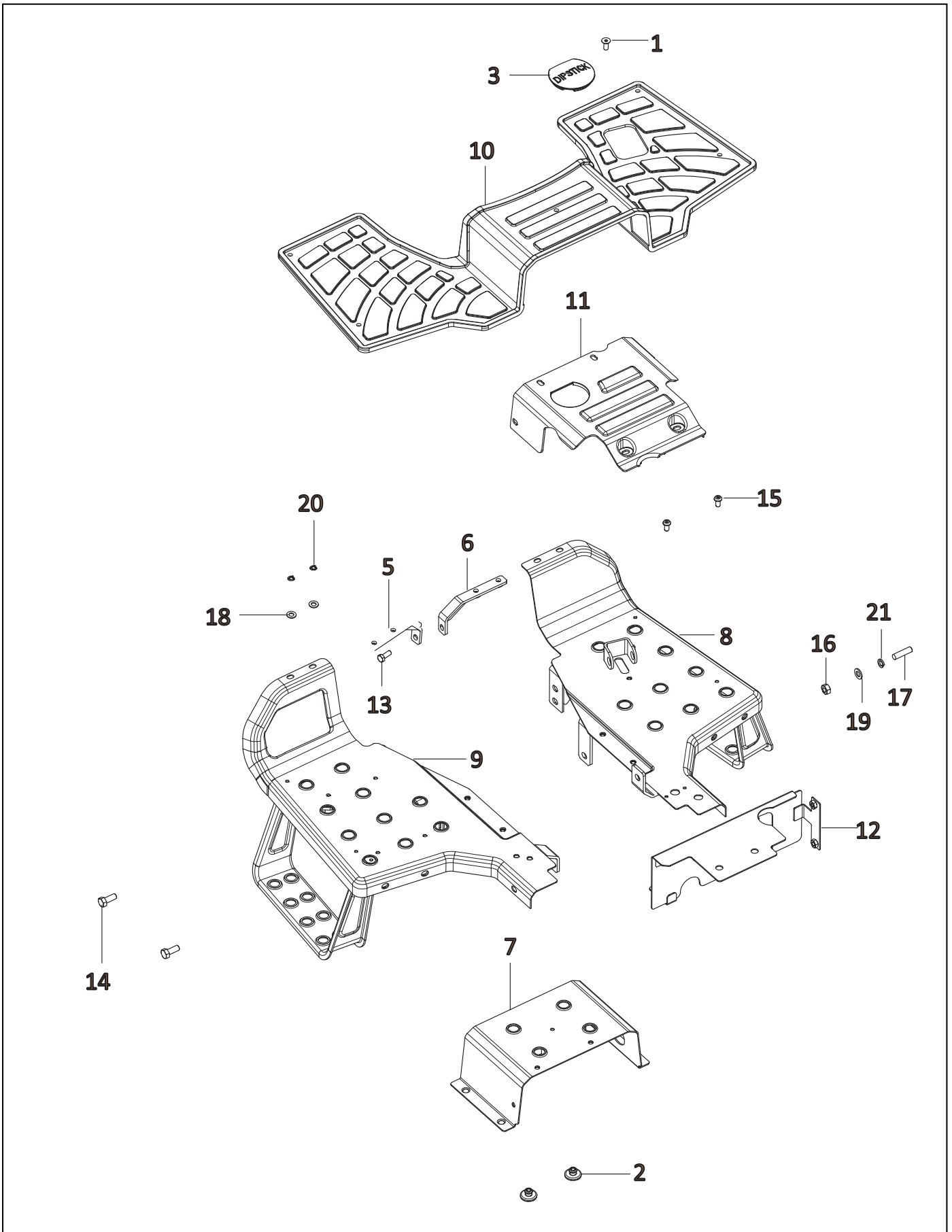


TABLE-80
BOARD RUNNING RH AND LH SUBASSEMBLY

Fig. No.	Part No.	Description	Qty
1	D10152630.9	SCREW M8X1.25X20 COUNTERSUNK SOCKET HEAD	7
2	D10562340.9	GROMMET FUEL TANK	2
3	D10570580.9	PIN PUSH RUNNING BOARD MAT	5
4	D10614820.9	CAP DIPSTICK	1
5	D10787320AB.9	BRACKET ASSEMBLY RUNNING BOARD SUPPORT FRONT LH	1
6	D10787340AB.9	BRACKET ASSEMBLY RUNNING BOARD SUPPORT FRONT RH	1
7	D10787390.9	BOARD RUNNING ASSEMBLY CENTER	1
8	D10788210AB.9	BOARD RUNNING ASSEMBLY RH	1
9	D10788280AC.9	BOARD RUNNING ASSEMBLY LH	1
10	D10790240.9	MAT RUNNING BOARD	1
11	D11559930AA.9	CONSOLE GEAR AND DIFFERENTIAL HOUSING	1
12	D11569300AA.9	COVER ASSEMBLY DRIVER SEAT FLOOR	1
13	D81500110.9	BOLT M8X1.25X20-8.8 HEX HEAD	8
14	D81502150.9	BOLT M10X1.50X25-10.9 HEX HEAD	4
15	D82501150.9	SCREW M8X1.25X16 BUTTON HEAD SOCKET CAP	2
16	D83500130.9	NUT M10X1.50-10P HEX	4
17	D84500340.9	STUD B M10X1.5X40-10.9	4
18	D85500050.9	WASHER M8 FLAT	8
19	D85500140.9	WASHER M10 FLAT	8
20	D86500030.9	WASHER M8 SPRING LOCK	6
21	D86500090.9	WASHER M10 SPRING LOCK	8

TABLE-81
SEAT DRIVER SUBASSEMBLY (EXPORT)

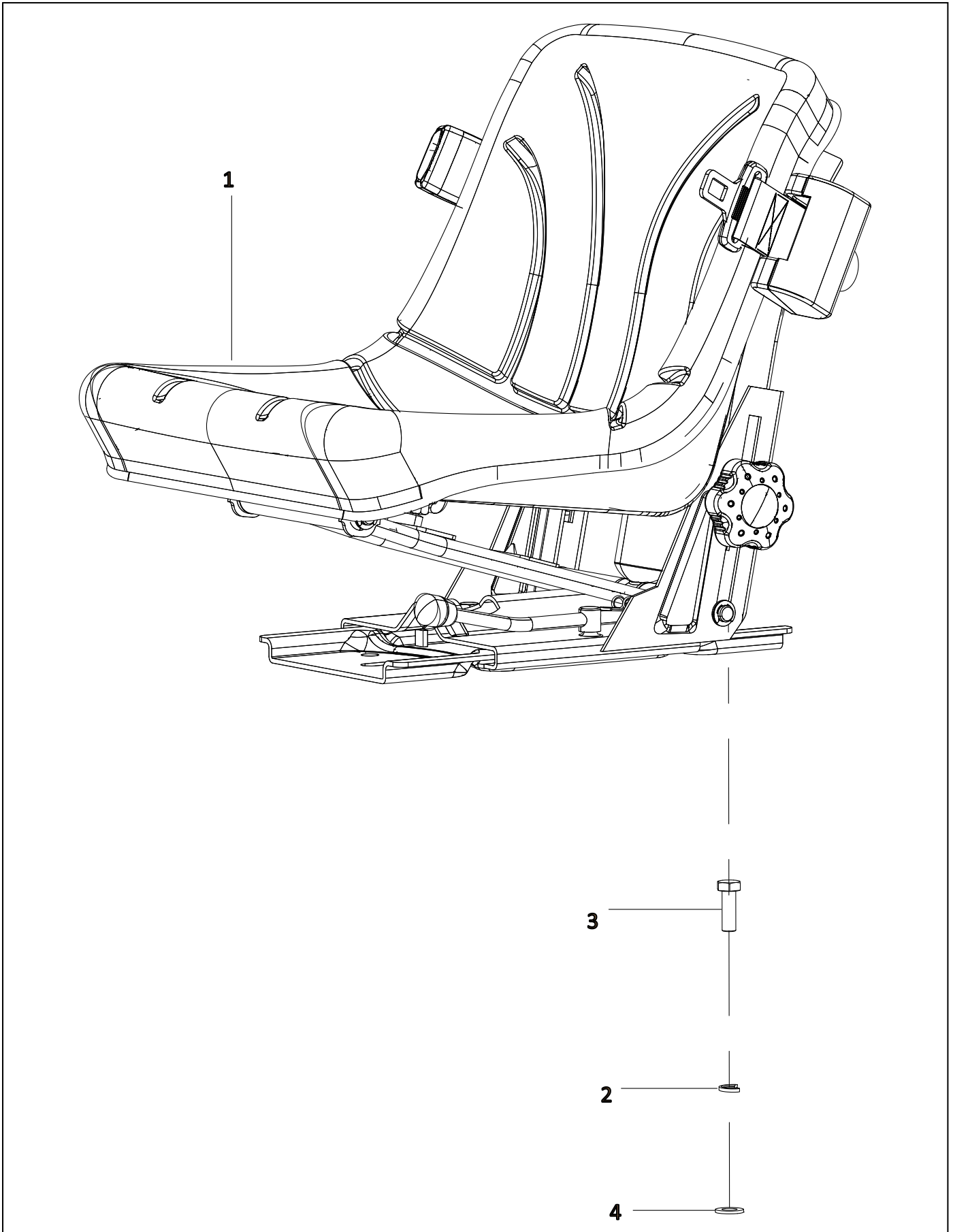


TABLE-81
SEAT DRIVER SUBASSEMBLY (EXPORT)

Fig. No.	Part No.	Description	Qty
1	D10563080AC.9	SEAT ASSEMBLY DRIVER	1
2	D86500050.9	WASHER M10 SPRING LOCK	4
3	D81500060.9	BOLT M10X1.50X30-8.8 HEX HEAD	4
4	D85500140.9	WASHER M10 FLAT	4

TABLE-82
HANGER FRONT WEIGHT AND BOLT ASSEMBLY

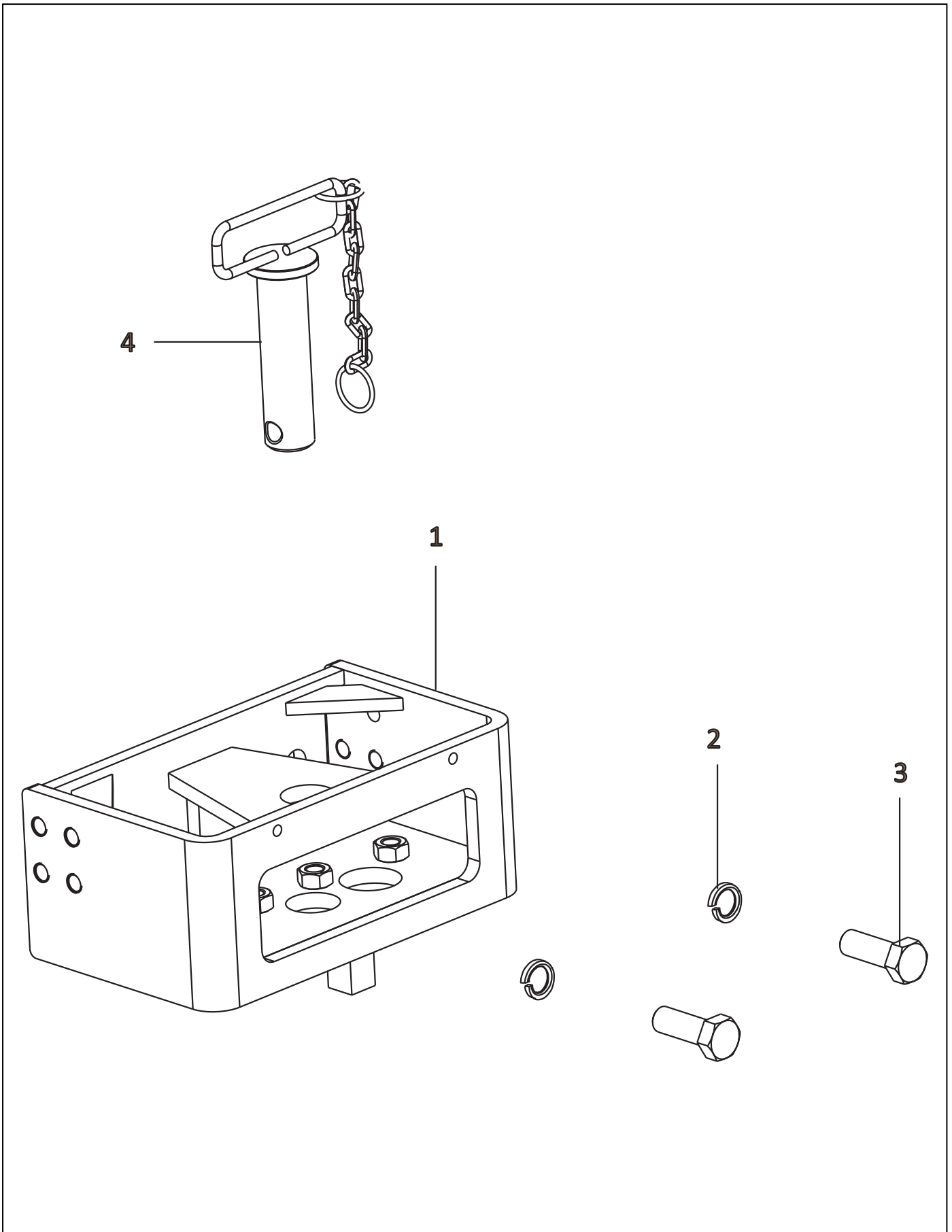


TABLE-82
HANGER FRONT WEIGHT AND BOLT ASSEMBLY

Fig. No.	Part No.	Description	Qty
1	D10891080AC.9	SUPPORT FRONT HANGER WEIGHT ASSEMBLY	1
2	D86500060.9	WASHER M16 SPRING LOCK	2
3	D81502100.9	BOLT M16X2.00X45-12.9 HEX HEAD	2
4	D10546550.9	PIN ASSEMBLY TOW HOOK FRONT	1

TABLE-83
DECAL AND BADGES MODEL IDENTIFICATION ASSEMBLY ELECTRIC (ALL VARIANTS)






































					
1	2	3	4	5	6
					
7	8	9	10	11	12
					
13	14	15	16	17	18
					
20	21	22	23	24	25
					
27	28	29	30	31	32
					
34	35	36	37	38	
					
					26

TABLE-83
DECAL AND BADGES MODEL IDENTIFICATION ASSEMBLY ELECTRIC (ALL VARIANTS)

Fig. No.	Part No.	Description	Qty
1	D10570800.9	DECAL RANGE	1
2	D10570020.9	DECAL DIFFERENTIAL LOCK	1
3	D10570050.9	DECAL PARKING BRAKE	1
4	D10570780.9	DECAL 4WD ENGAGE DISENGAGE	1
5	D10570030.9	DECAL OIL IMMersed BRAKE (RED)	1
6	D10570900.9	DECAL HYDRAULIC LIFT OPERATION INSTRUCTION	1
7	D11210570AA.9	DECAL HAND THROTTLE	1
8	D10570810.9	BADGE FRONT FARMTRAC LH	1
9	D10570820.9	BADGE FRONT FARMTRAC RH	1
10	D10570910AC.9	DECAL FARMTRAC LOGO STEERING WHEEL	1
11	D10589170AC.9	BADGE FRONT HOOD FARMTRAC	1
12	D10647910.9	DECAL SEAT BELT WARNING	1
13	D10647900.9	DECAL ROPS WARNING	1
14	D10647880.9	DECAL DANGER GEAR	1
15	D10647840.9	DECAL PTO GUARD WARNING	1
16	D10817660.9	DECAL CHARGING SOCKET	1
17	D10616510.9	DECAL RANGE GEAR SHIFT LEVER INSTRUCTION	1
18	D10820340.9	DECAL TRACTOR SAFETY INSTRUCTION	1
19	D10817680.9	DECAL HYDRAULIC PUMP ON/OFF	1
20	D10616570.9	DECAL PTO LEVER INSTRUCTION	1
21	D10817650.9	BADGE ELECTRIC POWER RH	1
22	D10817700.9	DECAL CHARGER WARNING	1
23	D10817670.9	DECAL REGENERATIVE BRAKING	1
24	D10817690.9	DECAL LIFT MODE SELECTION	1
25	D10817640.9	BADGE ELECTRIC POWER LH	1
26	D10692820.9	BADGE HP CHROME ELEMENT RH	1
27	D10692810.9	BADGE HP CHROME ELEMENT LH	1
28	D10616540.9	DECAL CLUTCH PTO	1
29	D11043260AC.9	BADGE 25G CURVE	2
30	D11043230AA.9	DECAL WARNING CHARGING SPOCKET CAP	1
31	D11043250AA.9	DECAL IGNITION SWITCH ELECTRIC	1
32	D11201050AB.9	DECAL GO GREEN	1
33	D10695920.9	BADGE 4X4	1
34	D10694240.9	DECAL TYRE PRESSURE	1
35	D11235370AA.9	DECAL HYDRAULIC OIL STRAINER SERVICE	1
36	D11222330AB.9	BADGE ELECTRIC	2
37	D11235420AA.9	DECAL ESCORTS FOR BATTERY	1
38	D11309590AA.9	DECAL SWINGING DRAW BAR	1

TABLE-84
DECAL AND BADGES (REAR PTO WITH AGRI TYRE 8*18)

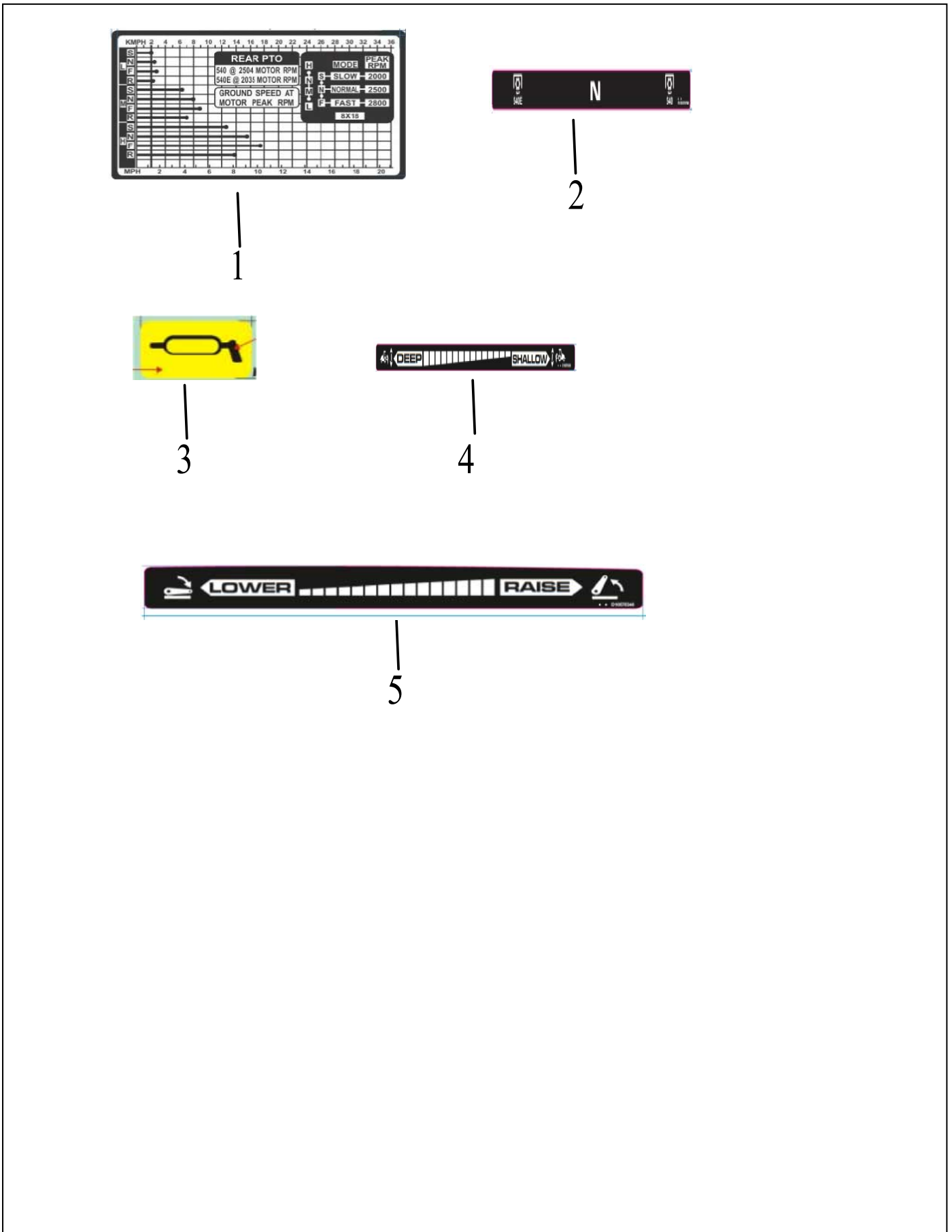


TABLE-84
DECAL AND BADGES (REAR PTO WITH AGRI TYRE 8*18)

Fig. No.	Part No.	Description	Qty
1	D11608480AA.9	DECAL SPEED CHART REAR PTO WITH AGRI TYRE	1
2	D10570790.9	DECAL PTO SPEED 540-N-540E	1
3	D10589690.9	DECAL GREASE GUN	6
4	D10570330.9	DECAL DRAFT LEVER	1
5	D10570340.9	DECAL POSITION LEVER	1

TABLE-85
DECAL AND BADGES MODEL IDENTIFICATION ASSEMBLY ELECTRIC (SOLETRAC-USA)



1

TABLE-85
DECAL AND BADGES MODEL IDENTIFICATION ASSEMBLY ELECTRIC (SOLETRAC-USA)

Fig. No.	Part No.	Description	Qty
1	D11211100AB.9	DECAL SOLECTRAC	1

TABLE-86
DECAL AND BADGES MODEL IDENTIFICATION ASSEMBLY ELECTRIC (USA)



1



2

TABLE-86
DECAL AND BADGES MODEL IDENTIFICATION ASSEMBLY ELECTRIC (USA)

Fig. No.	Part No.	Description	Qty
1	D10339690.9	RIVET 4X6.0MM (CLINCH TYPE)	4
2	D10788900.9	DECAL ROPS E MARKED	1

TABLE-87
DECAL AND BADGES MODEL IDENTIFICATION ASSEMBLY ELECTRIC (REAR SPOOL VALVE)

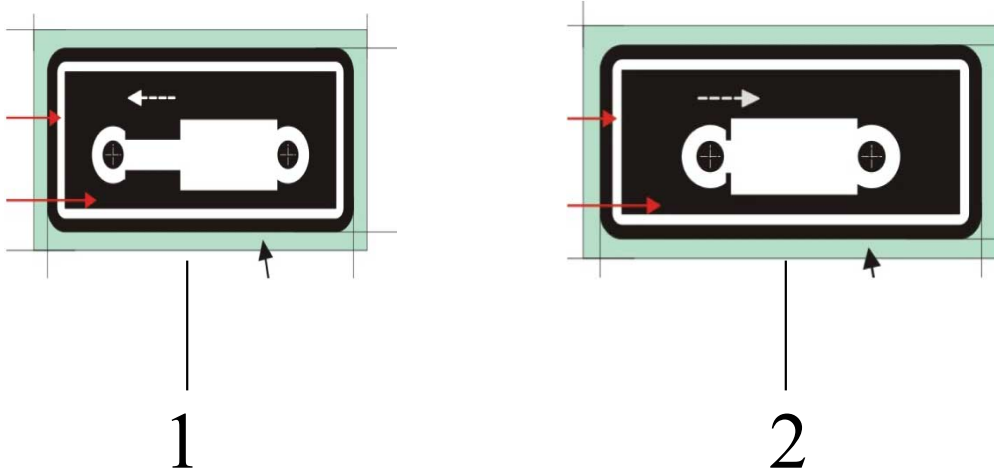


TABLE-87
DECAL AND BADGES MODEL IDENTIFICATION ASSEMBLY ELECTRIC (REAR SPOOL VALVE)

Fig. No.	Part No.	Description	Qty
1	D10588450.9	DECAL QRC CYLINDER OPEN	1
2	D10588440.9	DECAL QRC CYLINDER CLOSED	1

TABLE-90
HYDRAULIC LIFT SUBASSEMBLY (COMPACT TRACTOR)

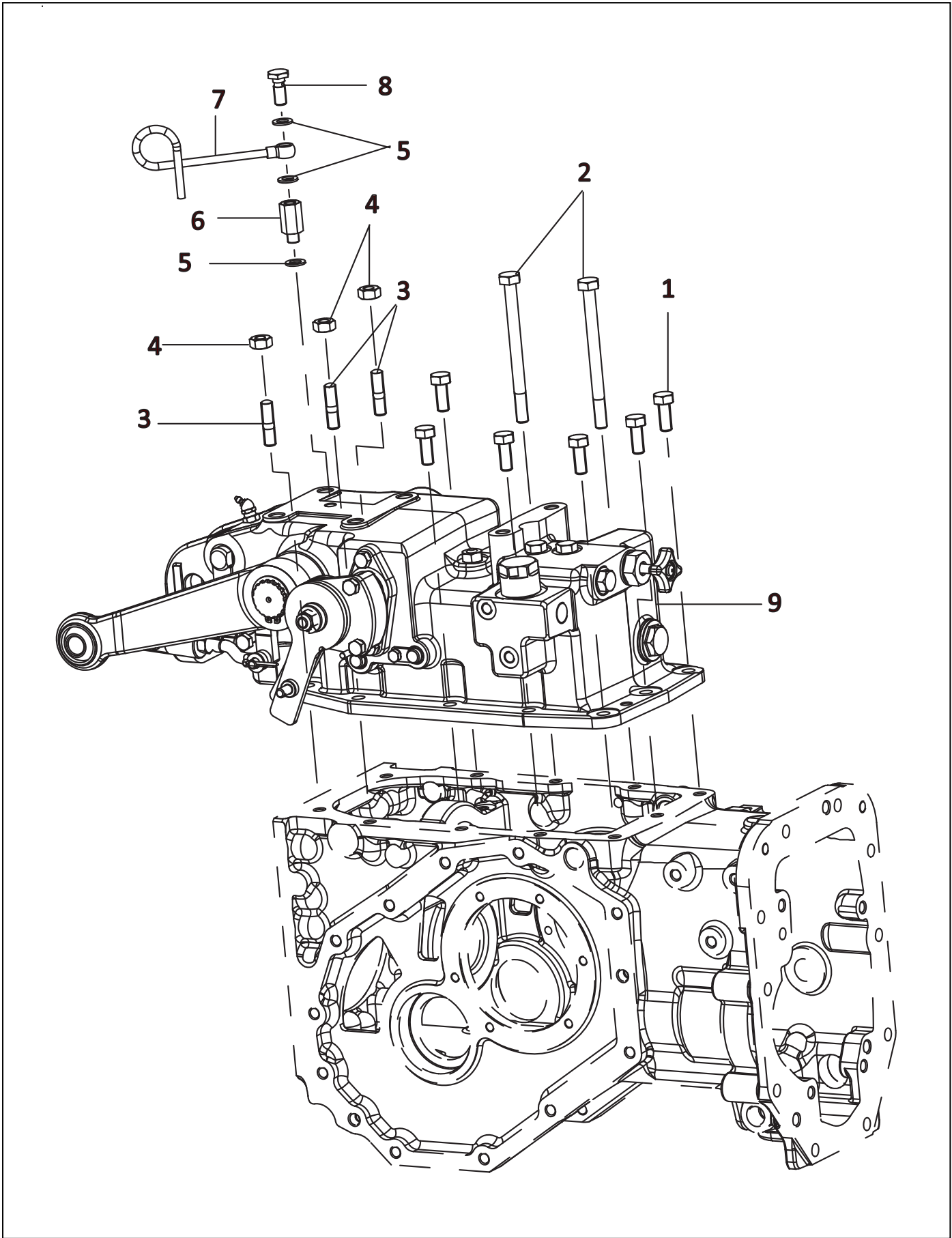


TABLE-90
HYDRAULIC LIFT SUBASSEMBLY (COMPACT TRACTOR)

Fig. No.	Part No.	Description	Qty
1	D81503300.9	BOLT M10X1.50X28-10.9 HEX HEAD	6
2	D81501790.9	BOLT M10X1.5X125-8.8	2
3	D84500340.9	STUD B M10X1.5X40-10.9	3
4	D83500130.9	NUT M10X1.50-10P HEX	3
5	D10007280.9	WASHER COPPER SEALING	3
6	D11212960AA.9	CONNECTOR M10 X 1.0 AND M10 X 1.0 STUD END	1
7	D11221980AA.9	PIPE ASSEMBLY BREATHER COMPACT	1
8	D10248190.9	BOLT PIPE UNION M10X1.0X25 HEX HEAD	1
9	D10839560AC.9	HYDRAULIC LIFT ASSEMBLY COMPACT	1
10	D95013250.9	SEALANT LIQUID ANAEROBIC (HIGHER STRENGTH)	15